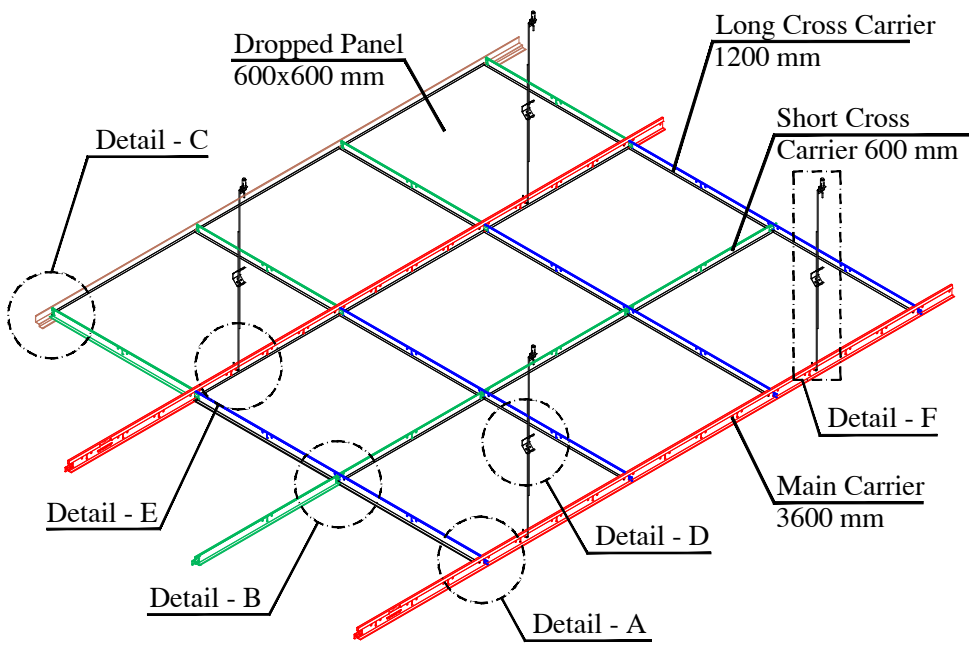
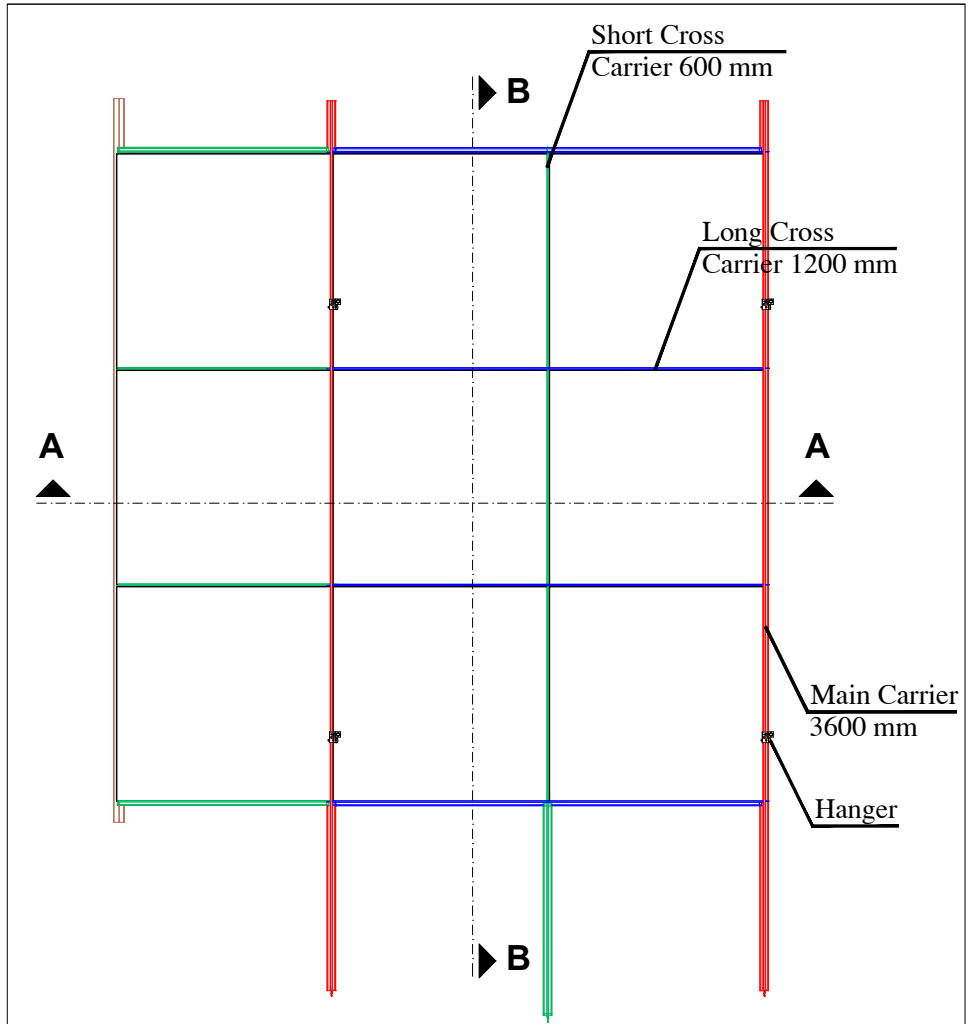


System 3D View

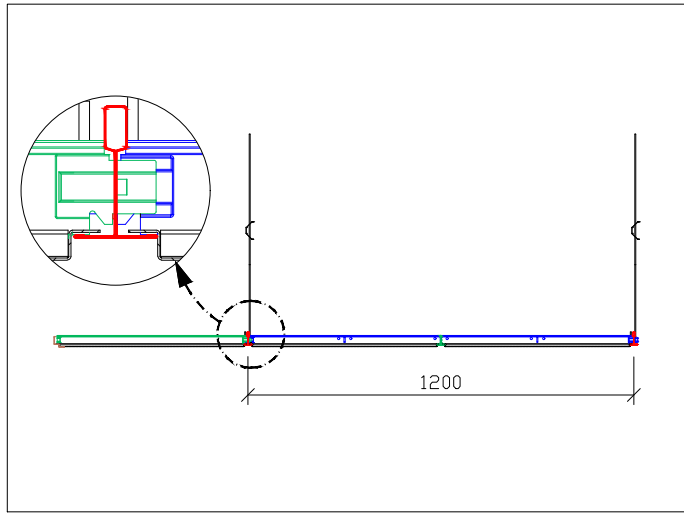


System Material	Plan	View A	View B	3D View	Position in the System
Dropped Panel 575x575x8 mm Galvanized Steel (T 0.5mm) / Aluminum (T 0.6mm) / Stainless steel (T 0.5mm)					
Main Carrier L: 3600 mm Galvanized Steel					
Long Cross Carrier L: 1200 mm Galvanized Steel					
Short Cross Carrier L: 600 mm Galvanized Steel					

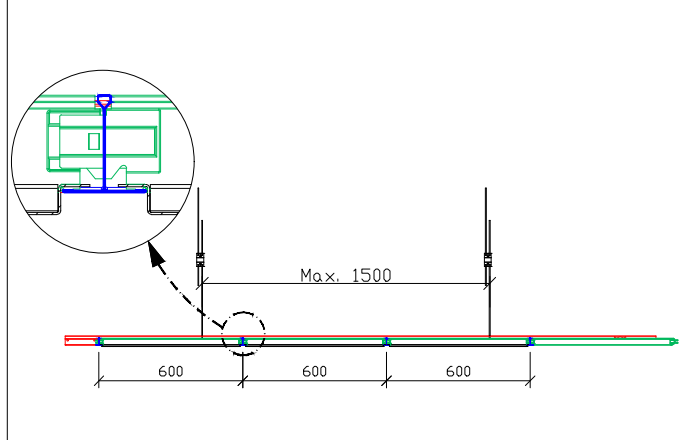
System Plan



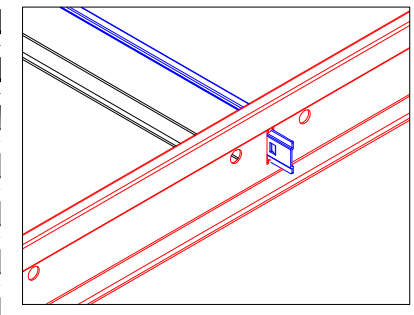
Section A-A



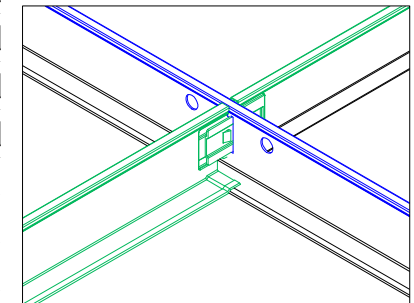
Section B-B



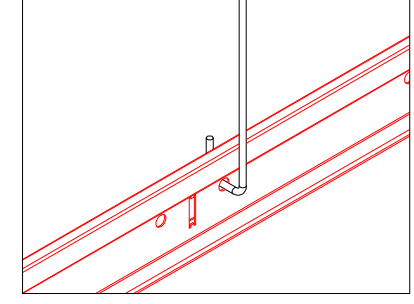
Detail A : Main Carrier to Long Cross Carrier 1200 mm Connection Detail



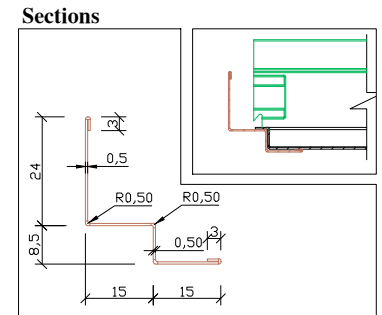
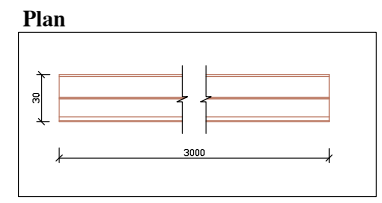
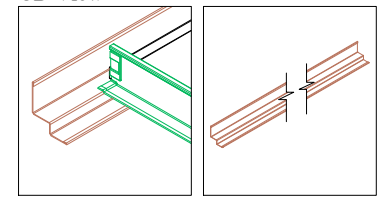
Detail B : Long Cross Carrier 1200 mm to Short Cross Carrier 600 mm Connection Detail



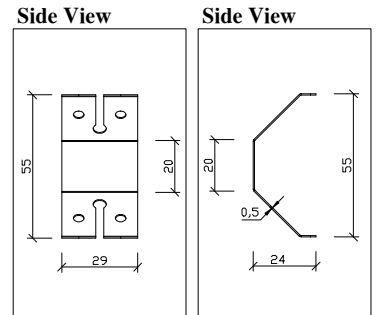
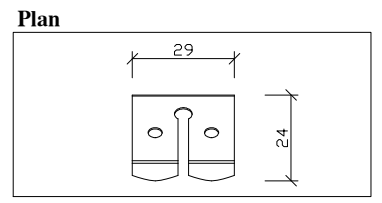
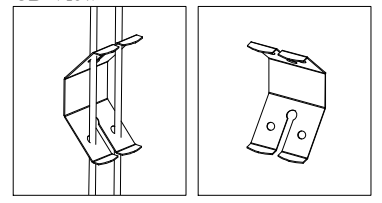
Detail E : Carriers Hanging Detail



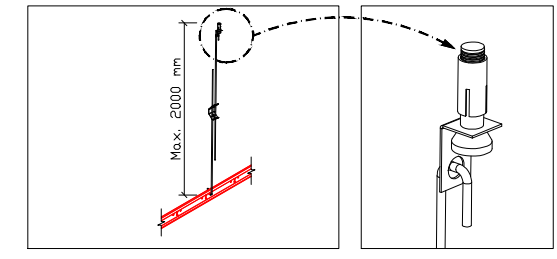
Detail C : Z Perimeter Trim (Pre-Paint Steel) 3D View



Detail D : Double Spring Clip (Spring Steel) 3D View



Detail F : Hanger Wire (Ø 4mm - Galvanized Steel)



Anchor (Steel)

