

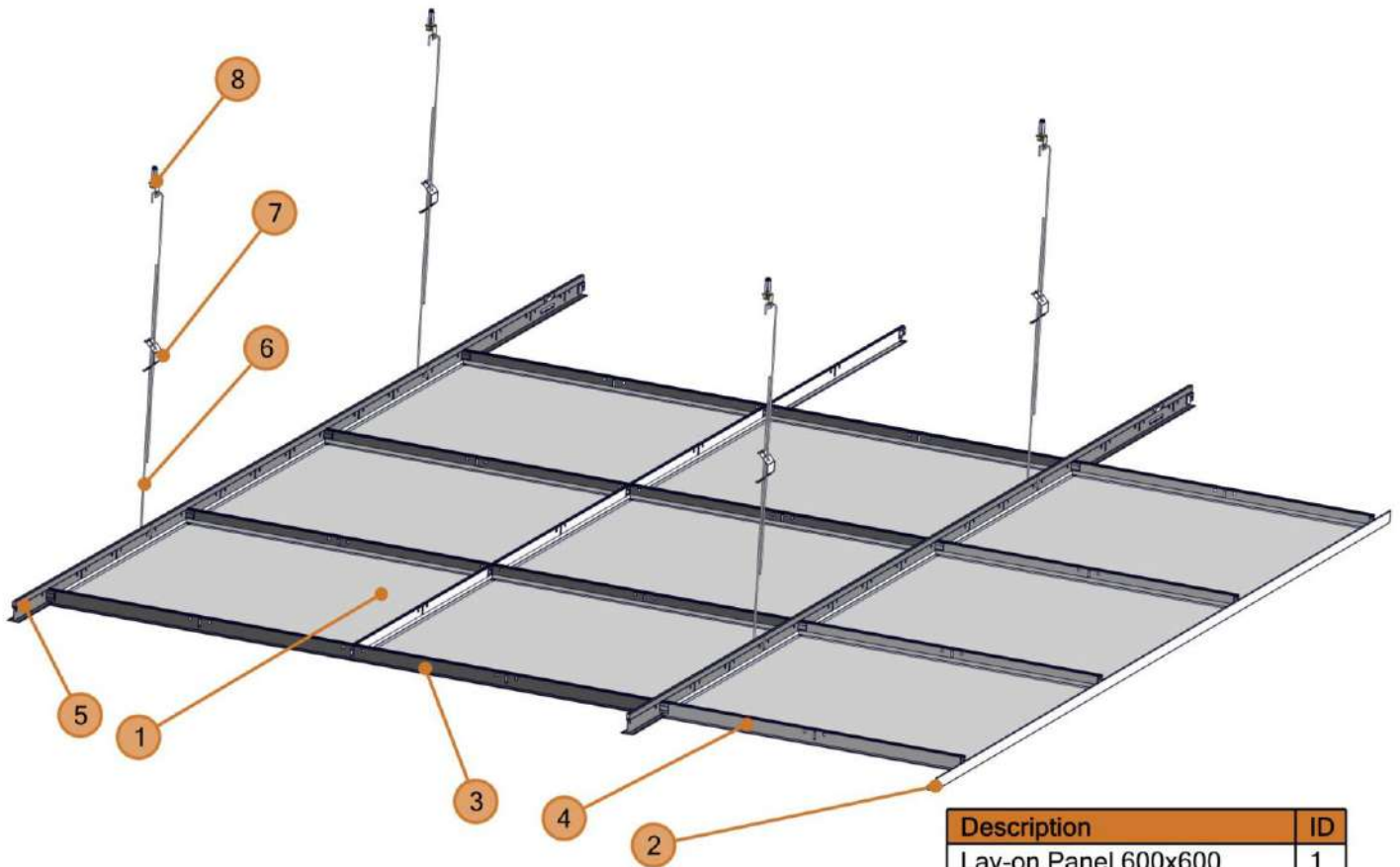


ARCHITECTURE AND DESIGN

# T24 LAY-ON SYSTEM

catalogue  
2019-2020

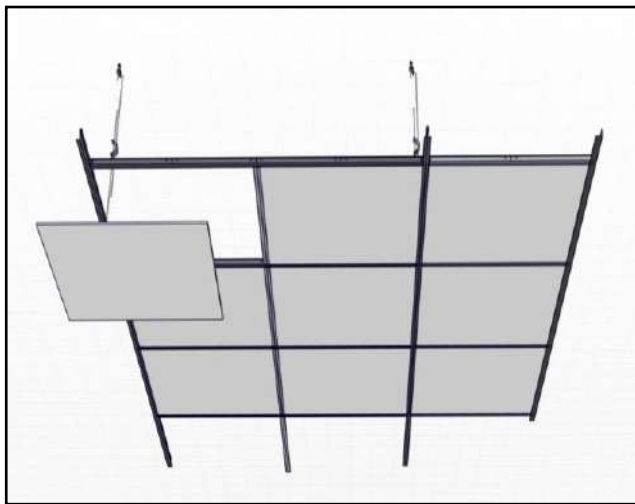
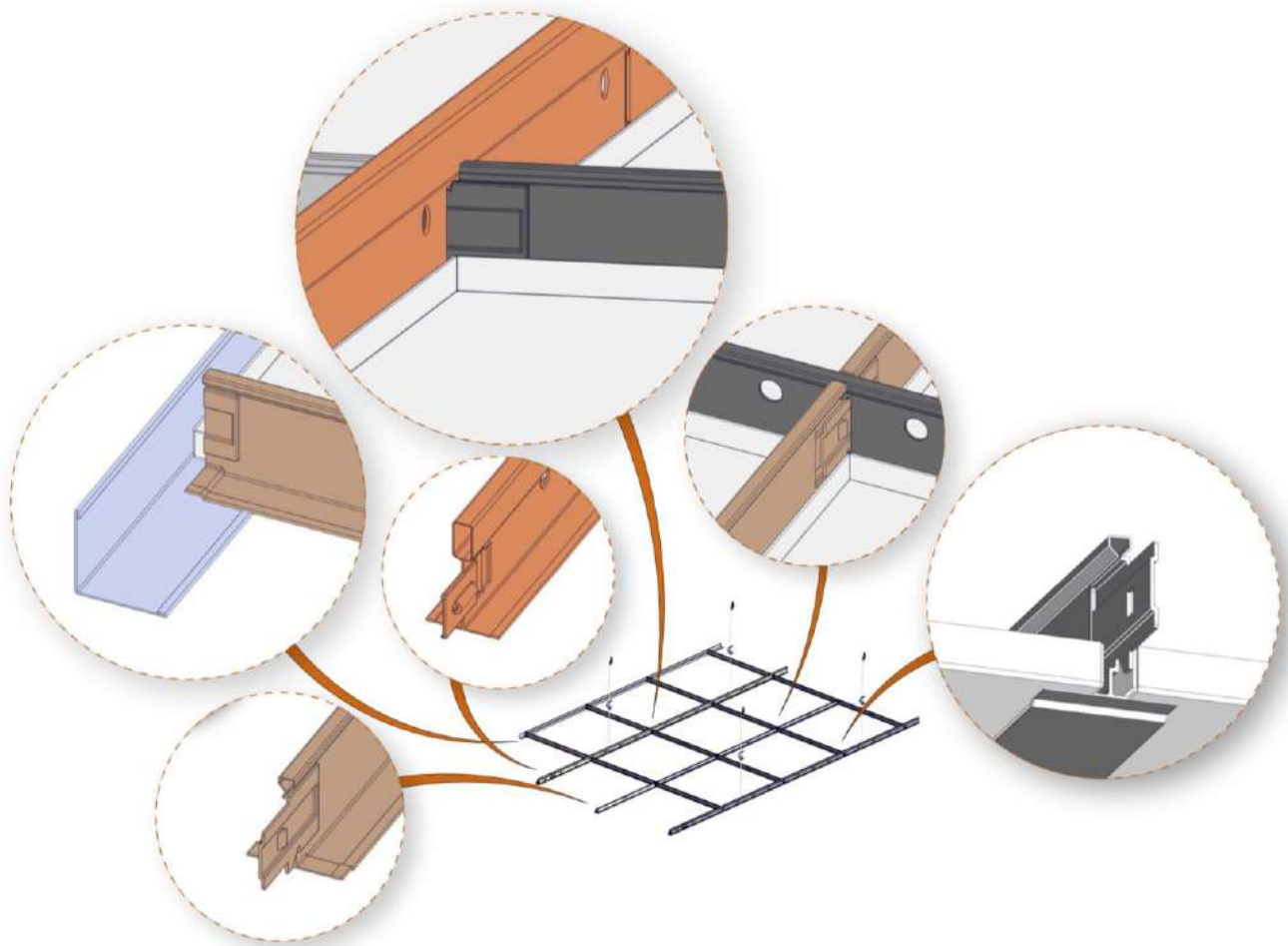
# T24 LAY-ON SYSTEM



Description	ID
Lay-on Panel 600x600	1
L Perimeter Trim	2
T24 Cross Carrier 1200 mm	3
T24 Cross Carrier 600 mm	4
T24 Main Carrier 3600 mm	5
Hanger Wire	6
Double Spring Clip	7
Anchor	8

- T-24 carrier system profiles are designed specially with their locking systems and can serve for your needs at many suspended ceilings like mineral fiber, gypsum ceilings glass wool.
- The T-24 Carrier system profiles have the capacity to carry heavy load. Also the look provided by the smooth and symmetrical lines contributes to building 's aesthetic.

# DETAIL VIEW



## HYGIENE

High performance in Blocking bacterial formation on panel surfaces by applying anti-microbial paint.

## PAINT

Prior to paint. Sensitive surface cleaning and phosphate coverage is applied. 60 minimum micron powder paint is sprayed by electrostatic system through 6 robots and cooked in a 180 meters long oven. The entire painting process takes place automatically by computer control.

## MATERIAL OPTIONS

Galvanized Steel/Aluminum / Stainless Steel

## ACOUSTIC

High acoustic performance with acoustic fleece up to  $\alpha_w$ : 1,00

## HUMIDITY

Galvanize panel: 90% RH

Aluminum panel: 100 % RH

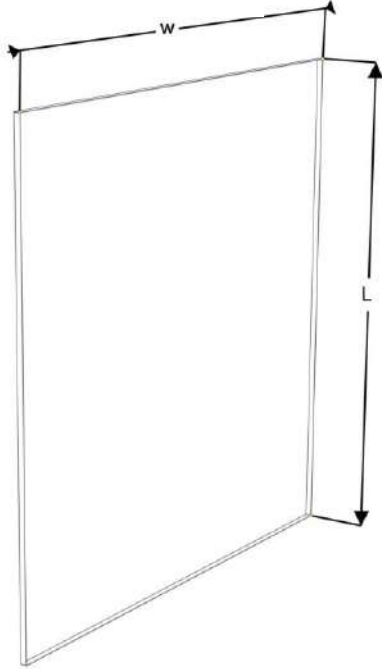
## LIGHT REFLECTION

Straight Panel: 9010 Painted % 86

Perforated Panel : 9010 Painted % 72

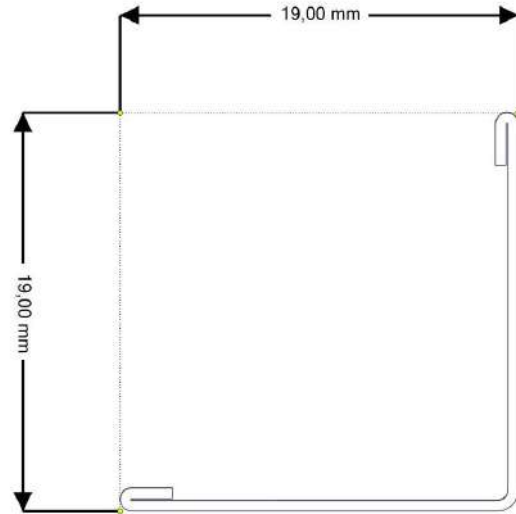
# ELEMENT SPECIFICATION

## 1. Lay-on Panel



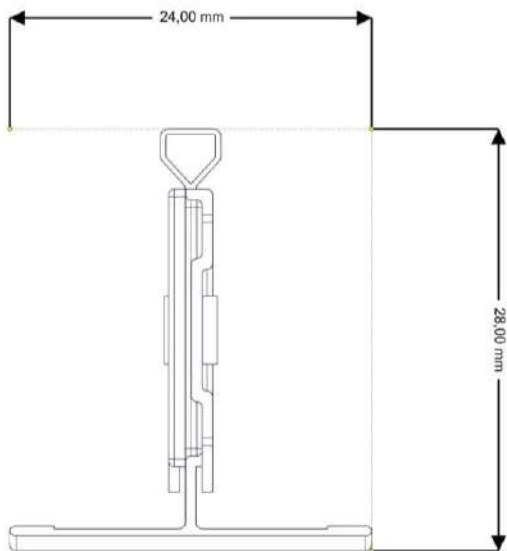
T : 0.50 mm Galvanized Steel / 0.60 mm Aluminum

## 2. L Perimeter Trim



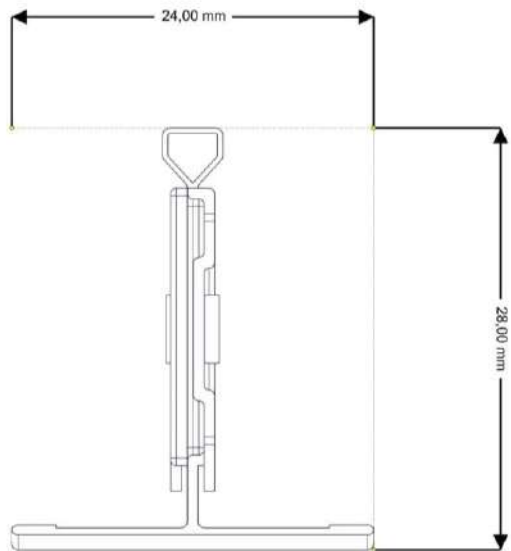
T : 0,5 mm Pre-Paint Steel  
W : 19 mm H : 19 mm L : Up to 3000 mm

## 3. T24 Cross Carrier 1200 mm



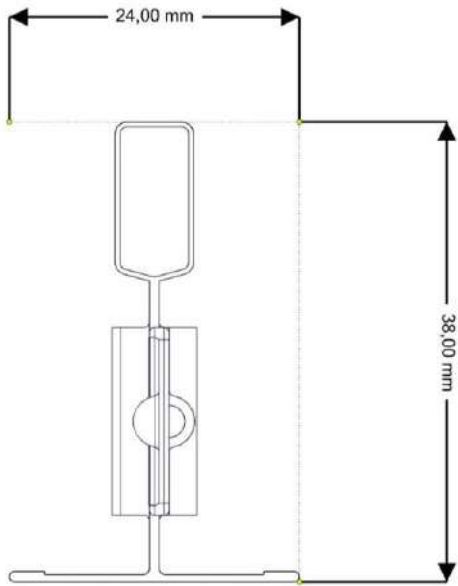
T : 0,30 mm Galvanized Steel  
W : 24 mm H : 28 mm L : 1200 mm

## 4. T24 Cross Carrier 600 mm

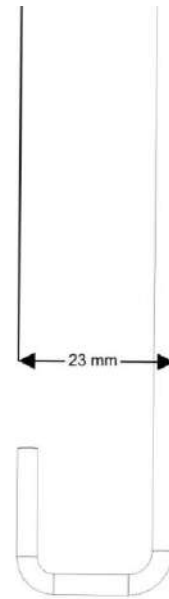


T : 0,30 mm Galvanized Steel  
W : 24 mm H : 28 mm L : 600 mm

### 5. T24 Main Carrier 3600 mm



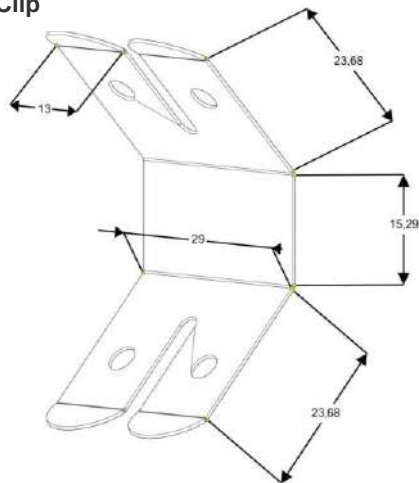
### 6. Hanger Wire



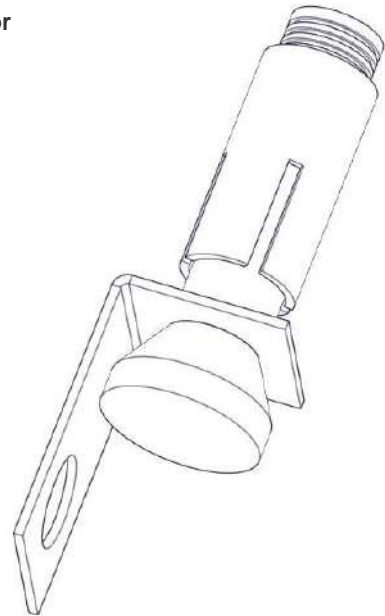
T : 0,35 mm Galvanized Steel  
W : 24 mm H : 38 mm L : 3600 mm

T : Ø 4 mm Galvanized Steel  
L : Max 2000 mm

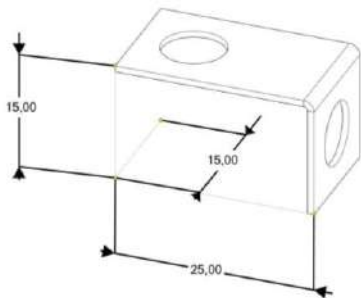
### 7. Double Spring Clip



### 8. Anchor

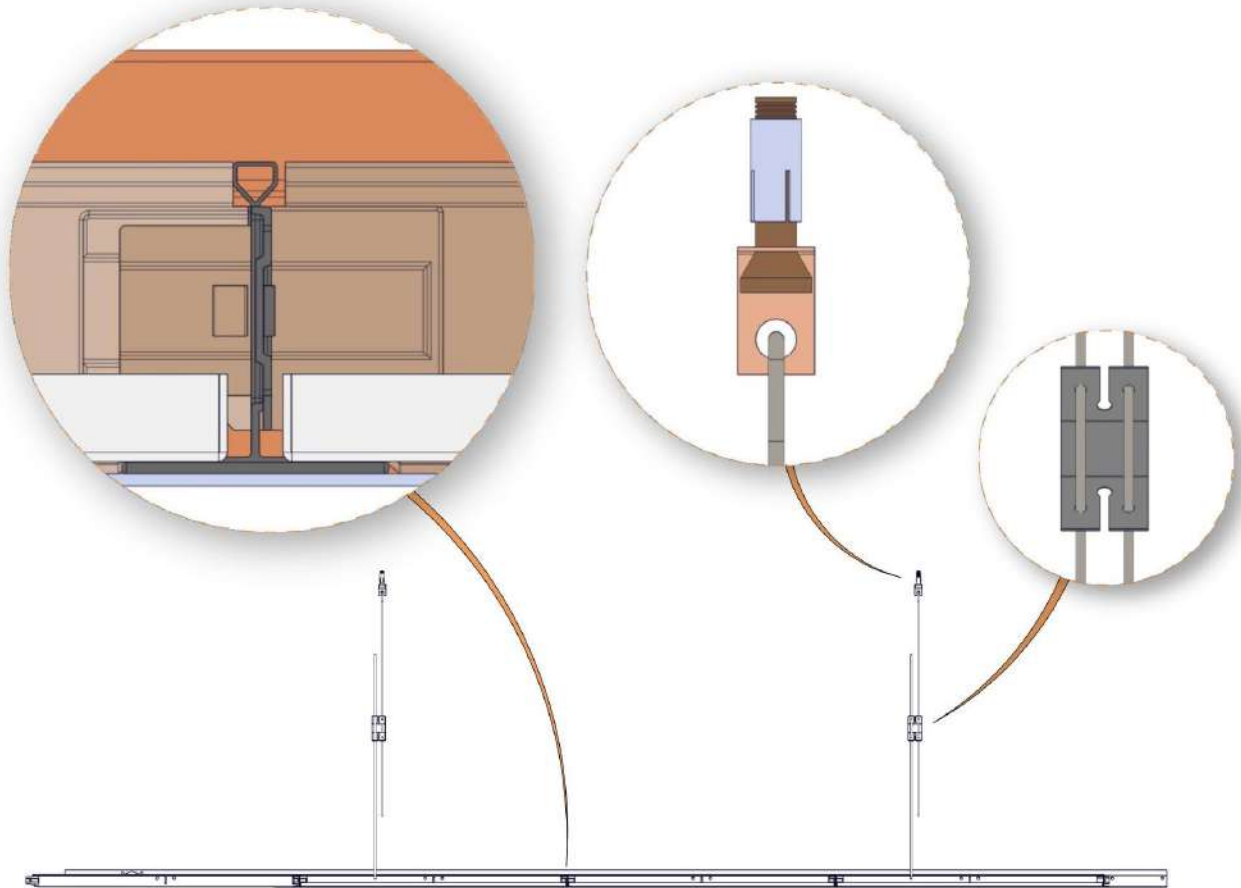
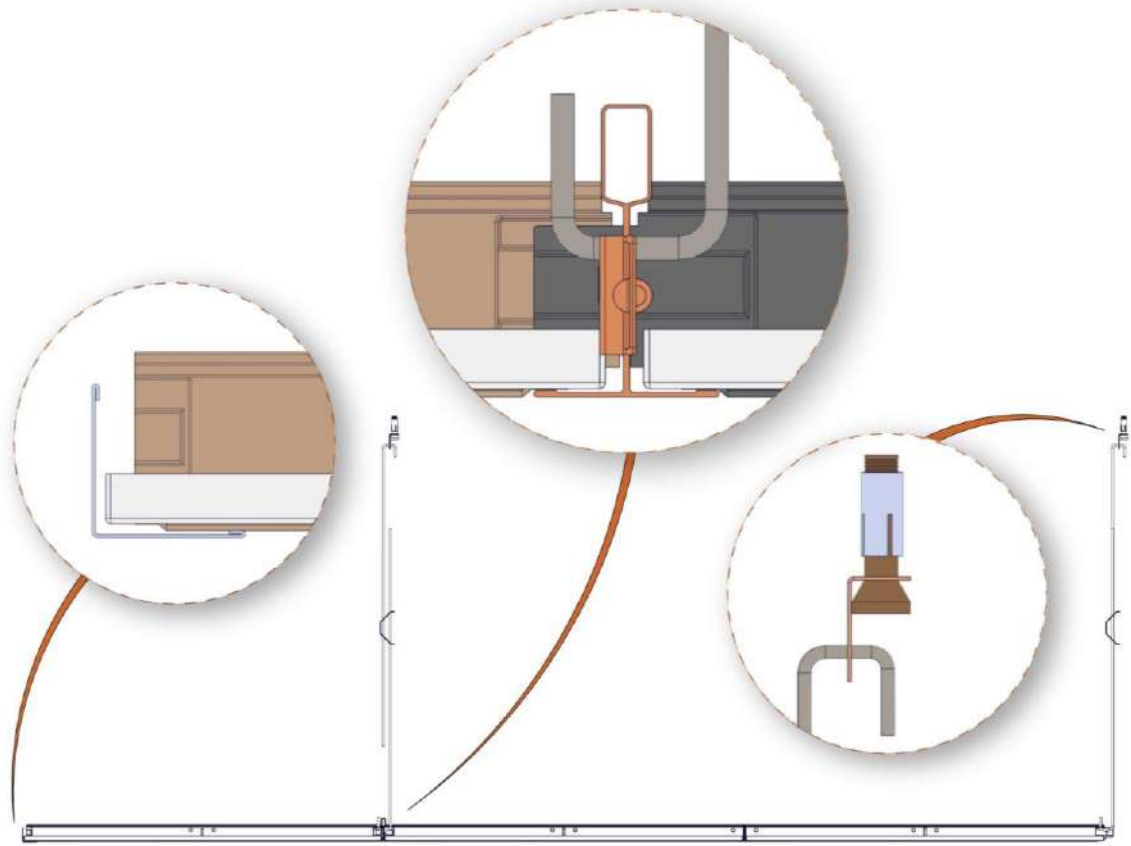


T : 0.50 mm Spring Steel



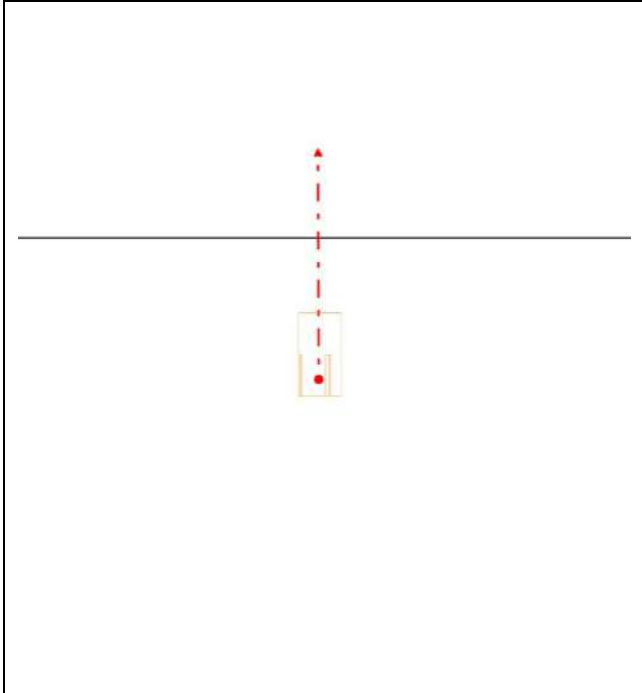
T : 0,8 mm / 2 mm / Ø 8 mm Galvanized Steel

# DETAIL SECTION

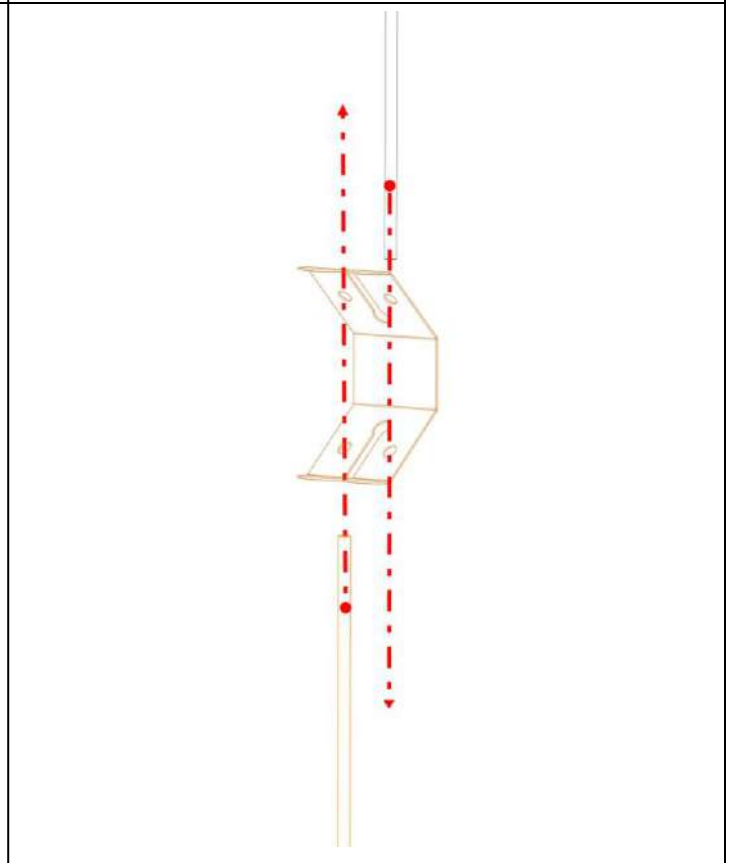
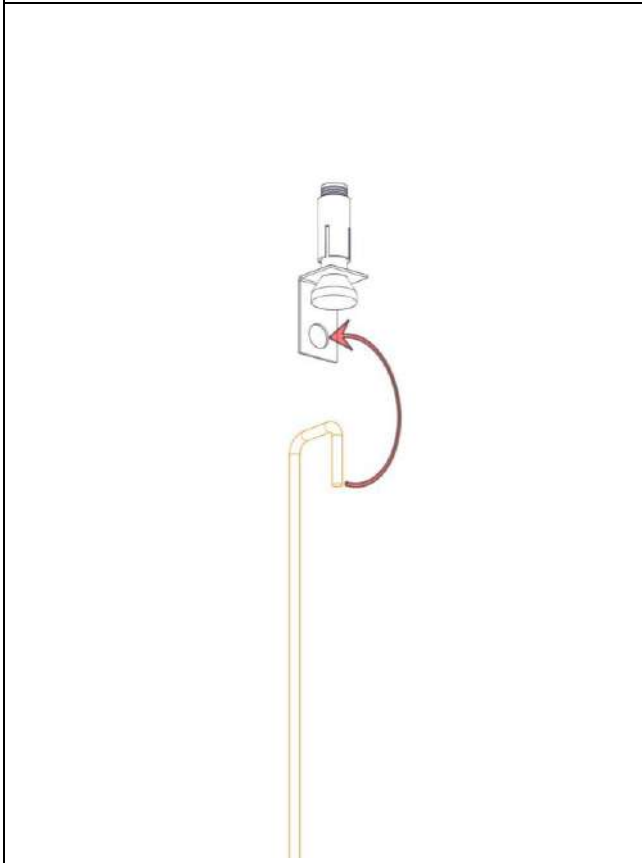
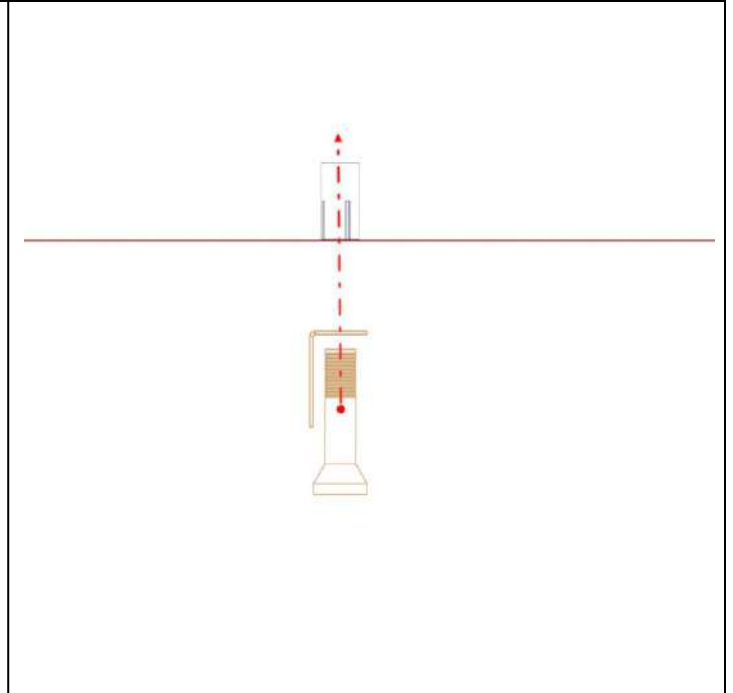


# ASSEMBLY TECHNIQUE

STEP 1.



STEP 2.

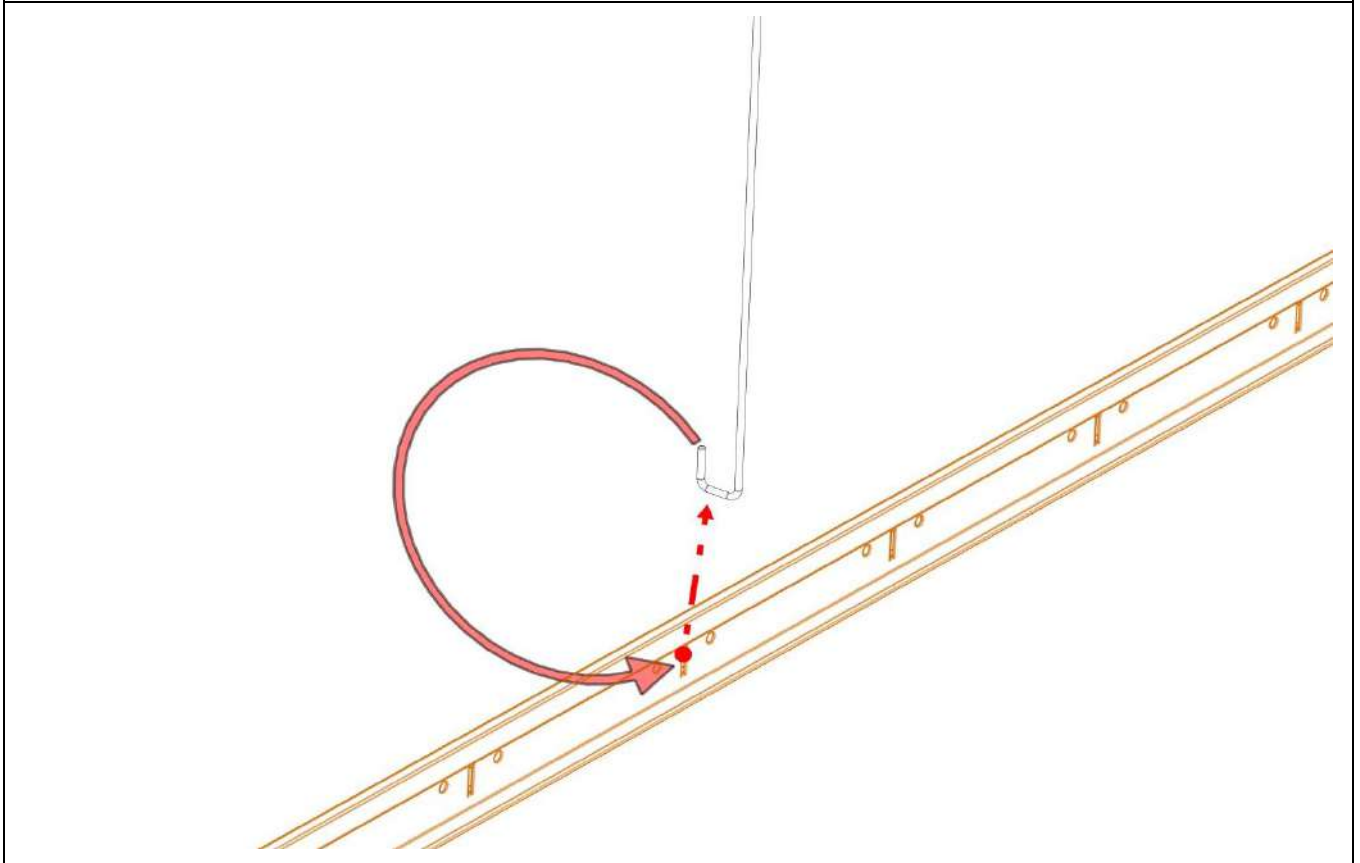
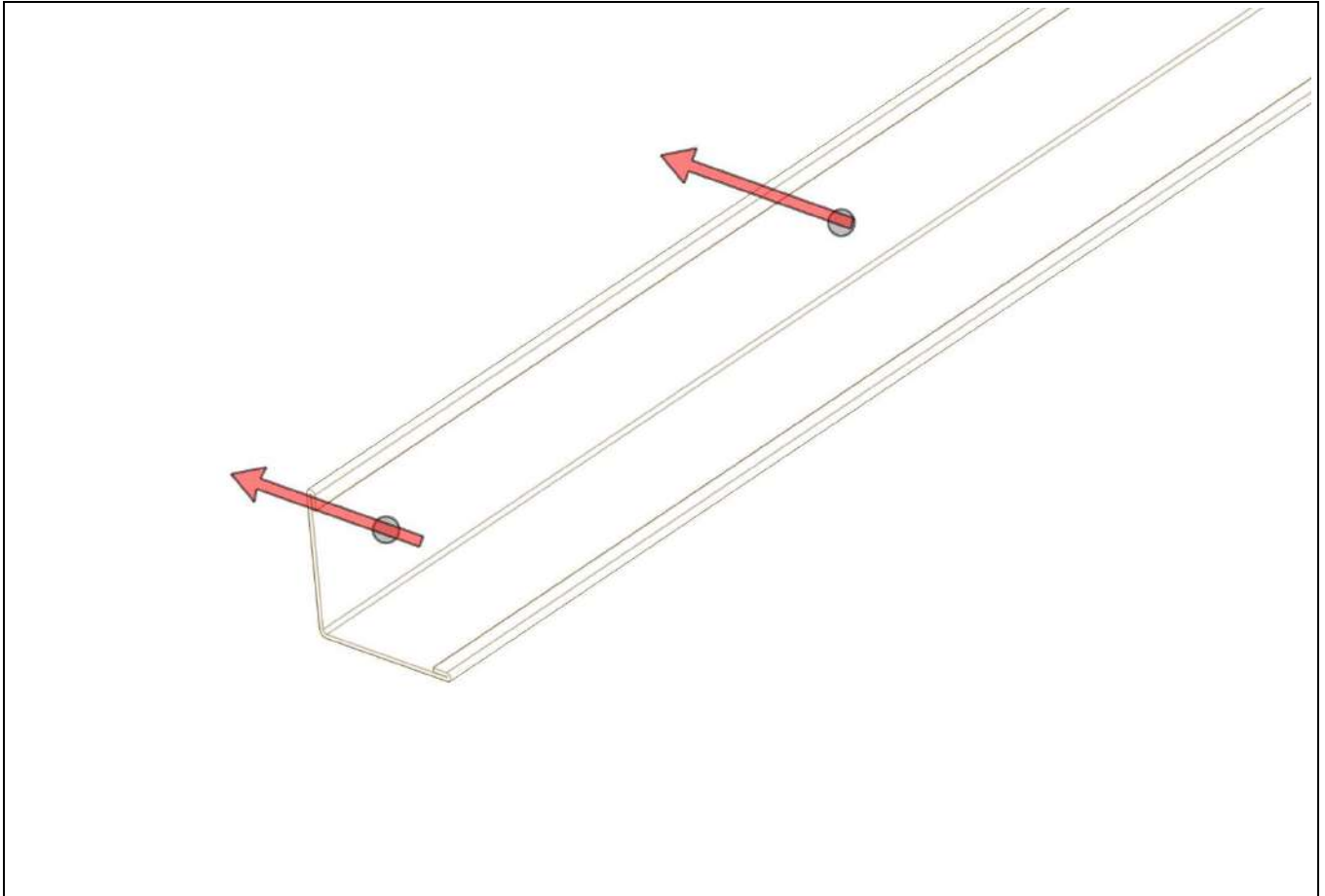


STEP 3.

STEP 4.



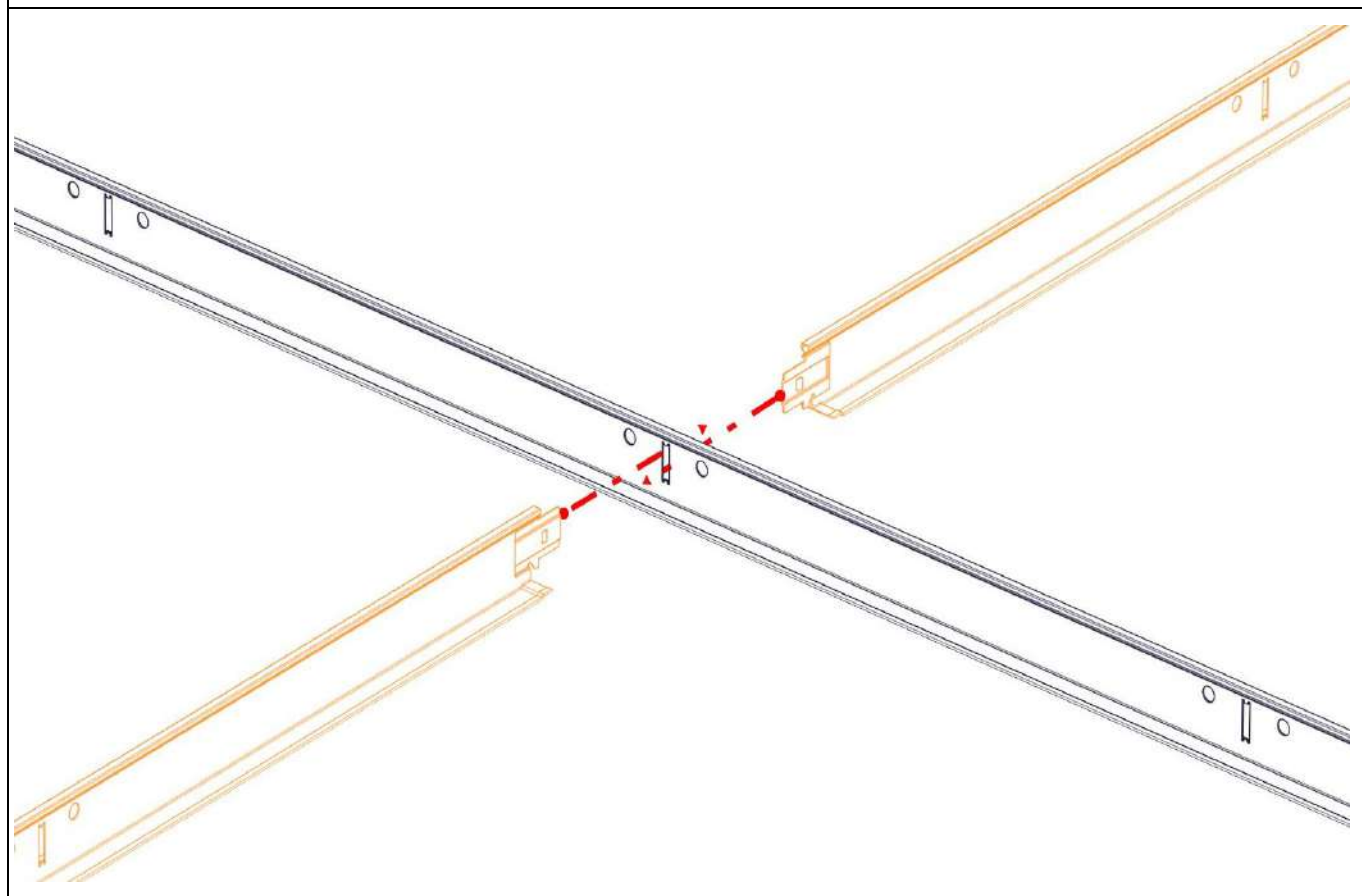
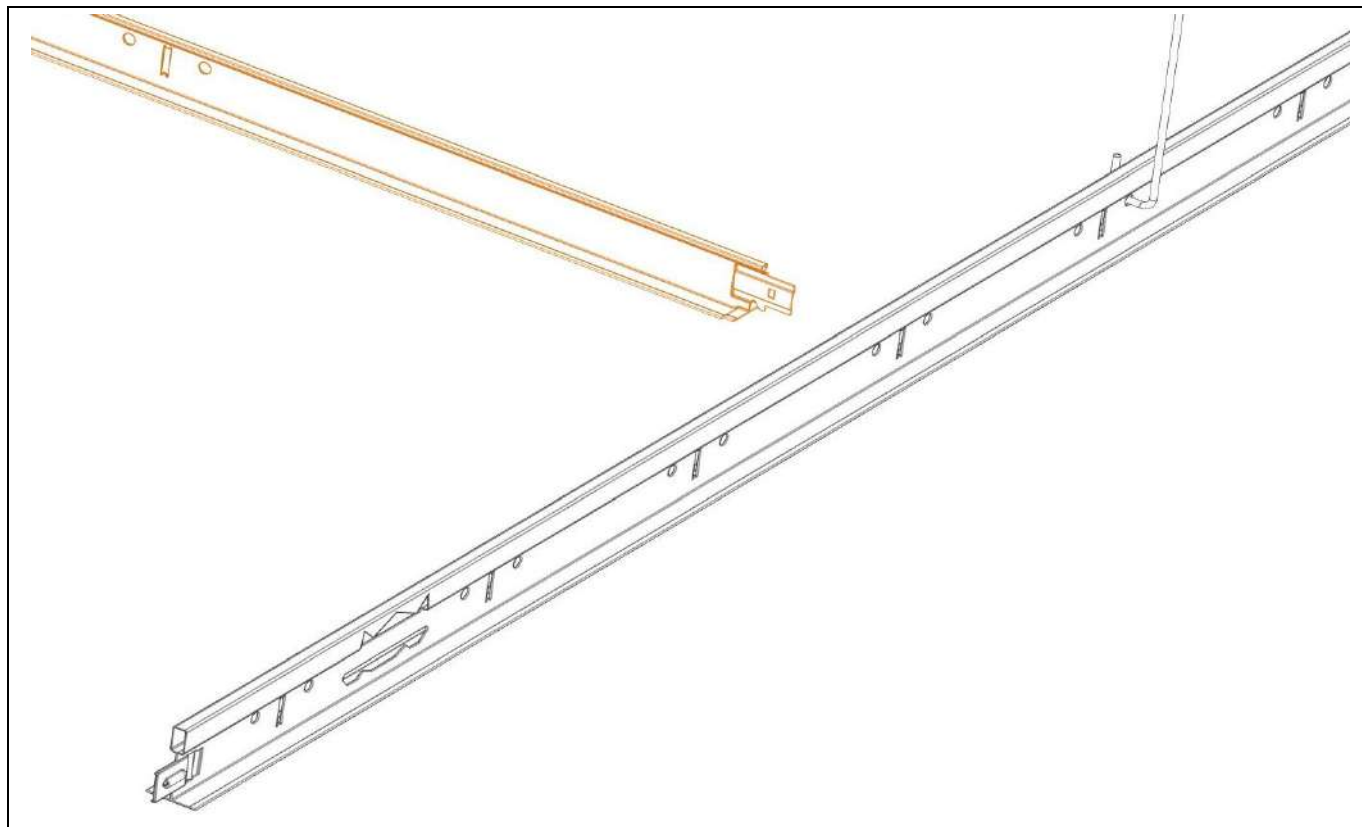
STEP 5.



STEP 6.



STEP 7.



STEP 8.

STEP 9.

