

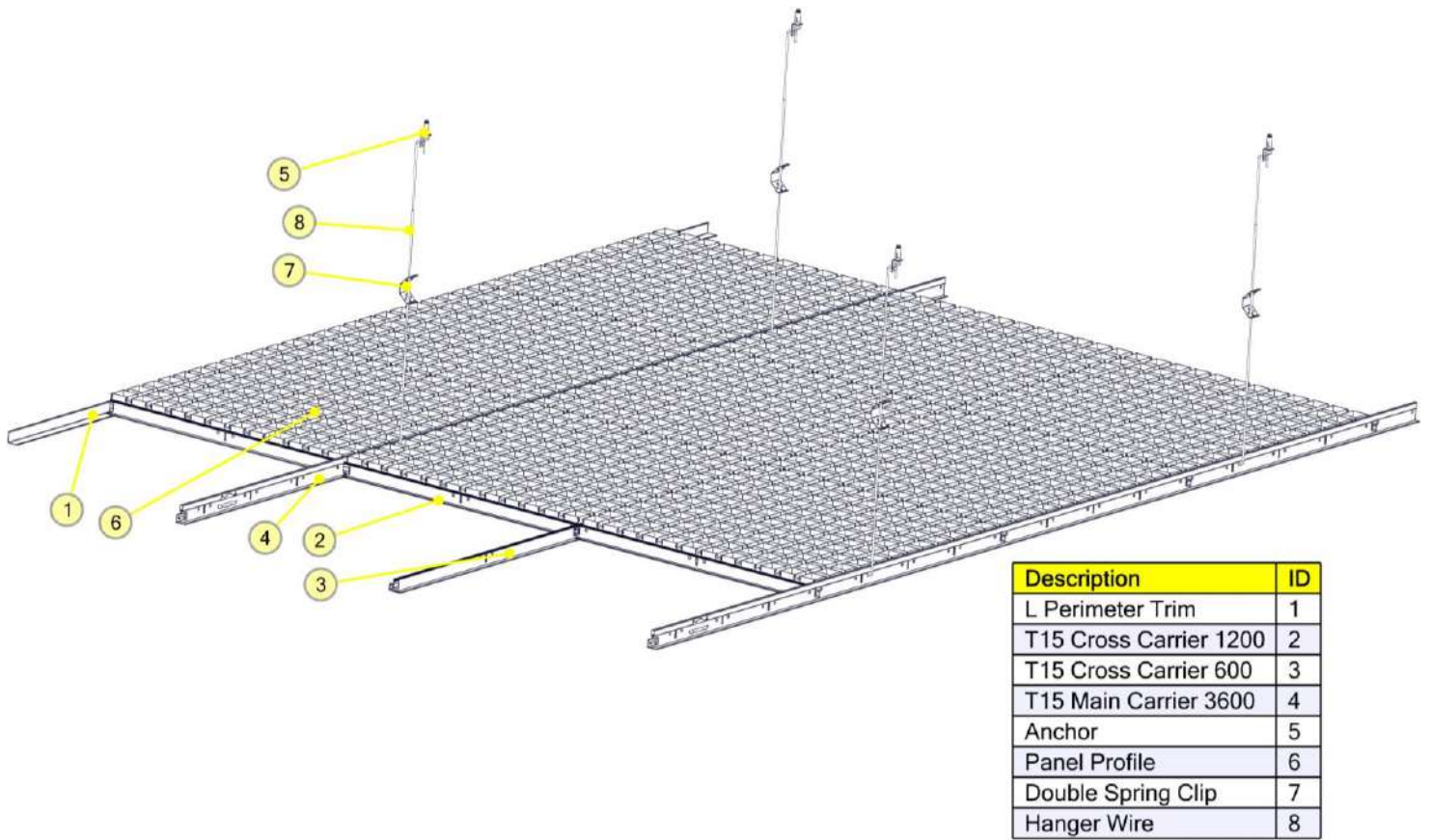
YEKMON

ARCHITECTURE AND DESIGN

OPENCELL T15 SYSTEM

catalogue
2019-2020

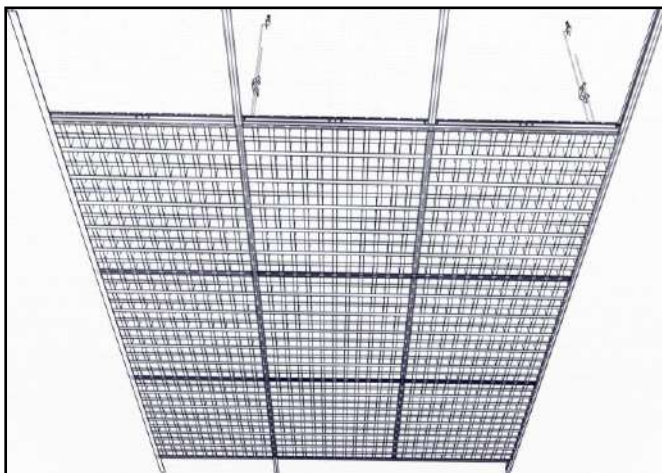
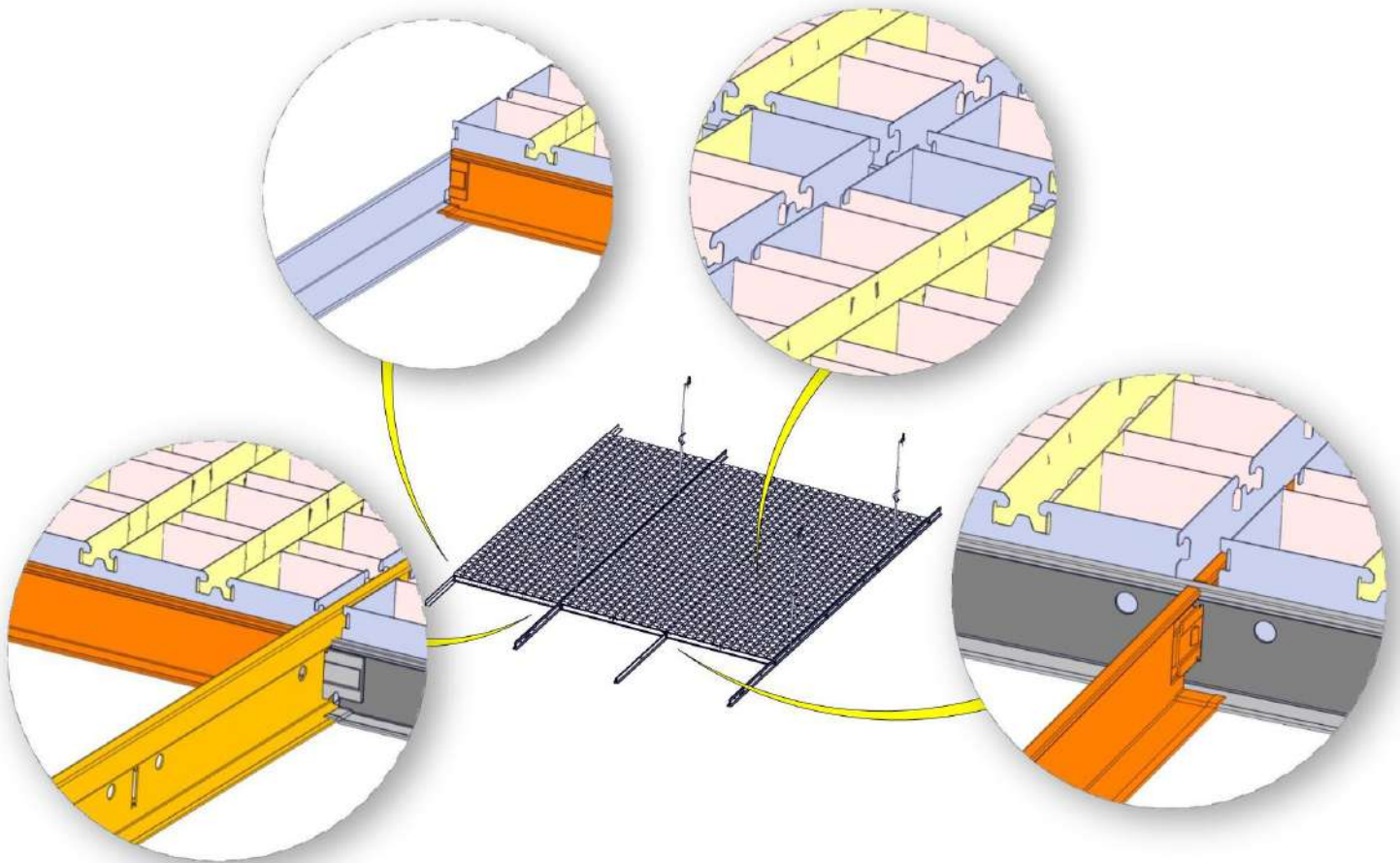
OPENCELL T15 SYSTEM



To have openness, transparency and modernity in ceiling appearance open cell systems are preferred with the alternatives of cell size system is suitable at different scale areas. Because the system is cell-formed, it allows air circulation behind the ceiling. System allows varied light fixture application so that it provides different design alternatives for projects.

Cell Size Alternatives : 200 mm - 150 mm - 100 mm - 50 mm

DETAIL VIEW



MATERIAL OPTIONS

Galvanized Steel/Aluminum

ACOUSTIC

No acoustic performance

HUMIDITY

Galvanize panel: 90% RH

Aluminum panel: 100 % RH

LIGHT REFLECTION

Straight Panel: 9010 Painted % 86

Perforated Panel : 9010 Painted % 72

HYGIENE

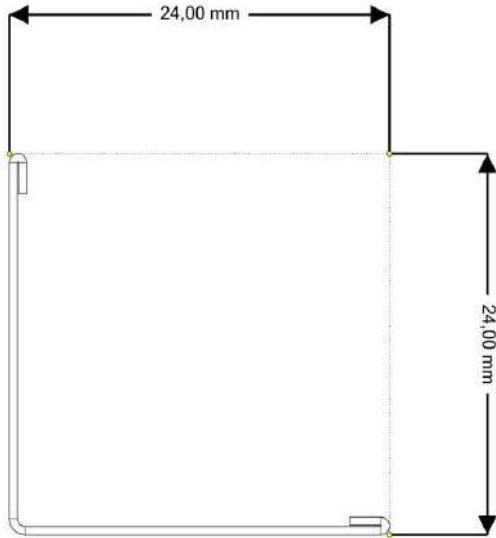
High performance in Blocking bacterial formation on panel surfaces by applying anti-microbial paint.

PAINT

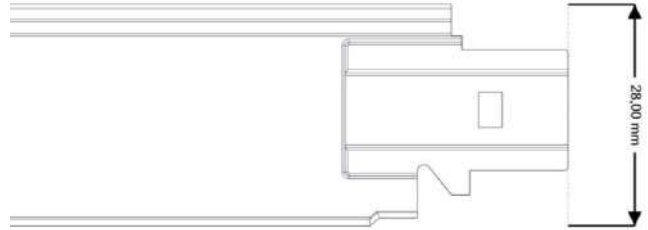
Prior to paint. Sensitive surface cleaning and phosphate coverage is applied.60 minimum micron powder paint is sprayed by electrostatic system through 6 robots and cooked in a 180 meters long oven. The entire painting process takes place automatically by computer control.

ELEMENT SPECIFICATION

1. L Perimeter Trim



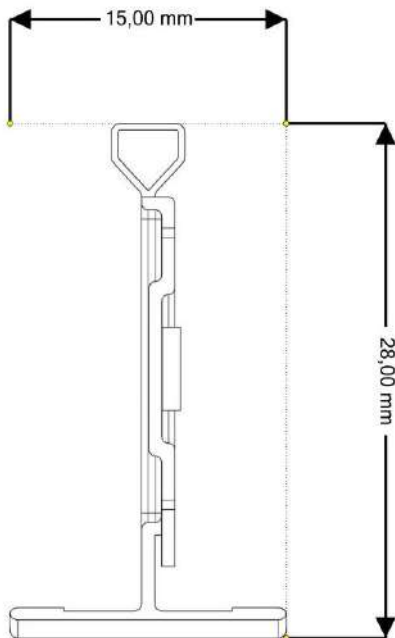
2. T15 Cross Carrier



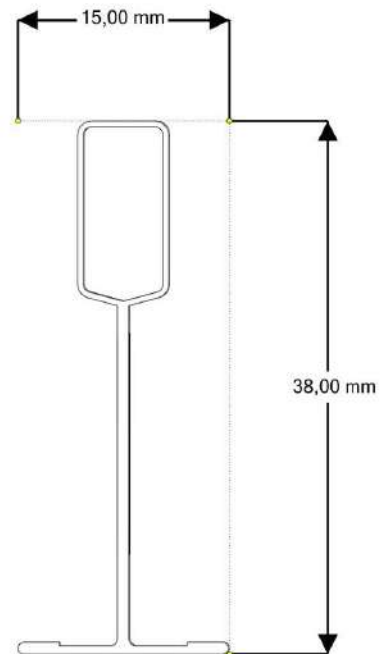
T : 0,5 mm Pre-Paint Steel
W : 24 mm H : 24 mm L : Up to 3000 mm

T : 0,30 mm Galvanized Steel
W : 15 mm H : 28 mm L : 1200 mm

3. T15 Cross Carrier



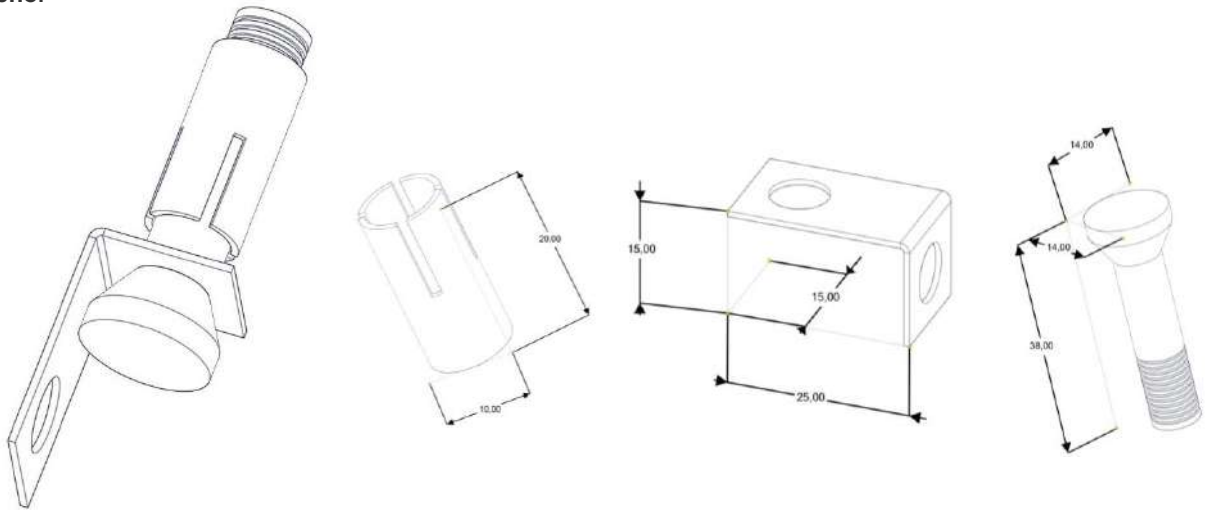
4. T15 Main Carrier



T : 0,30 mm Galvanized Steel
W : 15 mm H : 28 mm L : 600 mm

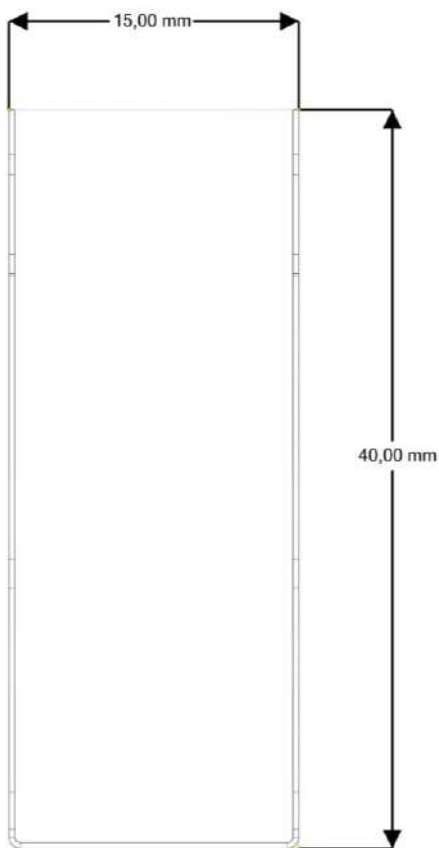
T : 0,35 mm Galvanized Steel
W : 15 mm H : 28 mm L : 3600 mm

5. Anchor



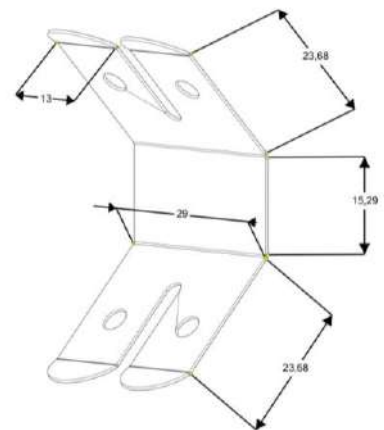
T : 0,2 mm / 0,8 mm / Ø 8 mm Galvanized Steel

6. Panel Profile



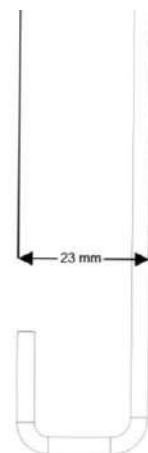
T : 0,40 mm Aluminum Steel
W : 15 mm H : 40 mm L : 600 mm

7. Double Spring Clip



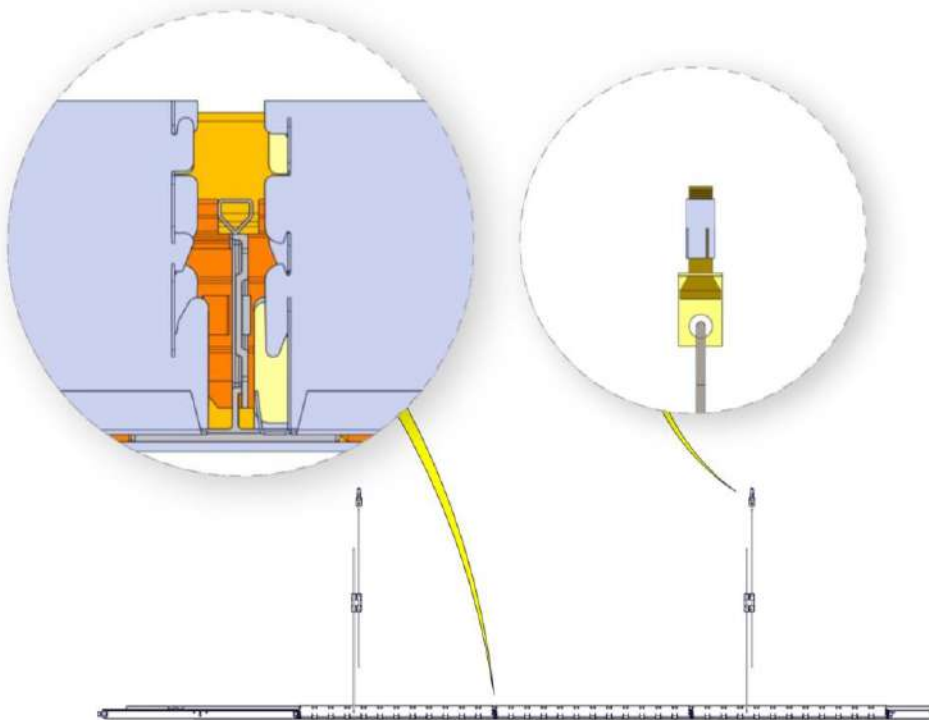
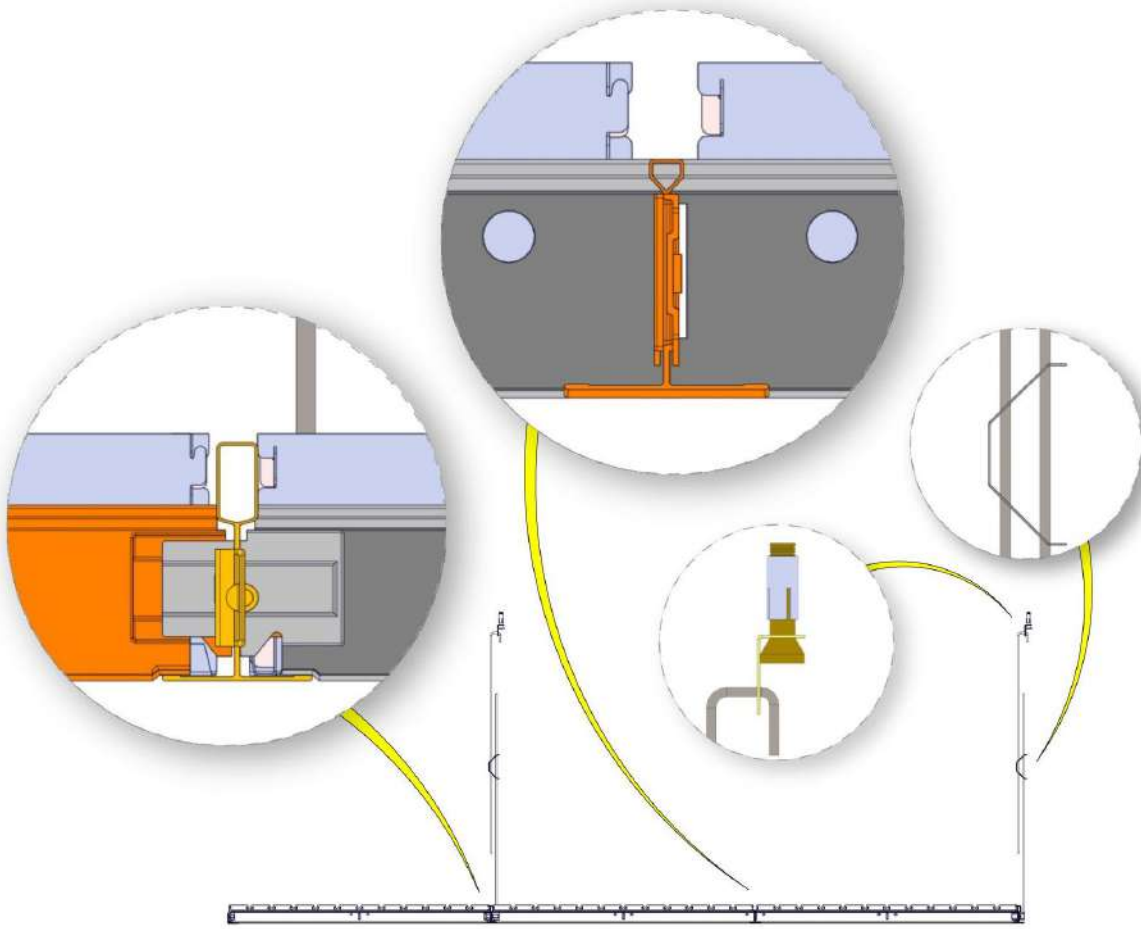
T : 0.50 mm Spring Steel

8. Hanger Wire

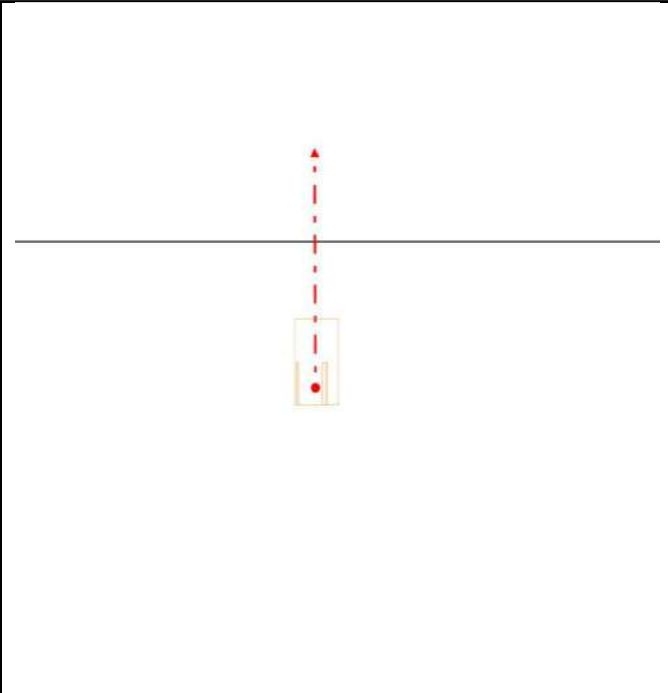


T : Ø 4 mm Galvanized Steel
L : Max 2000 mm

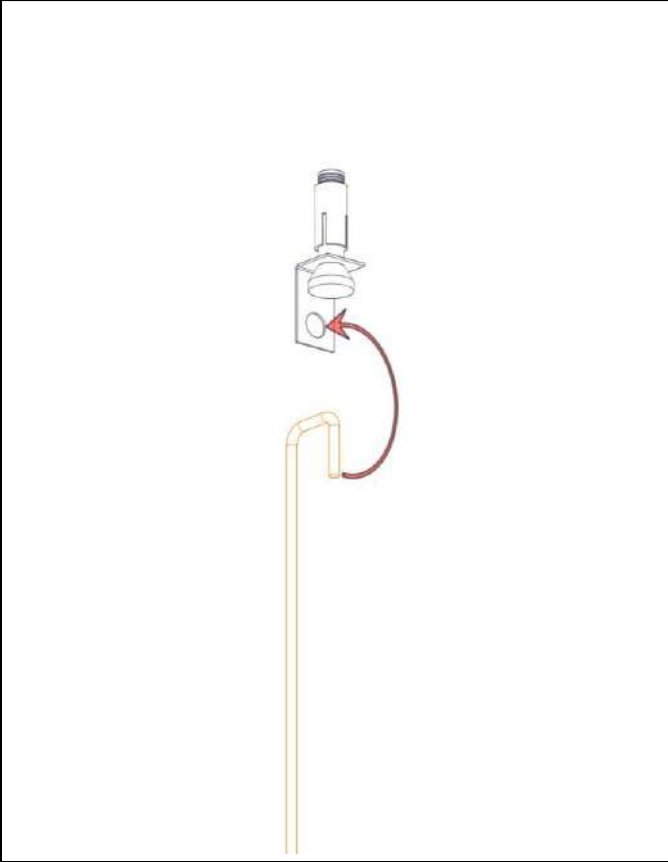
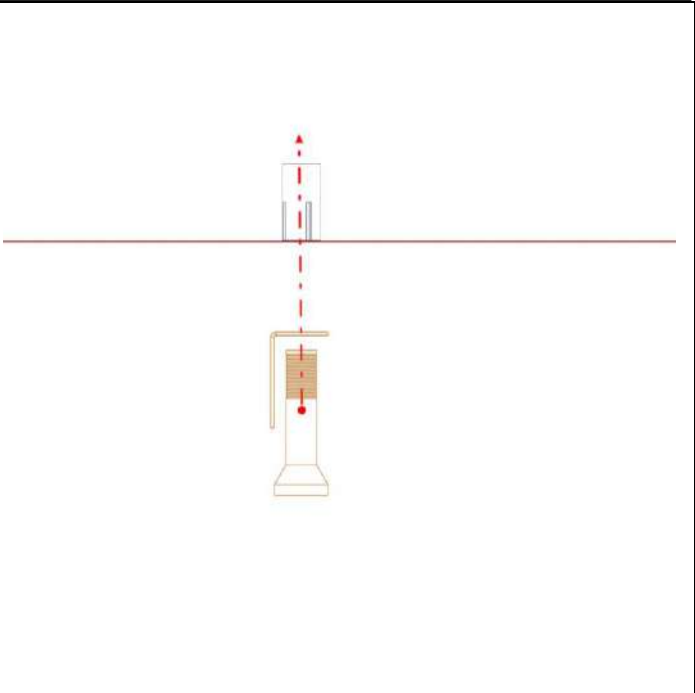
DETAIL SECTION



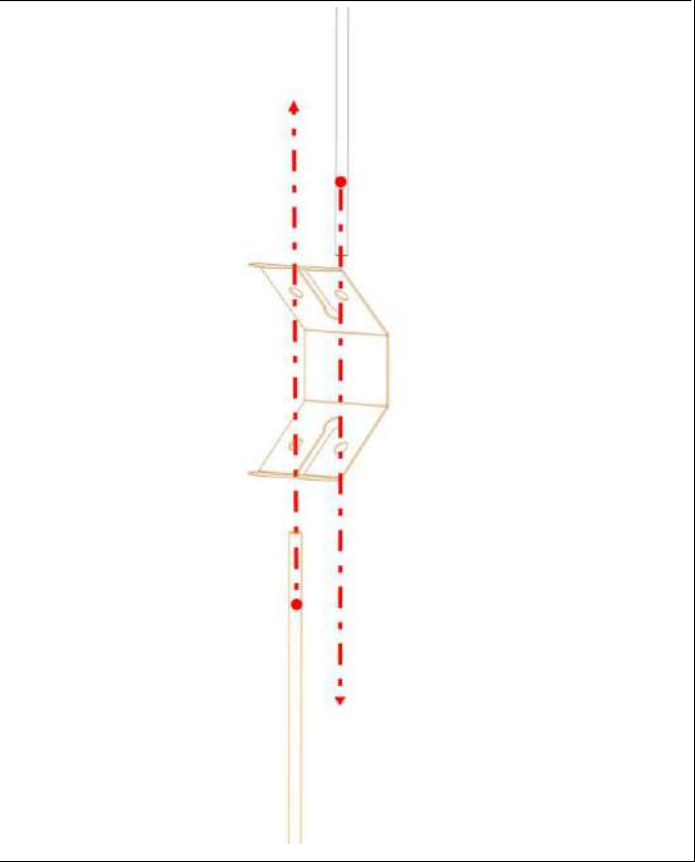
STEP 1.



STEP 2.

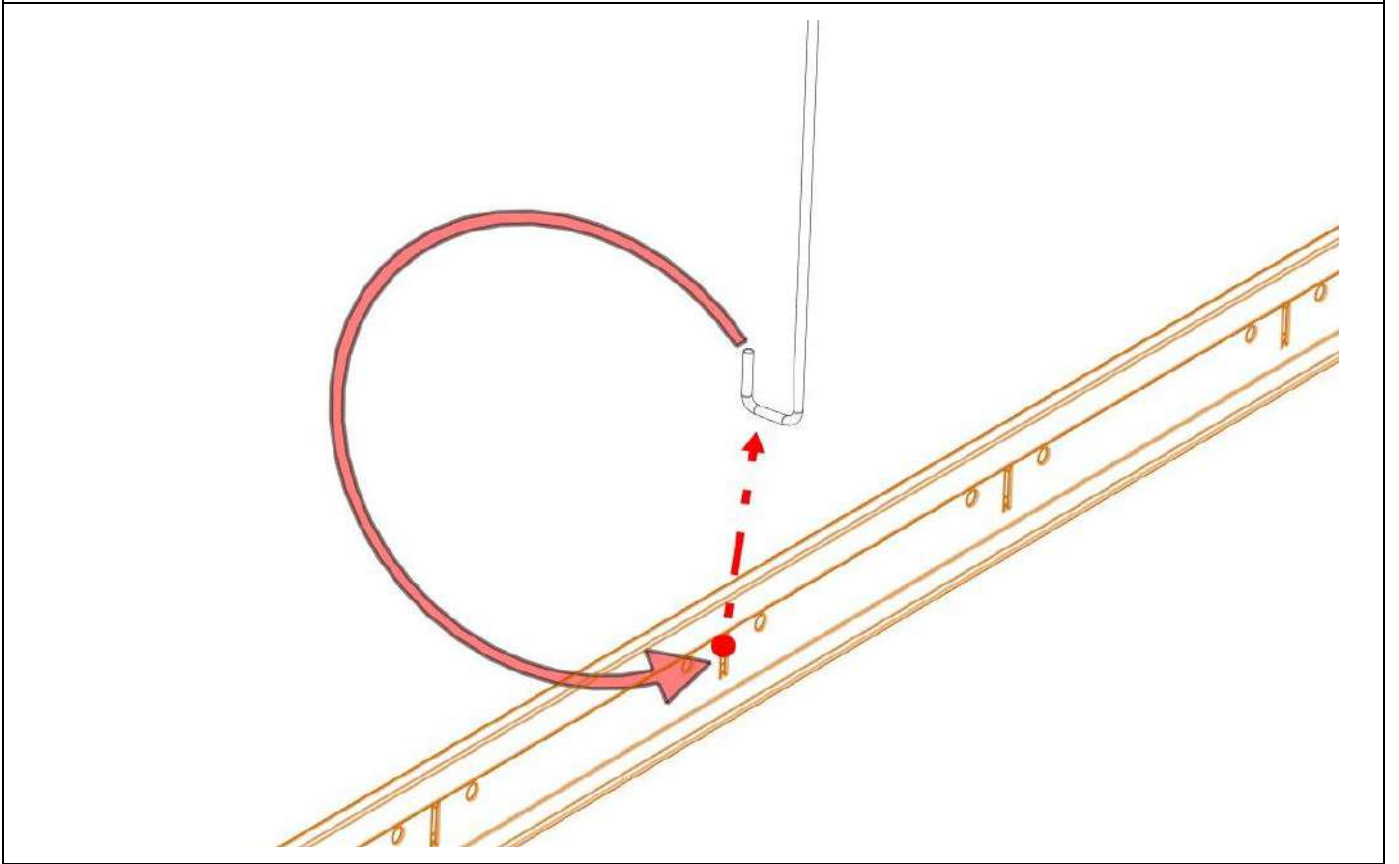
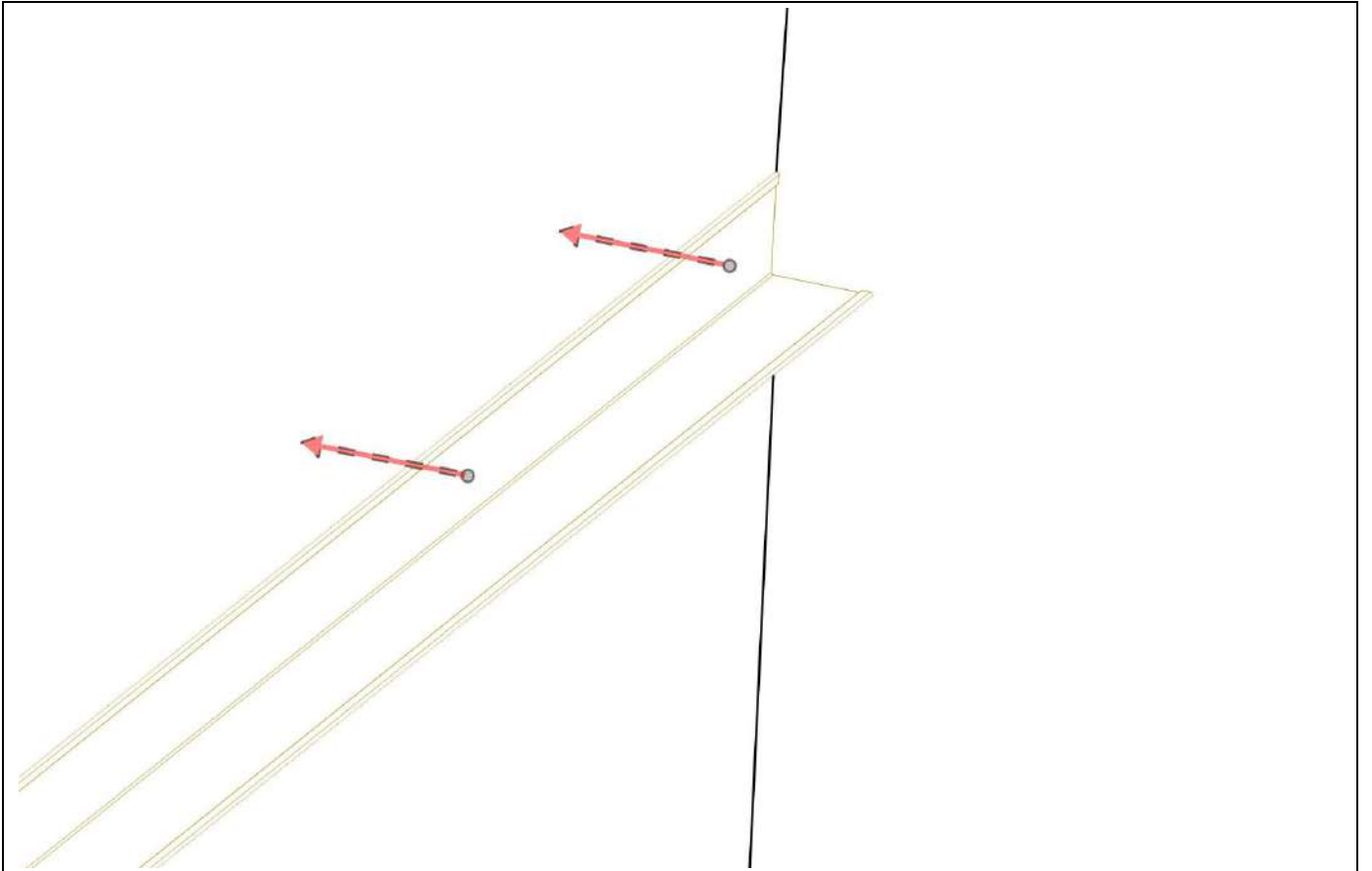


STEP 3.



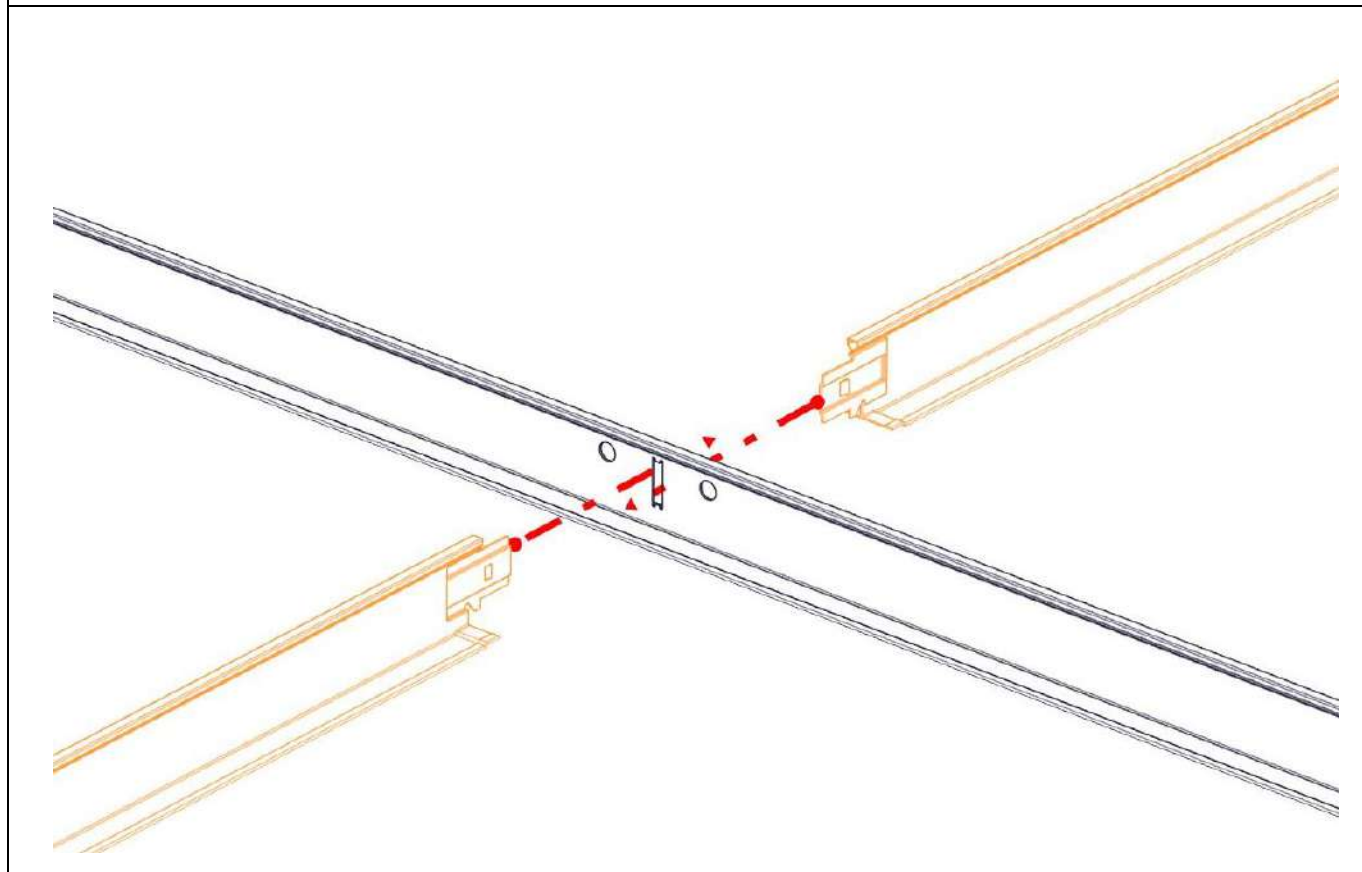
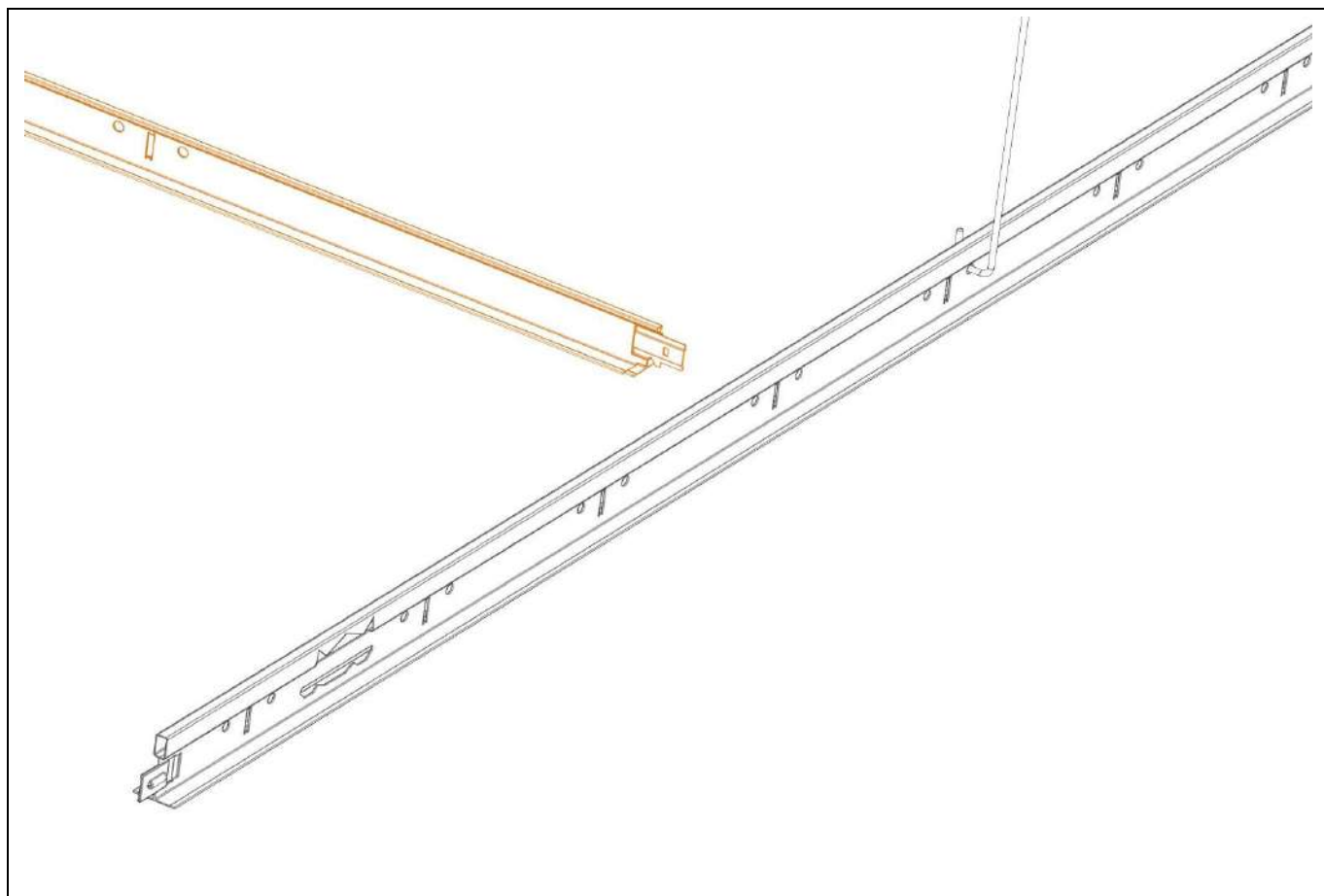
STEP 4.

STEP 5.



STEP 6.

STEP 7.



STEP 8.

STEP 9.

