

ARCHITECTURE AND DESIGN

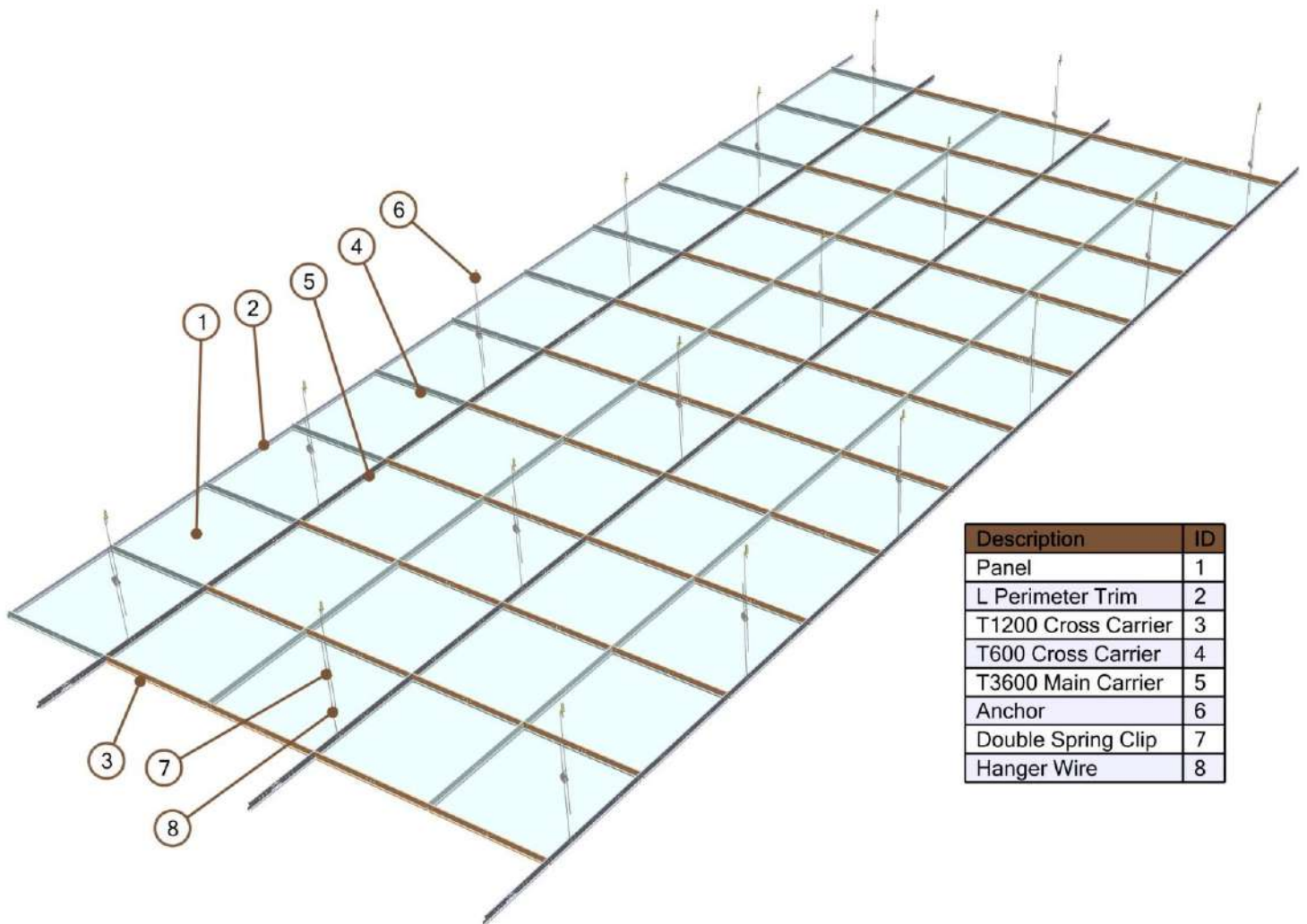
# T15 GROOVE SYSTEM

catalogue

2019-2020



# T15 GROOVE SYSTEM

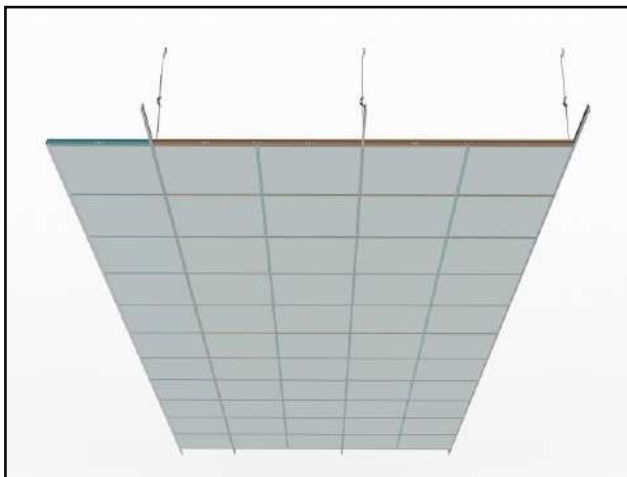
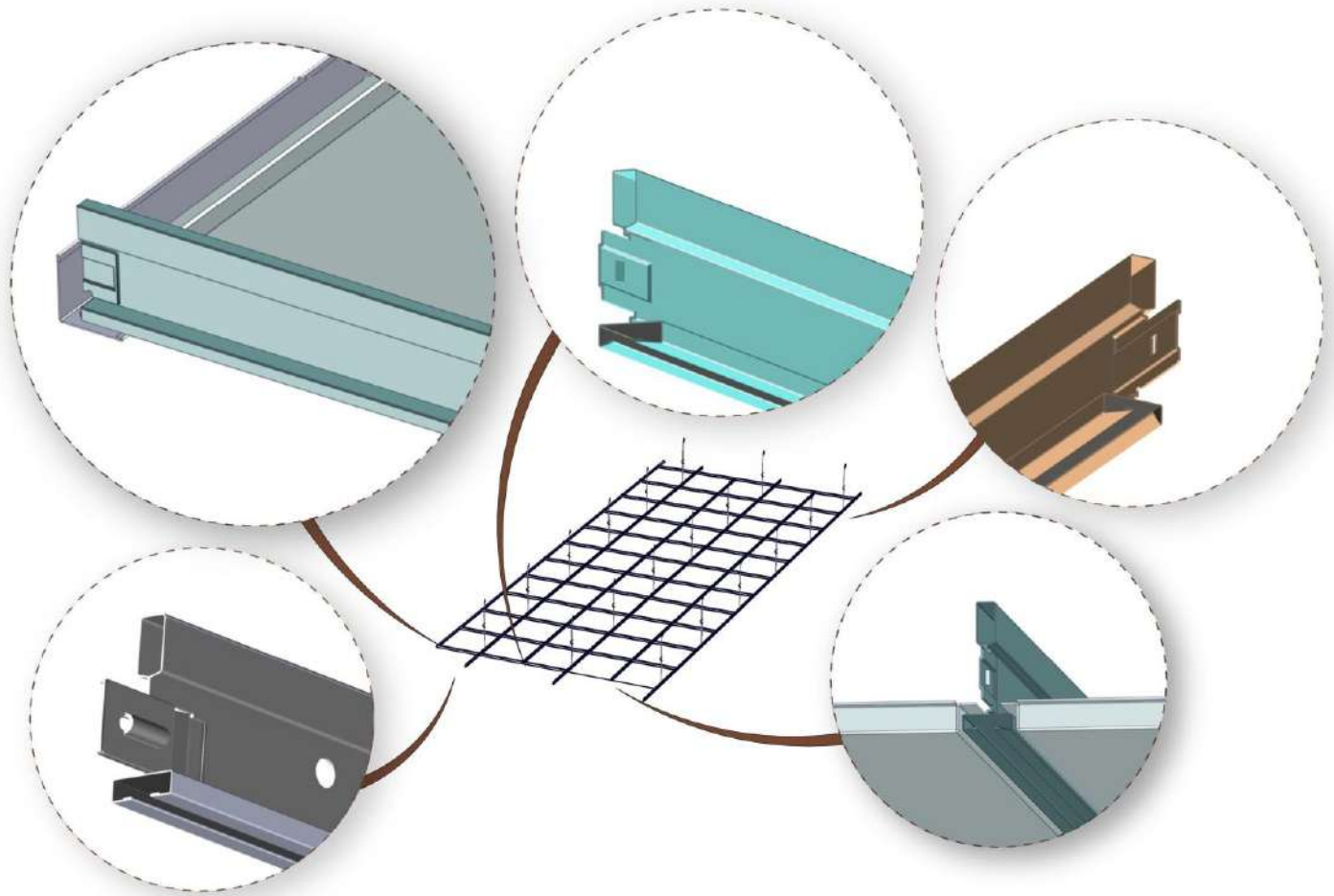


Description	ID
Panel	1
L Perimeter Trim	2
T1200 Cross Carrier	3
T600 Cross Carrier	4
T3600 Main Carrier	5
Anchor	6
Double Spring Clip	7
Hanger Wire	8

area.

- Carriers can be in different colors like :  
White – White  
White \_ Black  
Black \_ Black  
Black \_ Grey

# DETAIL VIEW



## HYGIENE

High performance in Blocking bacterial formation on panel surfaces by applying anti-microbial paint.

## PAINT

Prior to paint. Sensitive surface cleaning and phosphate coverage is applied. 60 minimum micron powder paint is sprayed by electrostatic system through 6 robots and cooked in a 180 meters long oven. The entire painting process takes place automatically by computer control.

## MATERIAL OPTIONS

Galvanized Steel/Aluminum / Stainless Steel

## ACOUSTIC

High acoustic performance with acoustic fleece up to  $\alpha_w$ : 1,00

## HUMIDITY

Galvanize panel: 90% RH

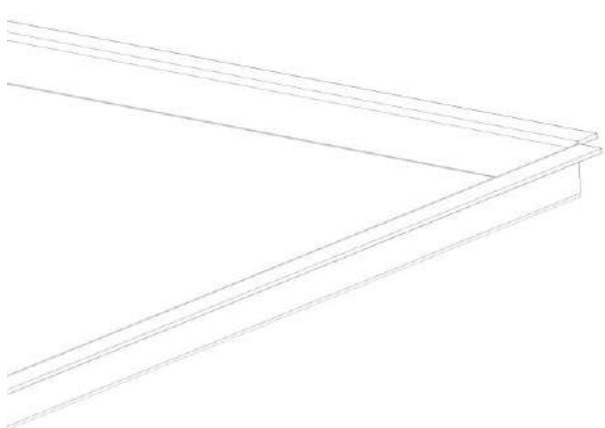
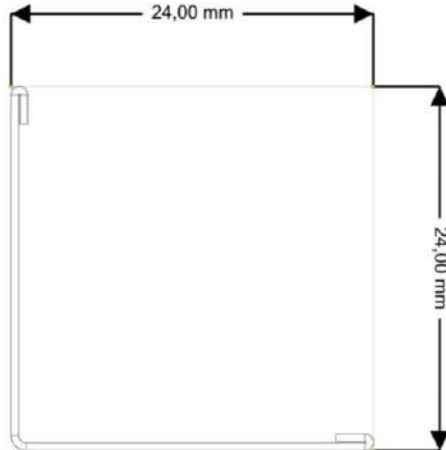
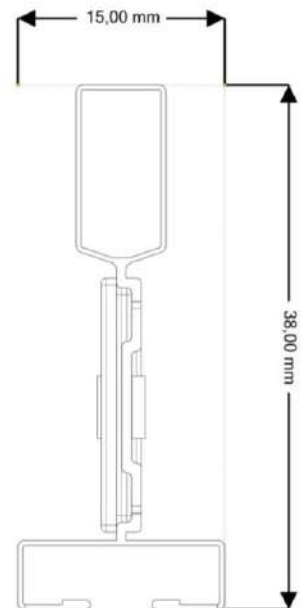
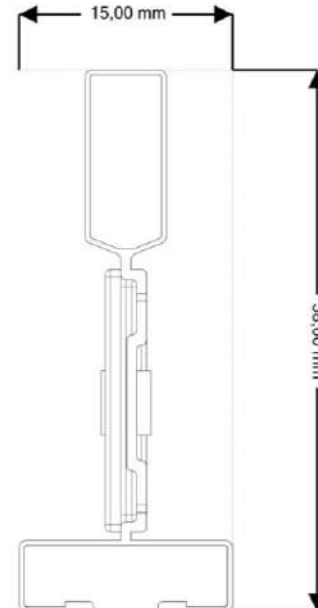
Aluminum panel: 100 % RH

## LIGHT REFLECTION

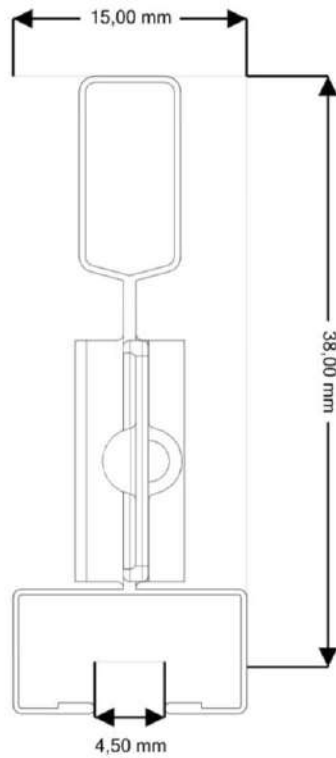
Straight Panel: 9010 Painted % 86

Perforated Panel : 9010 Painted % 72

# ELEMENT SPECIFICATION

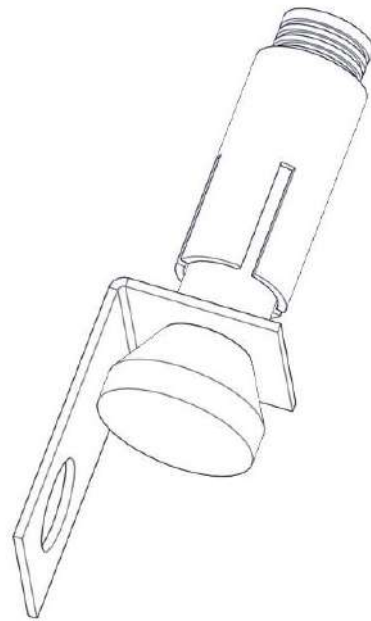
<p><b>1. Panel</b></p> 	<p><b>2. L perimeter Trim</b></p> 
<p><b>T : 0.70 mm Galvanized Steel</b></p>	<p><b>T : 0,5 mm Pre-Paint Steel</b> <b>W : 19/24/25 mm    H : 19/24/50 mm    L : Up to 3000 mm</b></p>
<p><b>3. T 1200 Cross Carrier</b></p> 	<p><b>4. T 600 Cross Carrier</b></p> 
<p><b>T : 0,30 mm Galvanized Steel</b> <b>W : 15 mm    H : 38 mm    L : 1200 mm</b></p>	<p><b>T : 0,30 mm Galvanized Steel</b> <b>W : 15 mm    H : 38 mm    L : 600 mm</b></p>

**5. T 3600 Main Carrier**



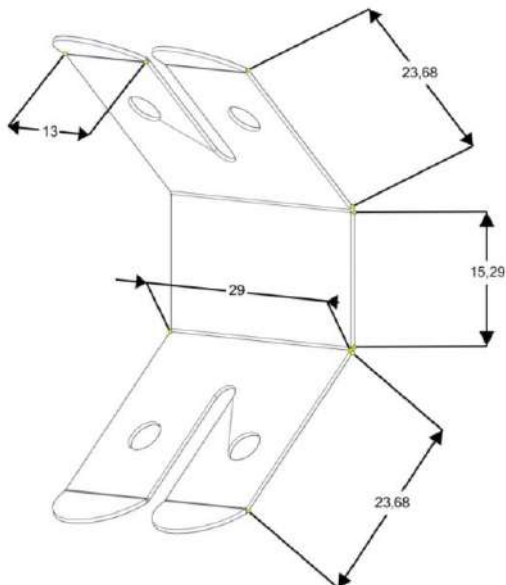
T : 0,35 mm Galvanized Steel  
W : 15 mm H : 38 mm L : 3600 mm

**6. Anchor**



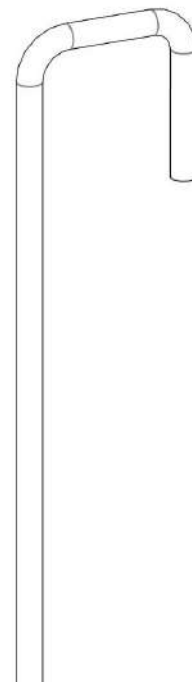
T : 0,8 mm / 2 mm / Ø 8 mm Galvanized Steel

**7. Double Spring Clip**



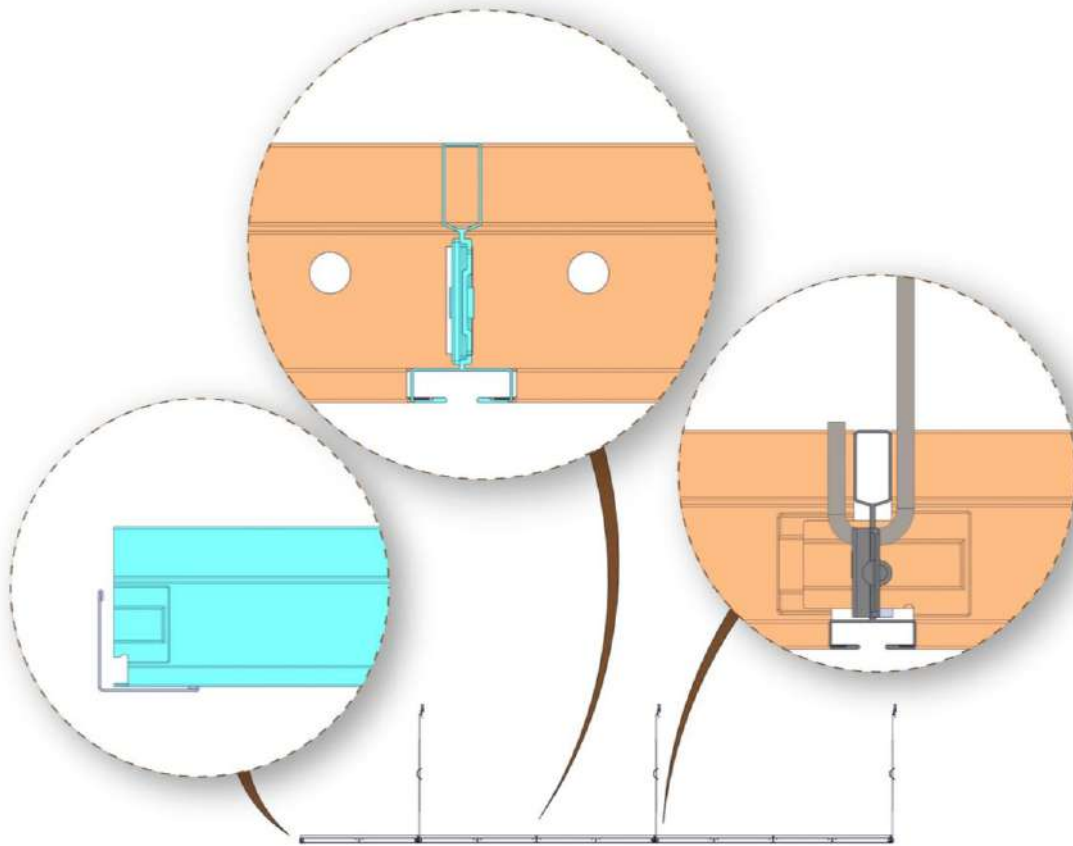
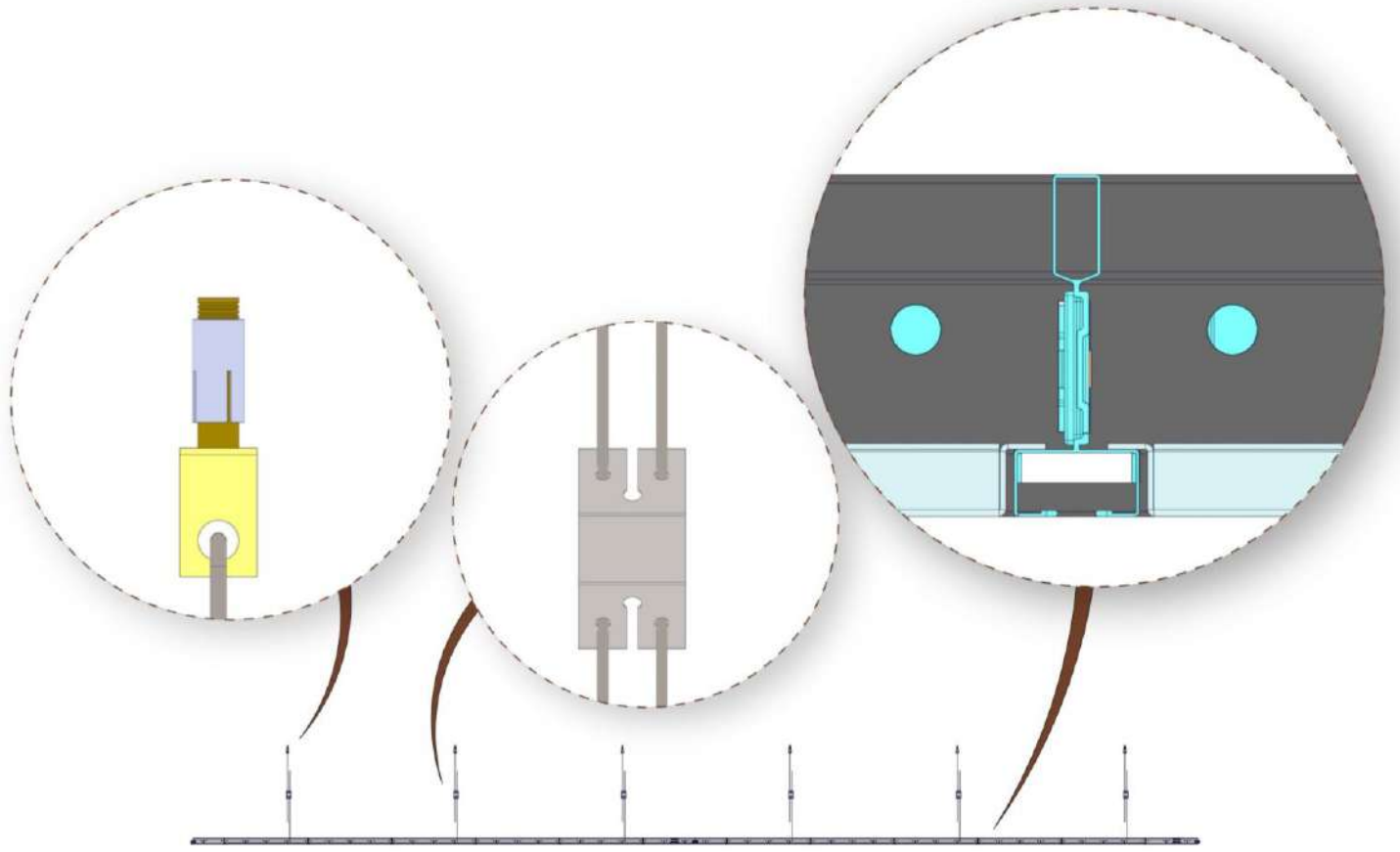
T : 0,50 mm Spring Steel

**8. Hanger Wire**



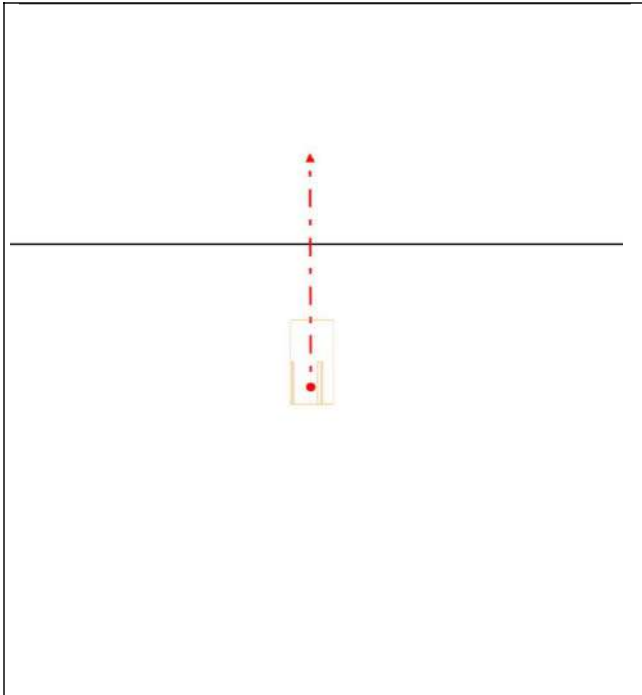
T : Ø 4 mm Galvanized Steel  
L : Max 2000 mm

# DETAIL SECTION

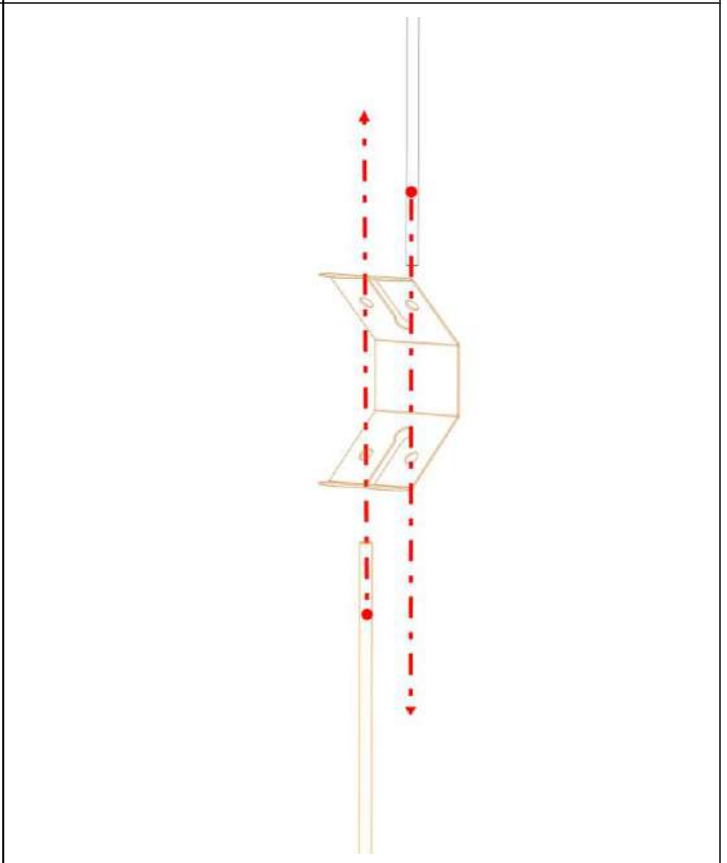
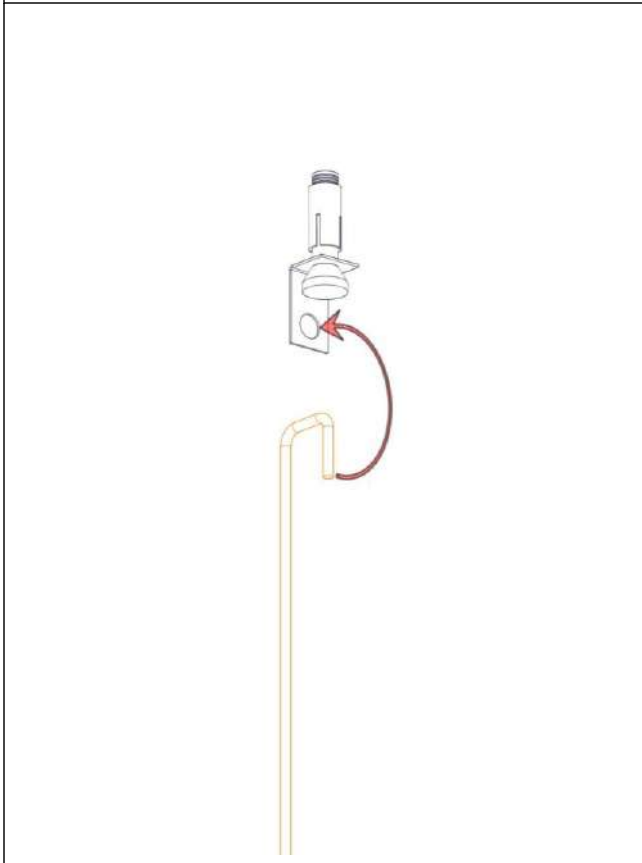
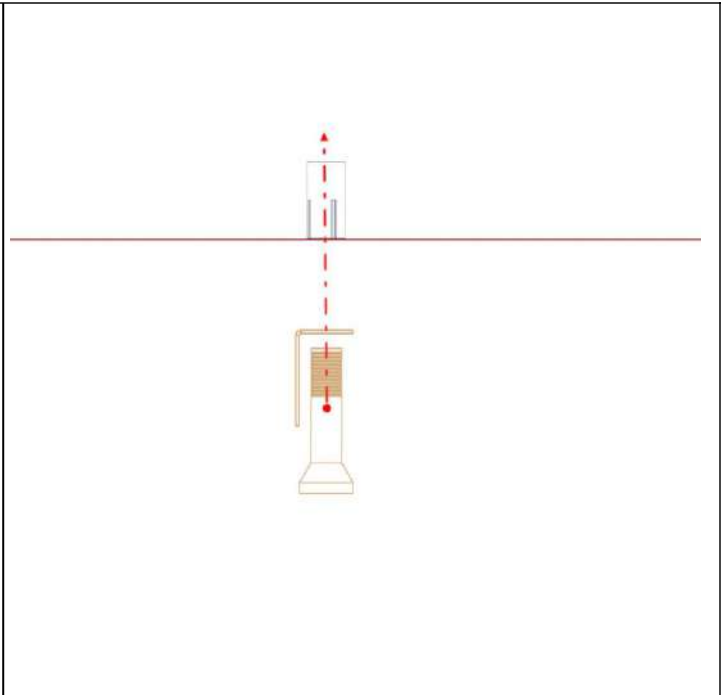


# ASSEMBLY TECHNIQUE

STEP 1.



STEP 2.

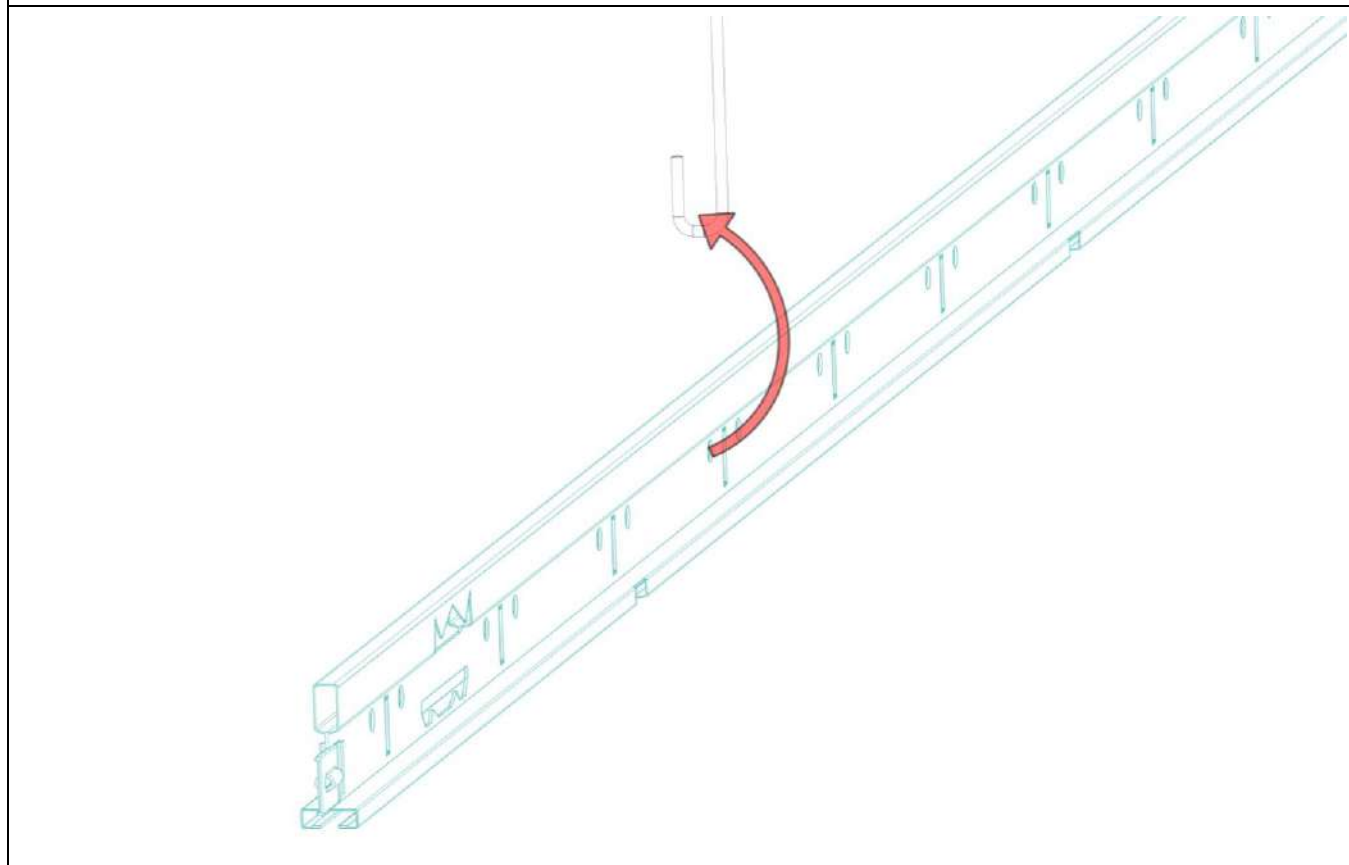
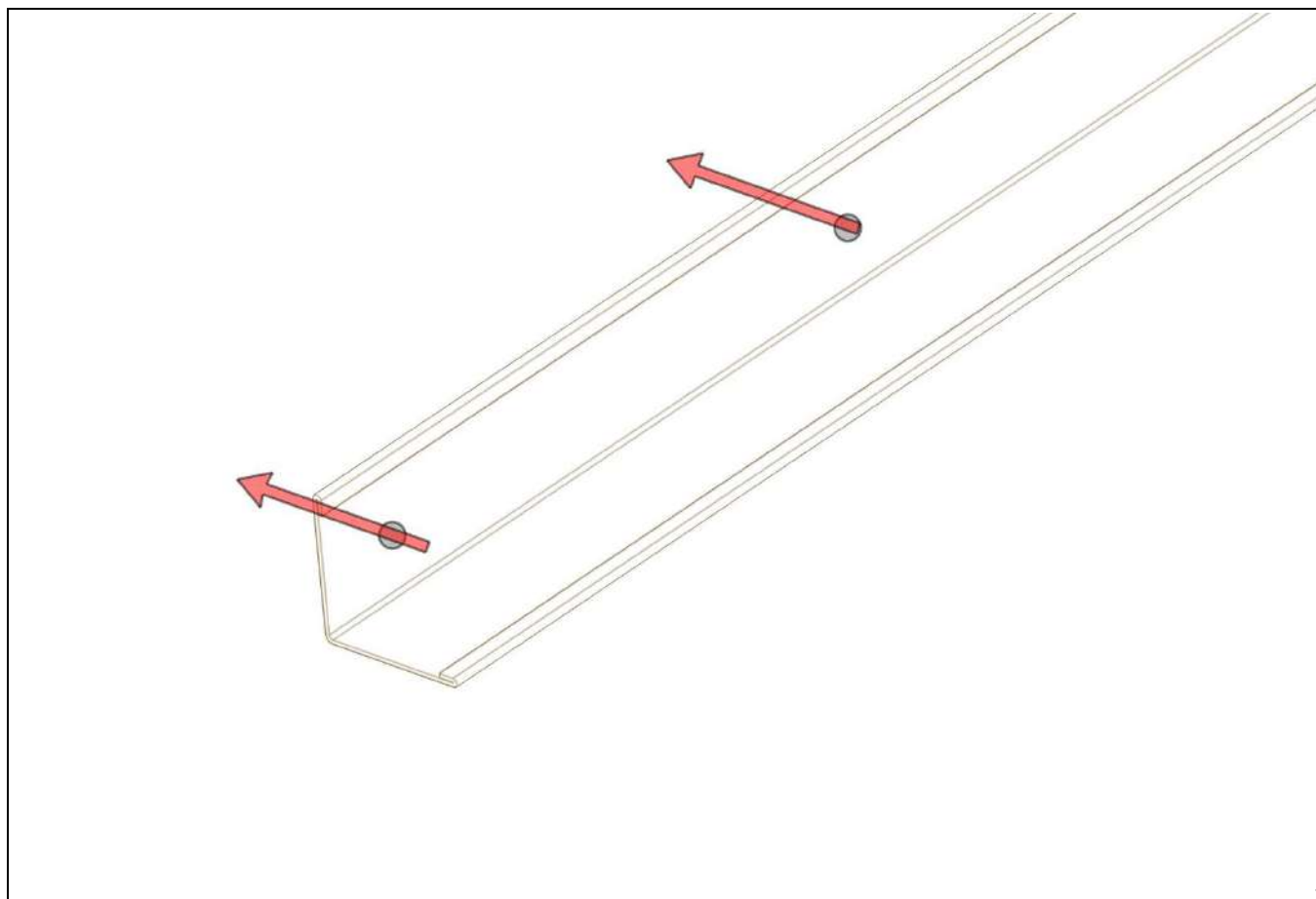


STEP 3.

STEP 4.



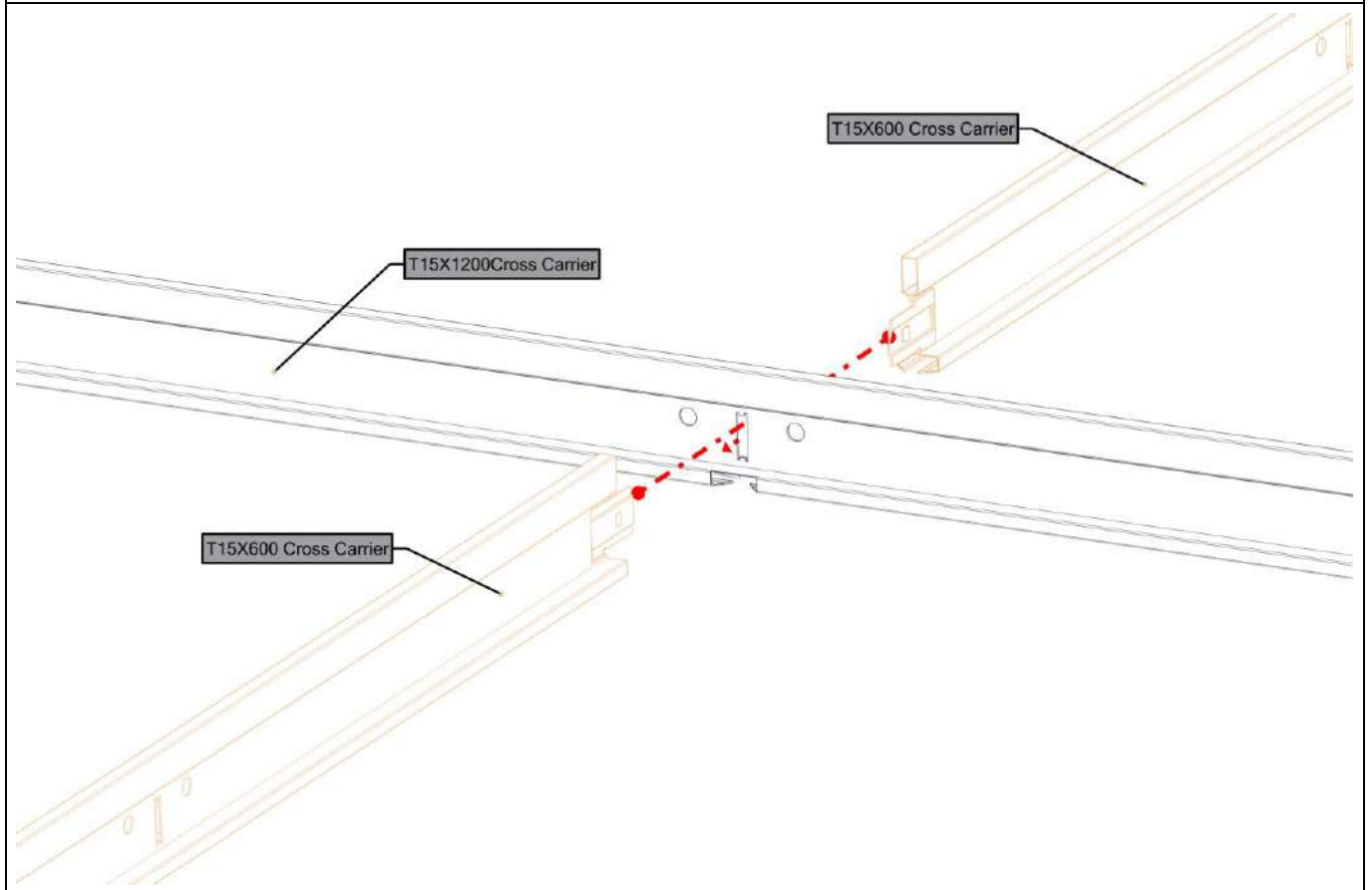
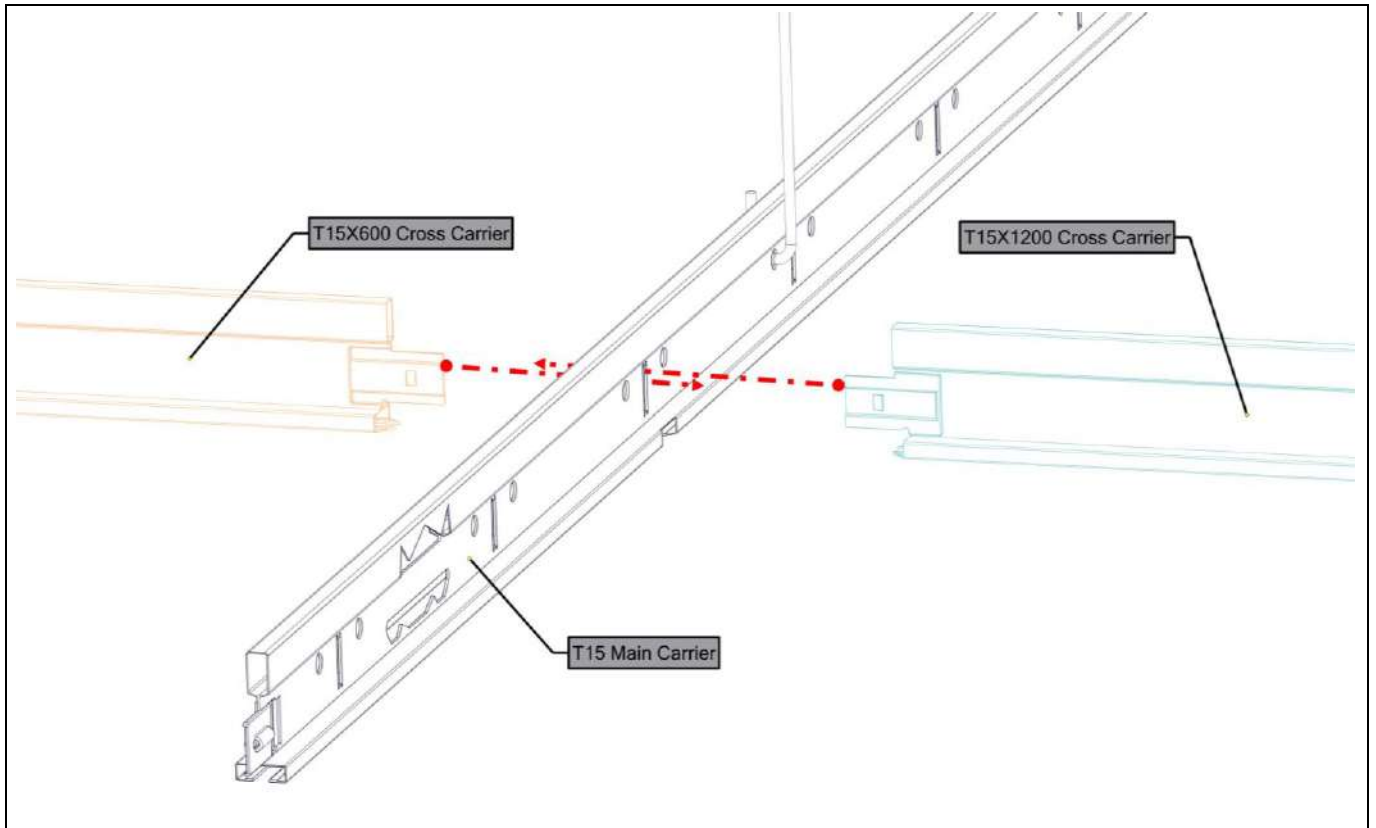
STEP 5.



STEP 6.

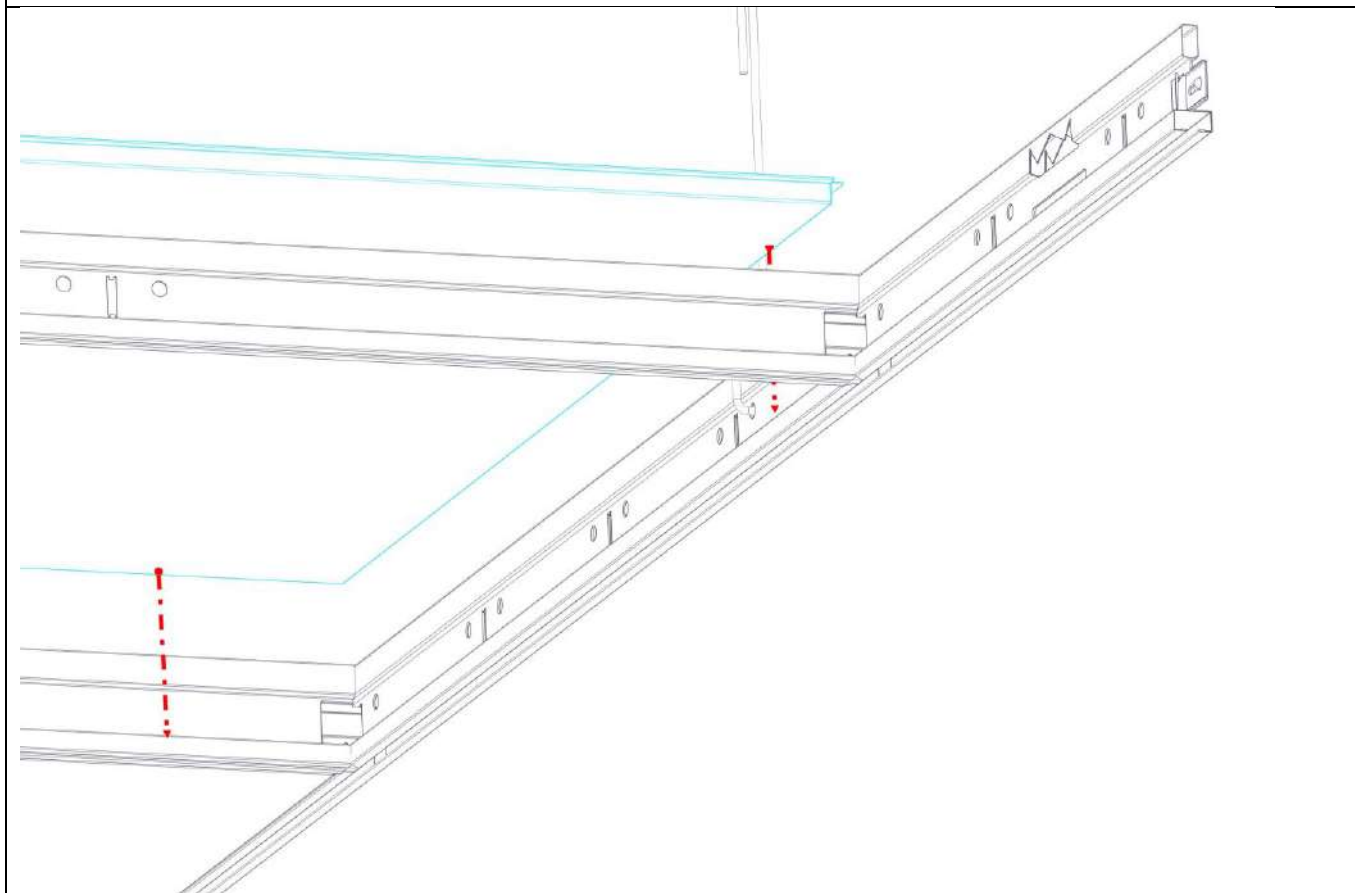
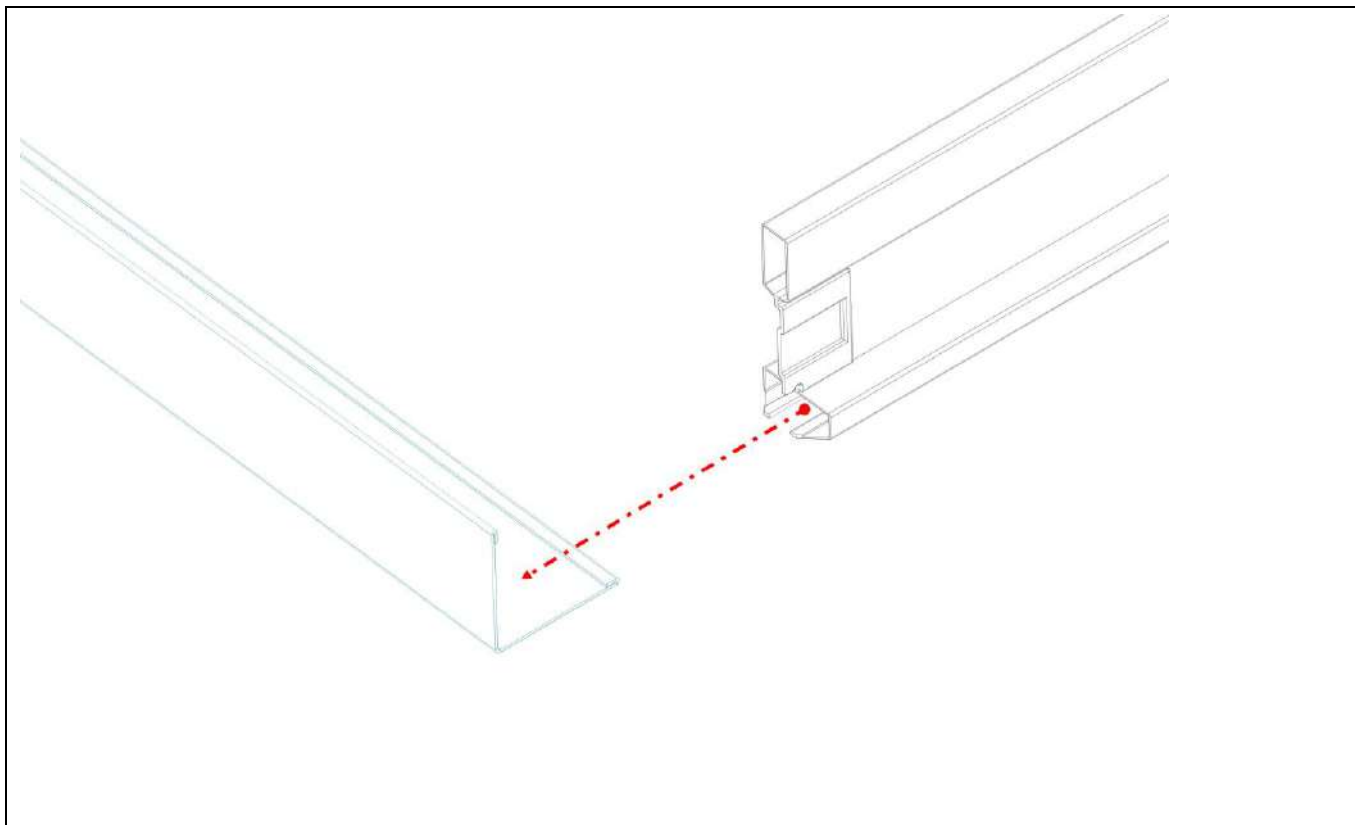


STEP 7.



STEP 8.

STEP 9.



STEP 10.