



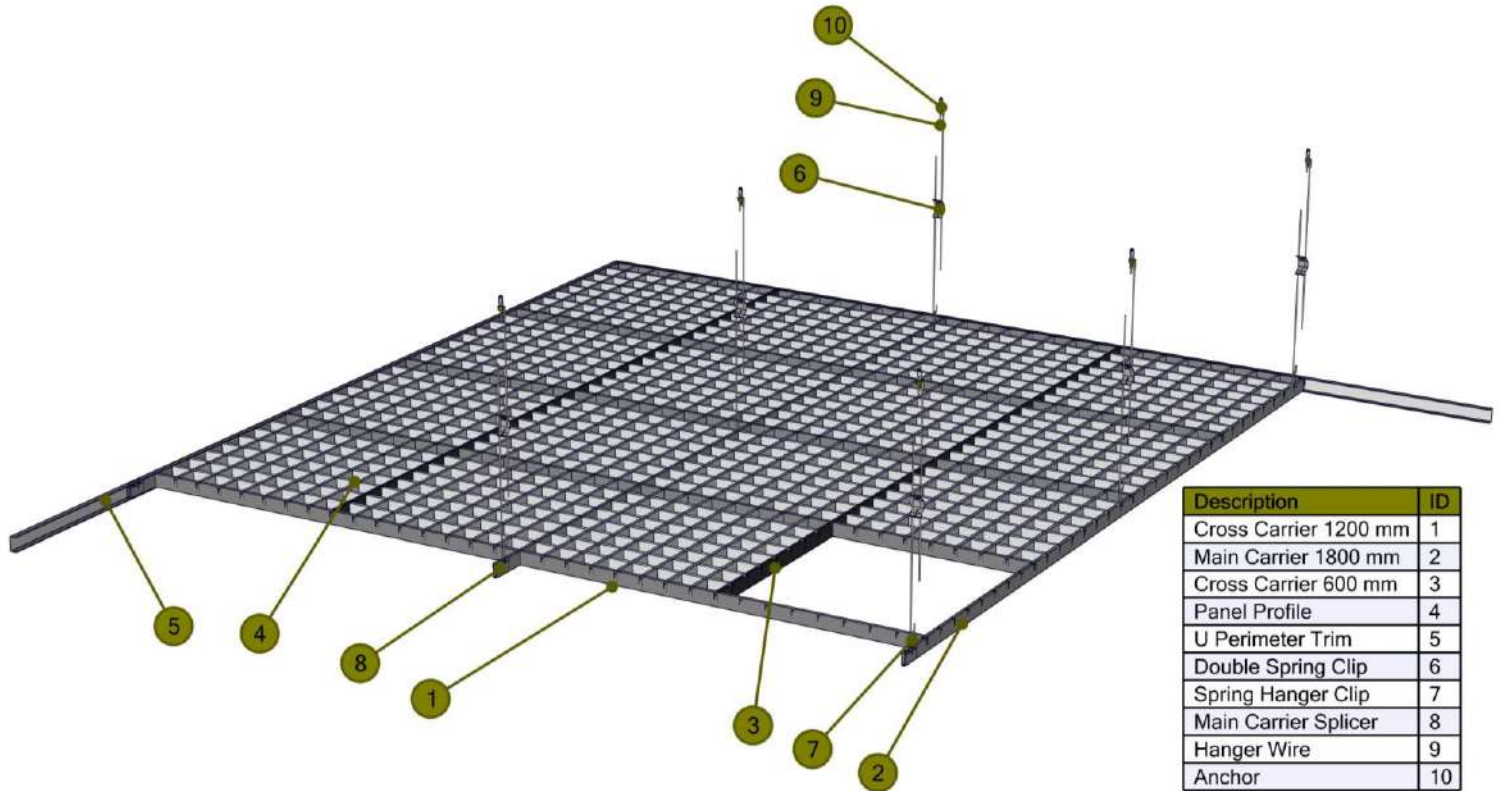
YEKMON

ARCHITECTURE AND DESIGN

OPENCELL DEMONTABLE SYSTEM

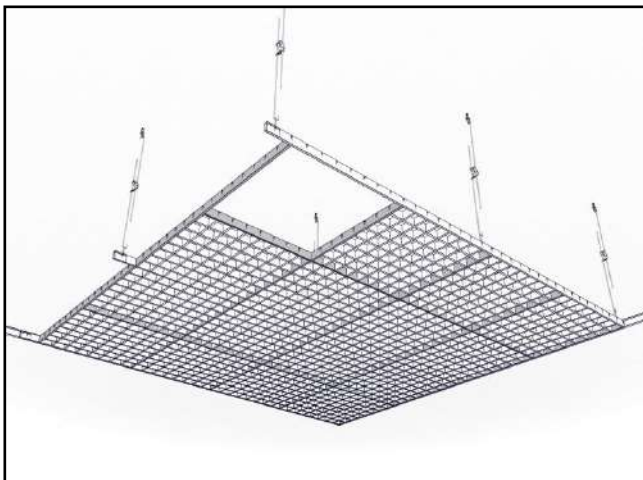
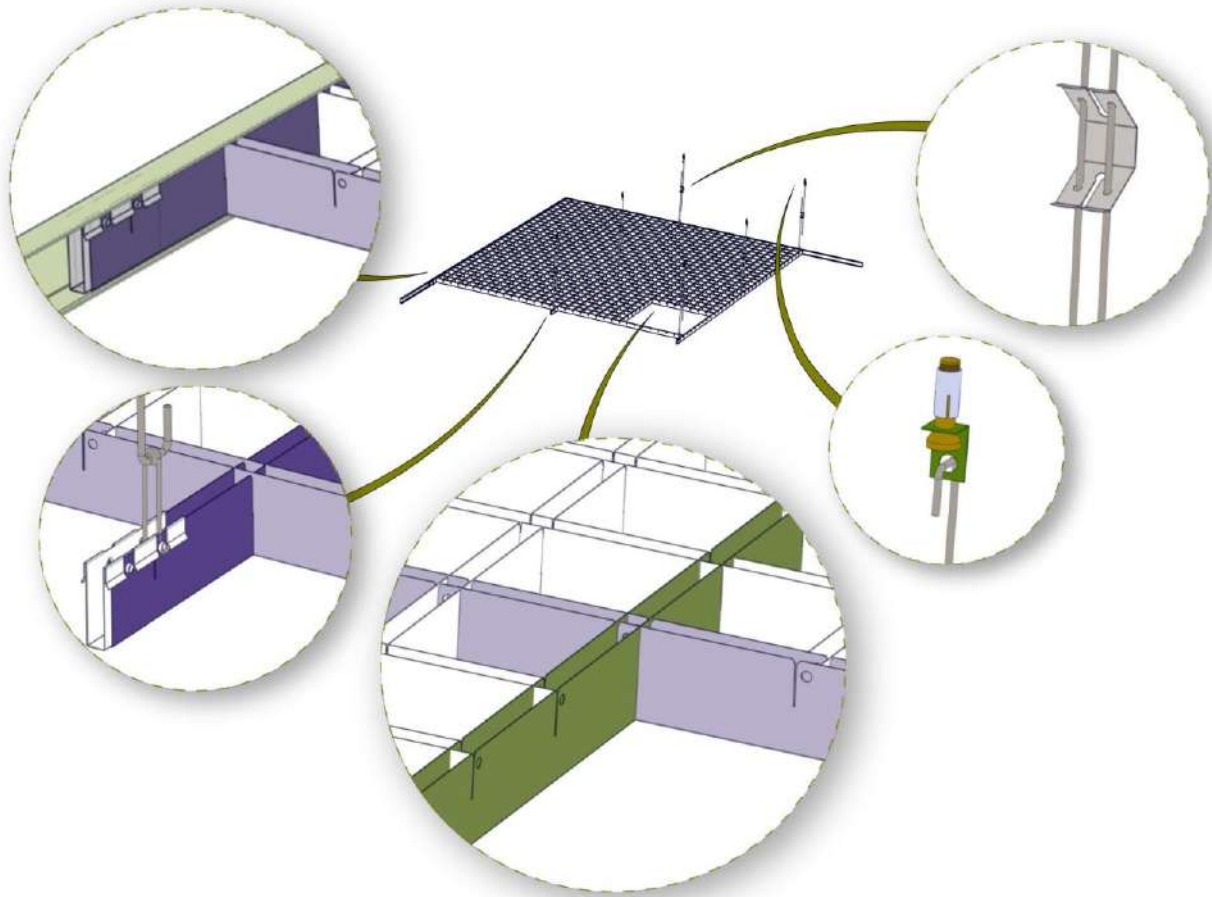
catalogue
2019-2020

DEMONTABLE SYSTEM



- **Standard Cell Size Alternatives : 100 mm - 75 mm - 50 mm.**
different cell size are also possible. Please contact to your Sales Rep.
- **Standard height of profile is 40 mm, but 50 mm is also available on demand.**

DETAIL VIEW



MATERIAL OPTIONS

Galvanized Steel/Aluminum

ACOUSTIC

With additional blanket

HUMIDITY

Galvanize panel: 90% RH

Aluminum panel: 100 % RH

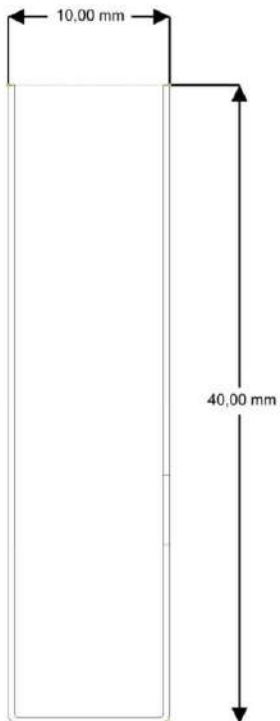
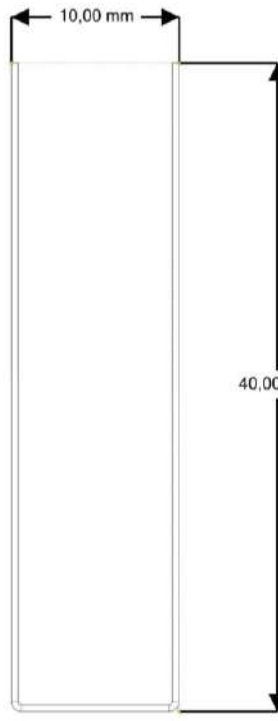
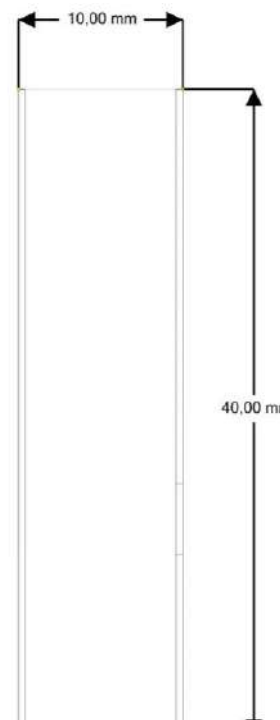

HYGIENE

High performance in Blocking bacterial formation on panel surfaces by applying anti-microbial paint.

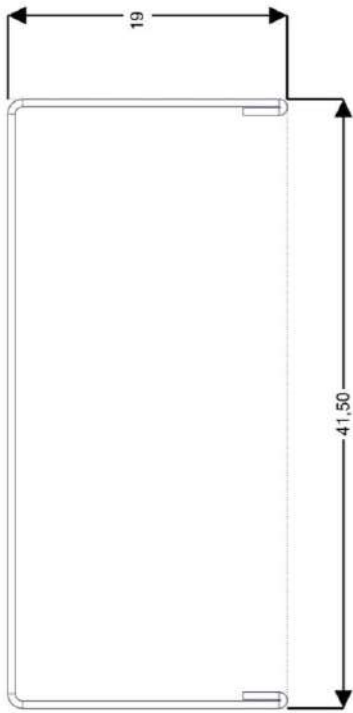
PAINT

Pre-painted or electro static paint or wood-a-like finish options are available. Prior to paint. Sensitive surface cleaning and phosphate coverage is applied. 60 minimum micron powder paint is sprayed by electrostatic system through 6 robots and cooked in a 180 meters long oven. The entire painting process takes place automatically by computer control.

ELEMENT SPECIFICATION

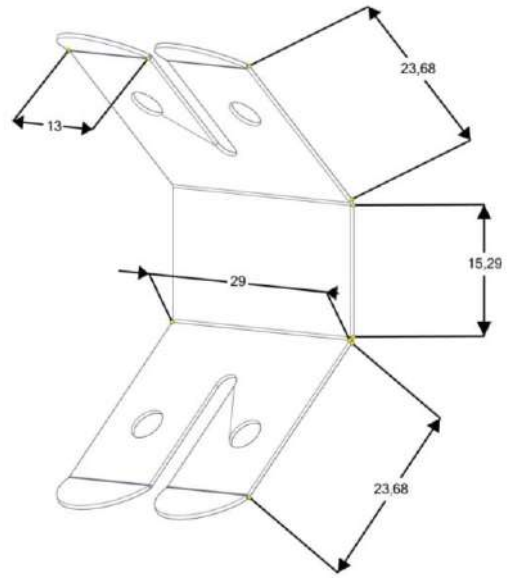
<p>1. Cross Carrier 1200 mm</p>  <p>10,00 mm</p> <p>40,00 mm</p>	<p>2. Main Carrier 1800 mm</p>  <p>10,00 mm</p> <p>40,00 mm</p>
<p>T : 0,40 mm Aluminum Steel W : 10 mm H : 40 mm L : 1200 mm</p>	<p>T : 0,40 mm Aluminum Steel W : 10 mm H : 40 mm L : 1800 mm</p>
<p>3. Cross Carrier 600 mm</p>  <p>10,00 mm</p> <p>40,00 mm</p>	<p>4. Panel Profile</p>  <p>10,00 mm</p> <p>40,00 mm</p>
<p>T : 0,40 mm Aluminum Steel W : 10 mm H : 40 mm L : 600 mm</p>	<p>T : 0,40 mm Aluminum Steel W : 10 mm H : 40 mm L : 600 mm</p>

5. U Perimeter Trim



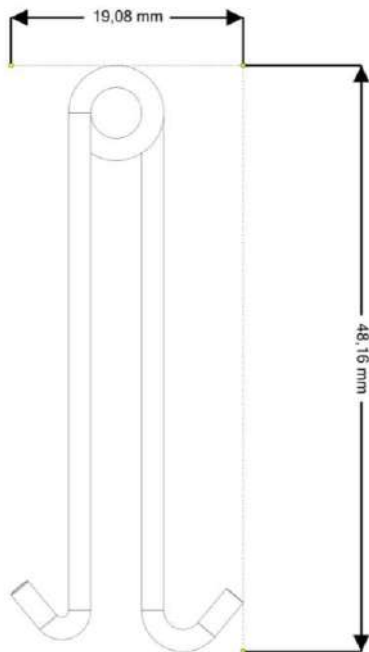
T : 0,4 mm Pre-Paint Steel
W : 19 mm H : 41,50 mm L : Up to 3000 mm

6. Double Spring Clip



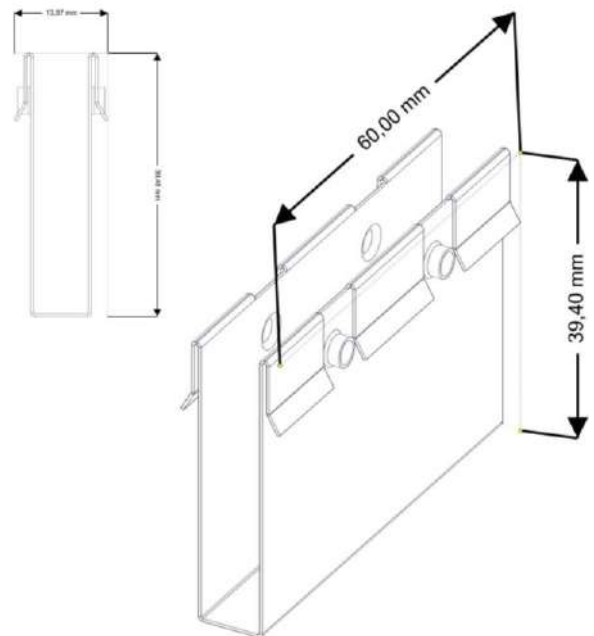
T : 0,50 mm Spring Steel

7. Spring Hanger Clip



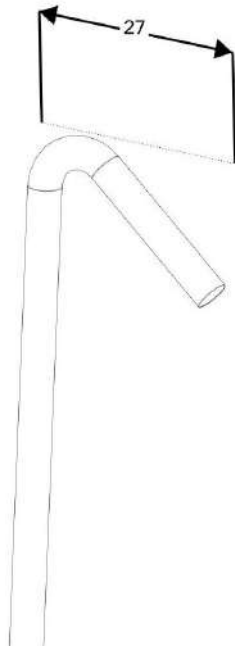
T : Ø 1,80 mm Steel
W : 19 mm H : 48 mm

8. Main Carrier Splicer



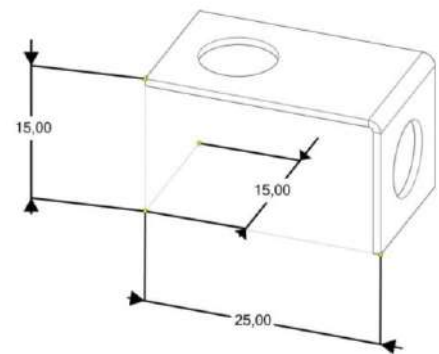
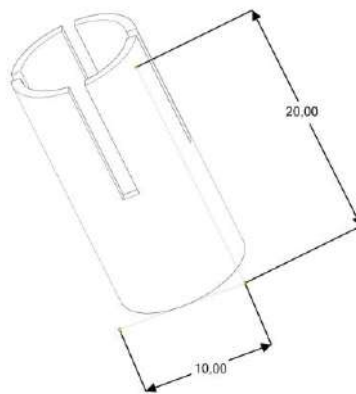
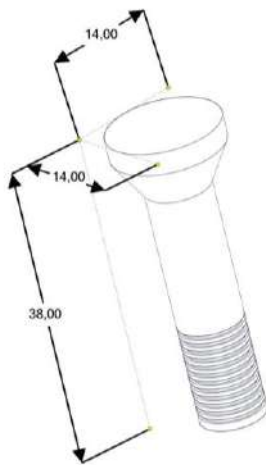
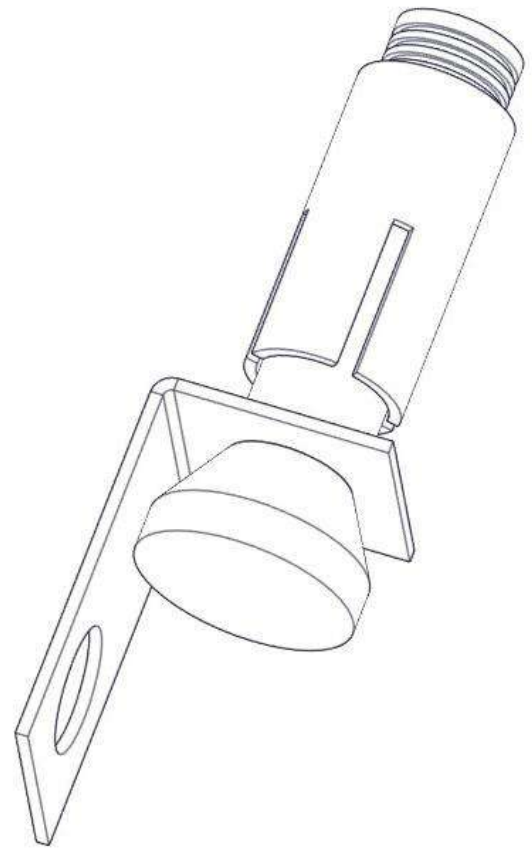
T : 0,4 mm Aluminum / Steel
W : 14 mm H : 39,50 mm L : 60 mm

9. Hanger Wire



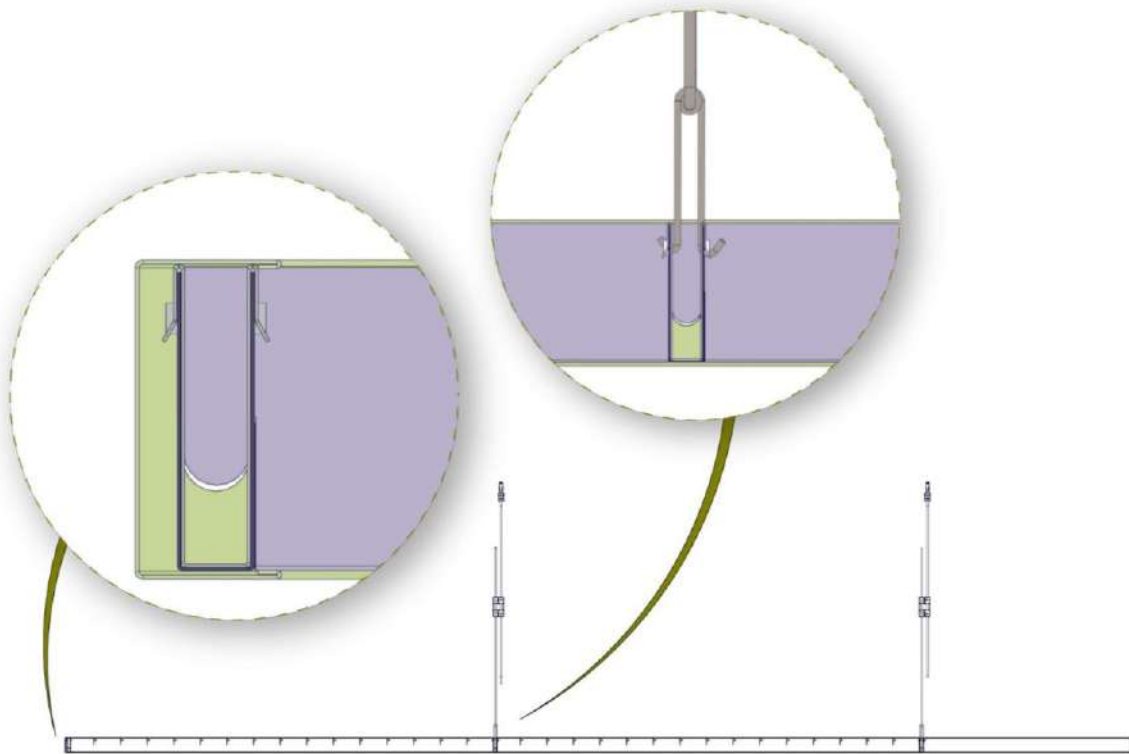
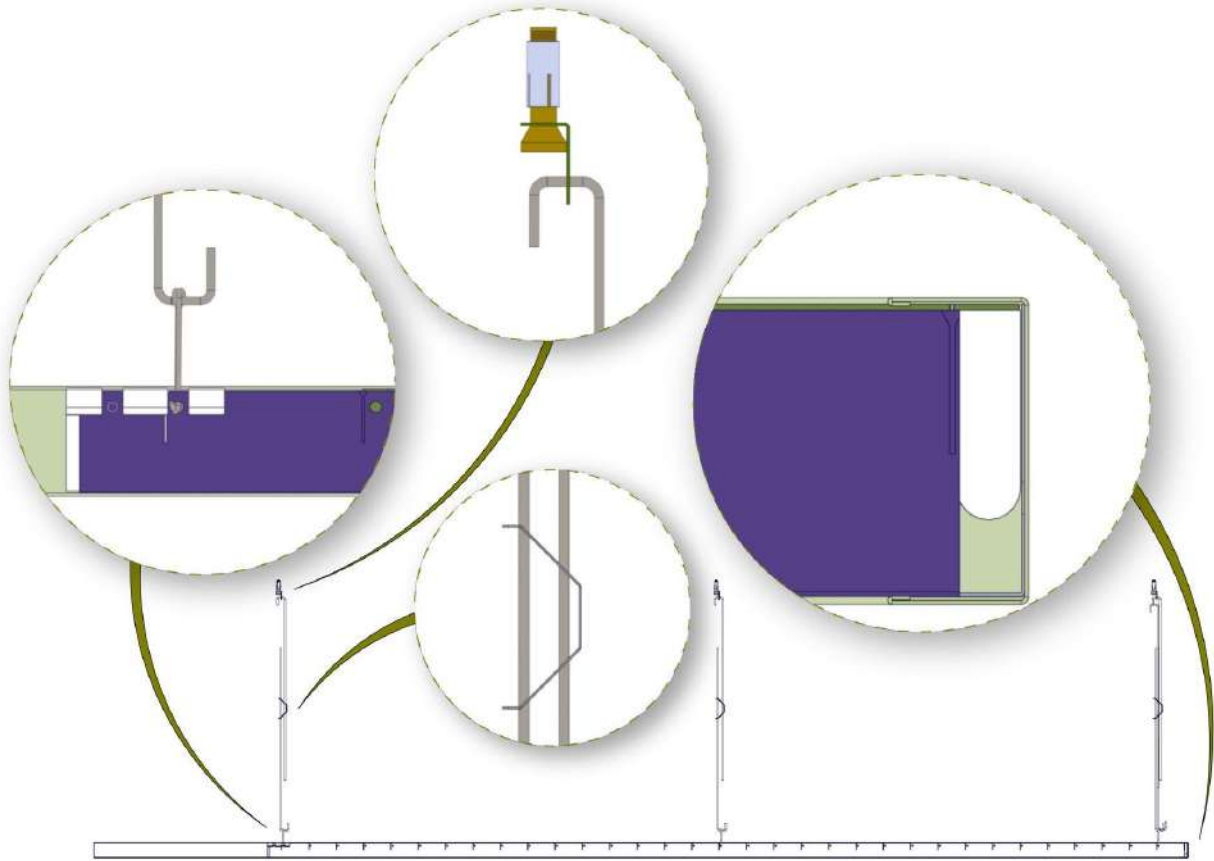
T : Ø 4 mm Galvanized Steel
L : Max 2000 mm

10. Anchor



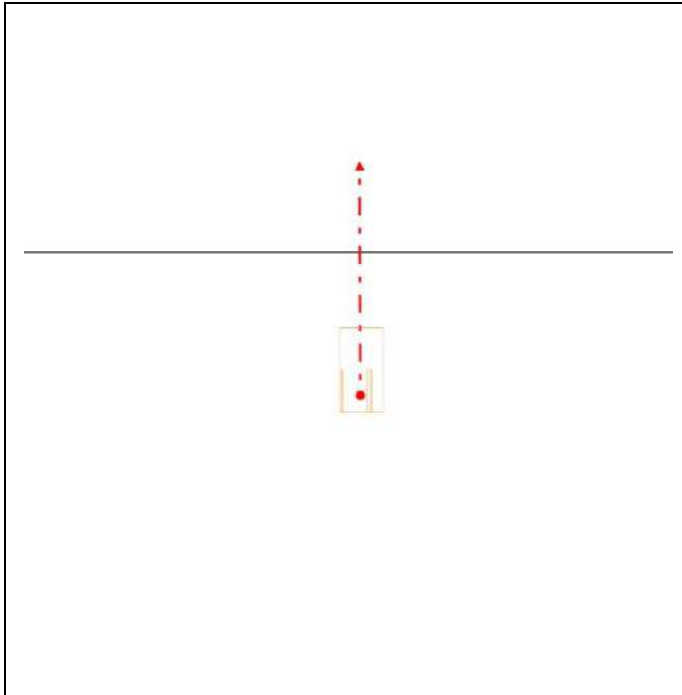
T : 0,2 mm / 0,8 mm / Ø 8 mm Galvanized Steel

DETAIL SECTION

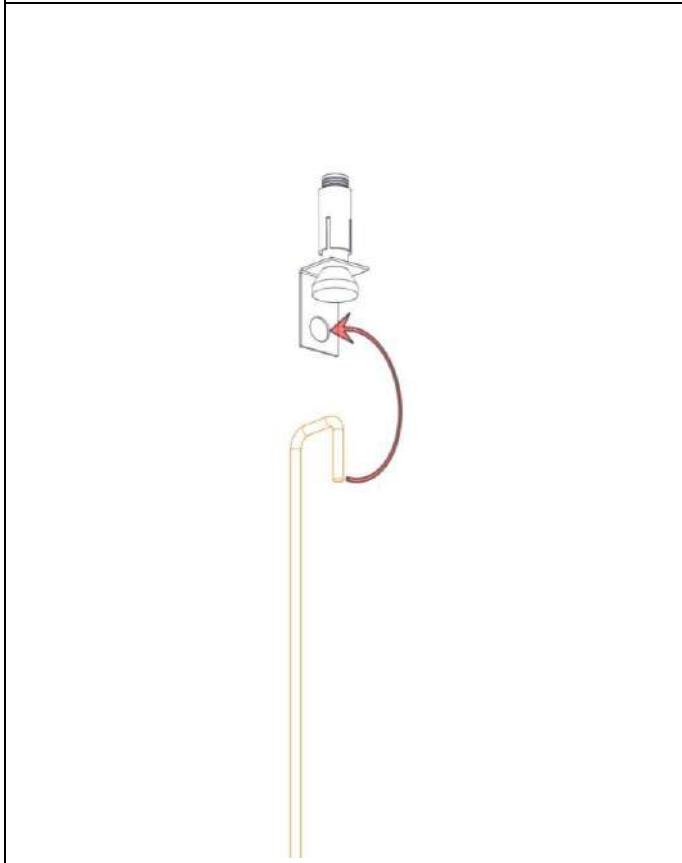
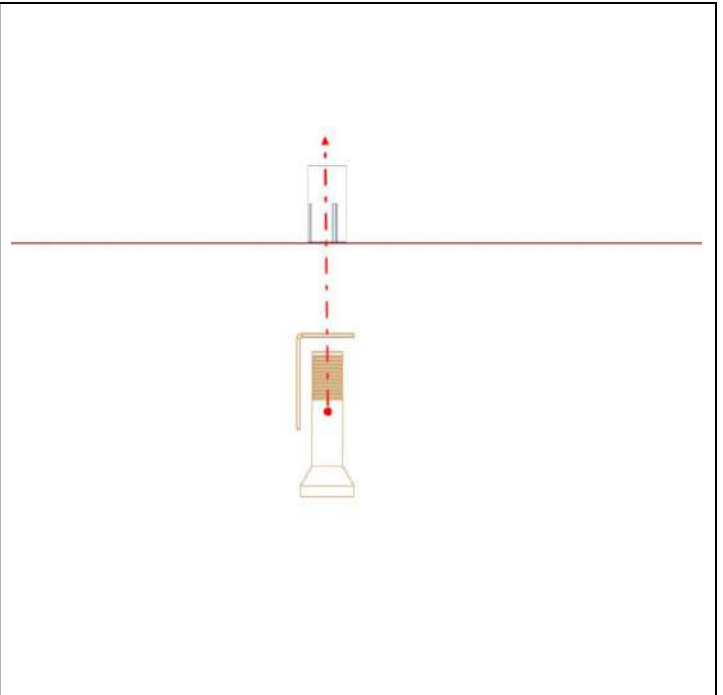


ASSEMBLY TECHNIQUE

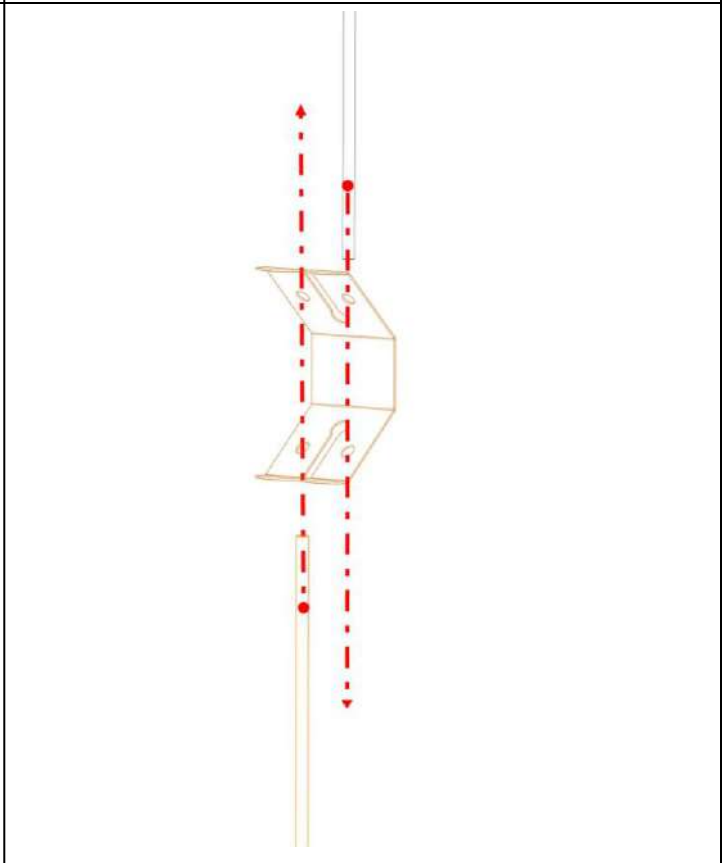
STEP 1.



STEP 2.

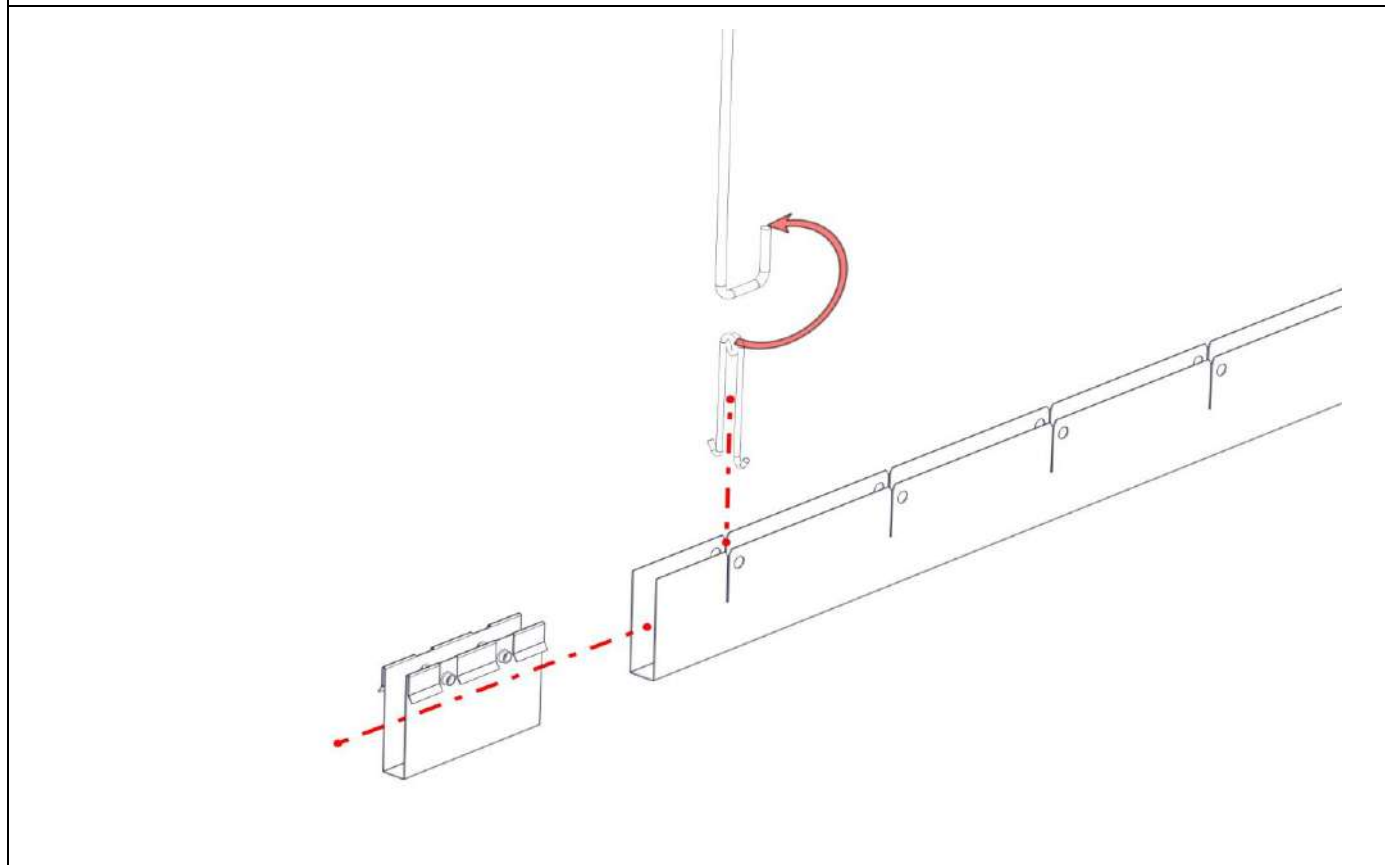
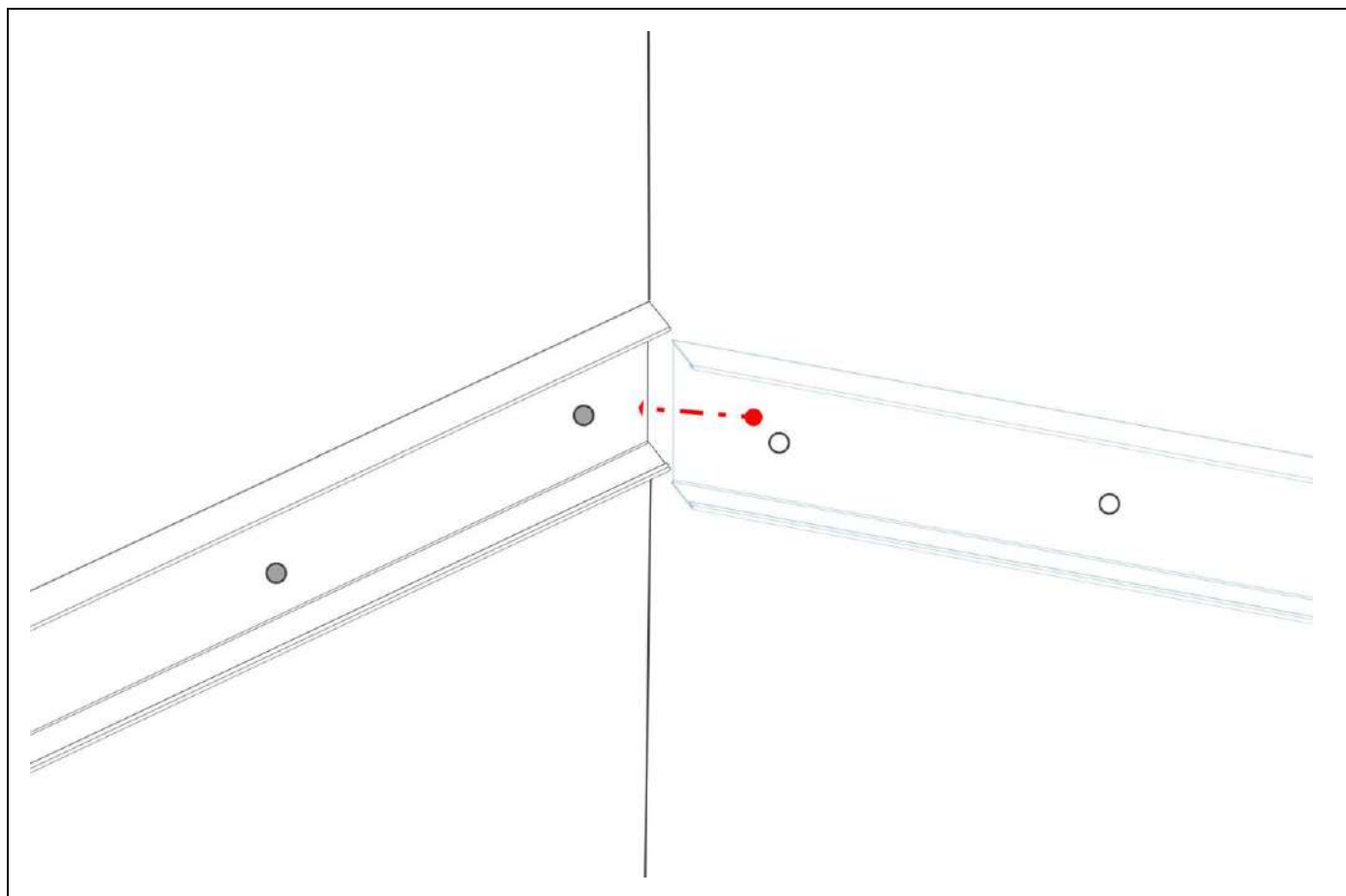


STEP 3.



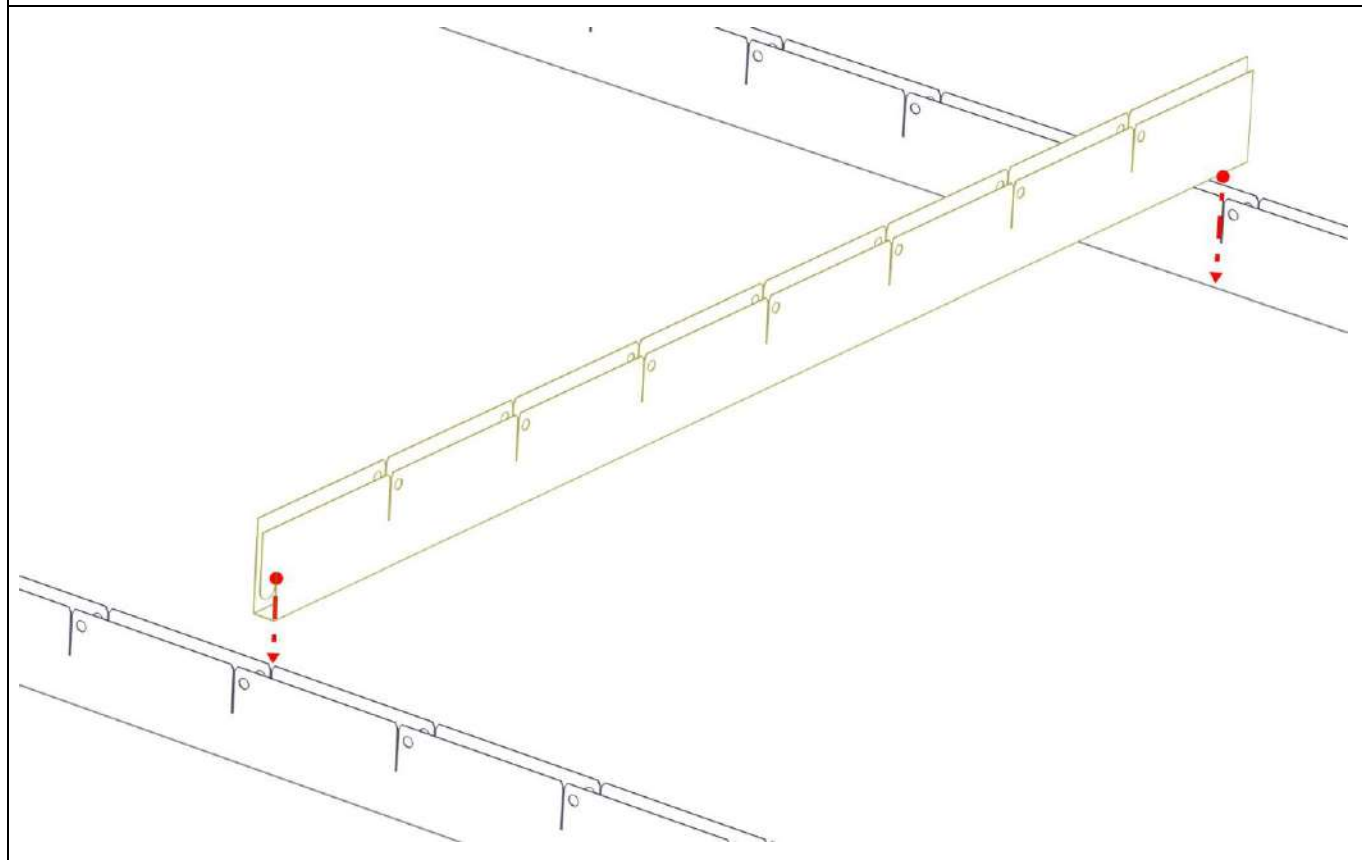
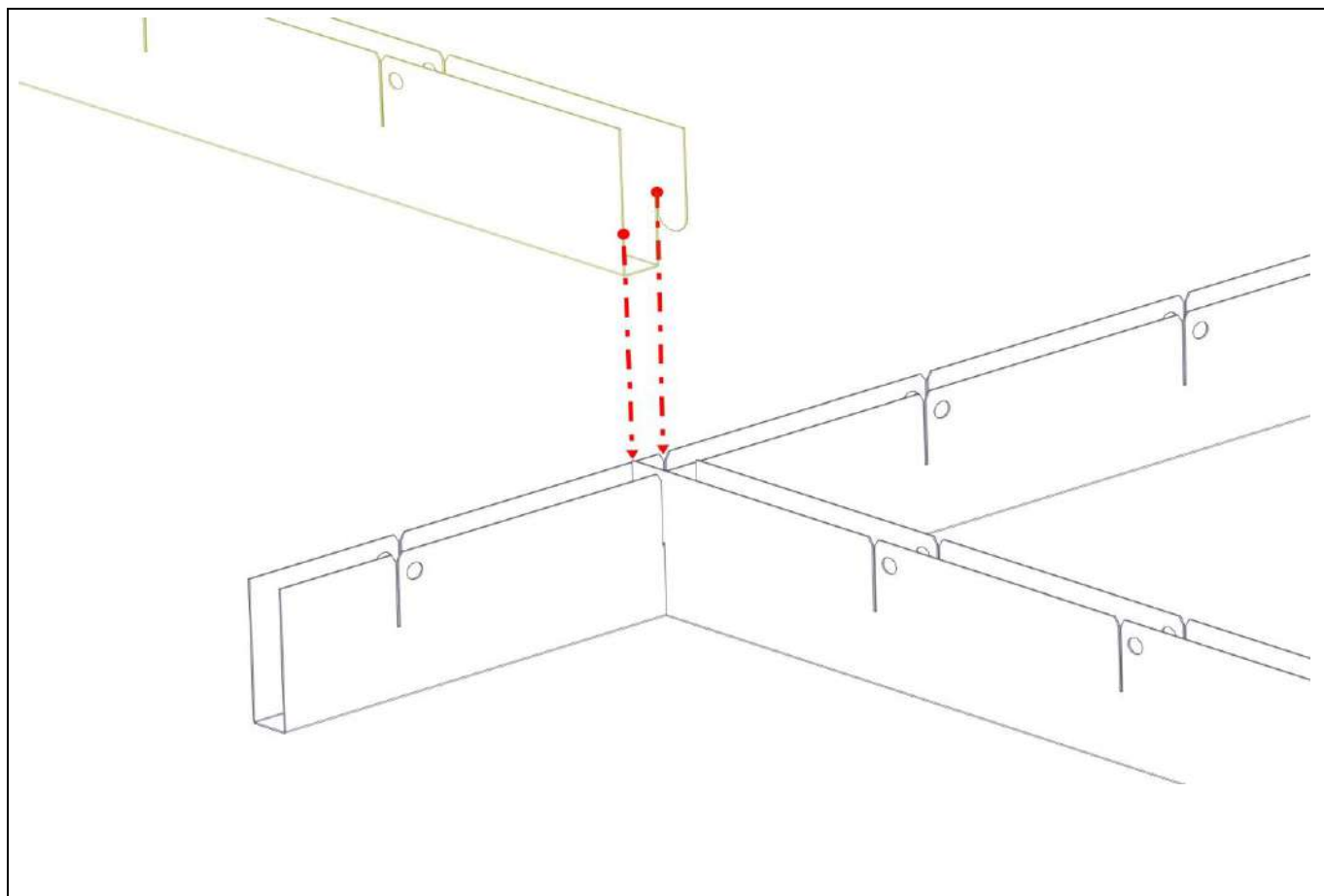
STEP 4.

STEP 5.



STEP 6.

STEP 7.



STEP 8.

STEP 9.

