



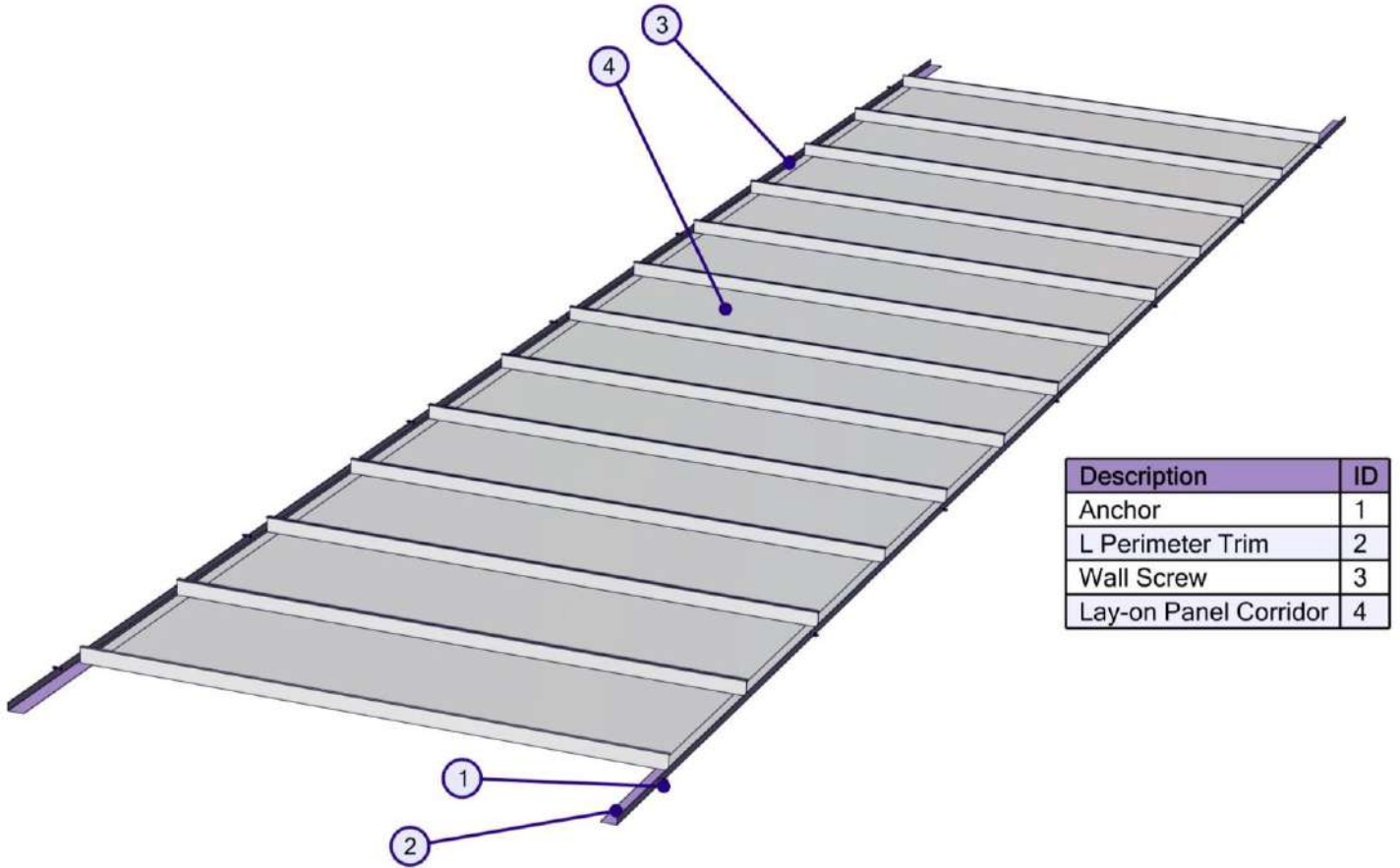
 **YEKMON**

ARCHITECTURE AND DESIGN

LAY-ON SYSTEM CORRIDOR

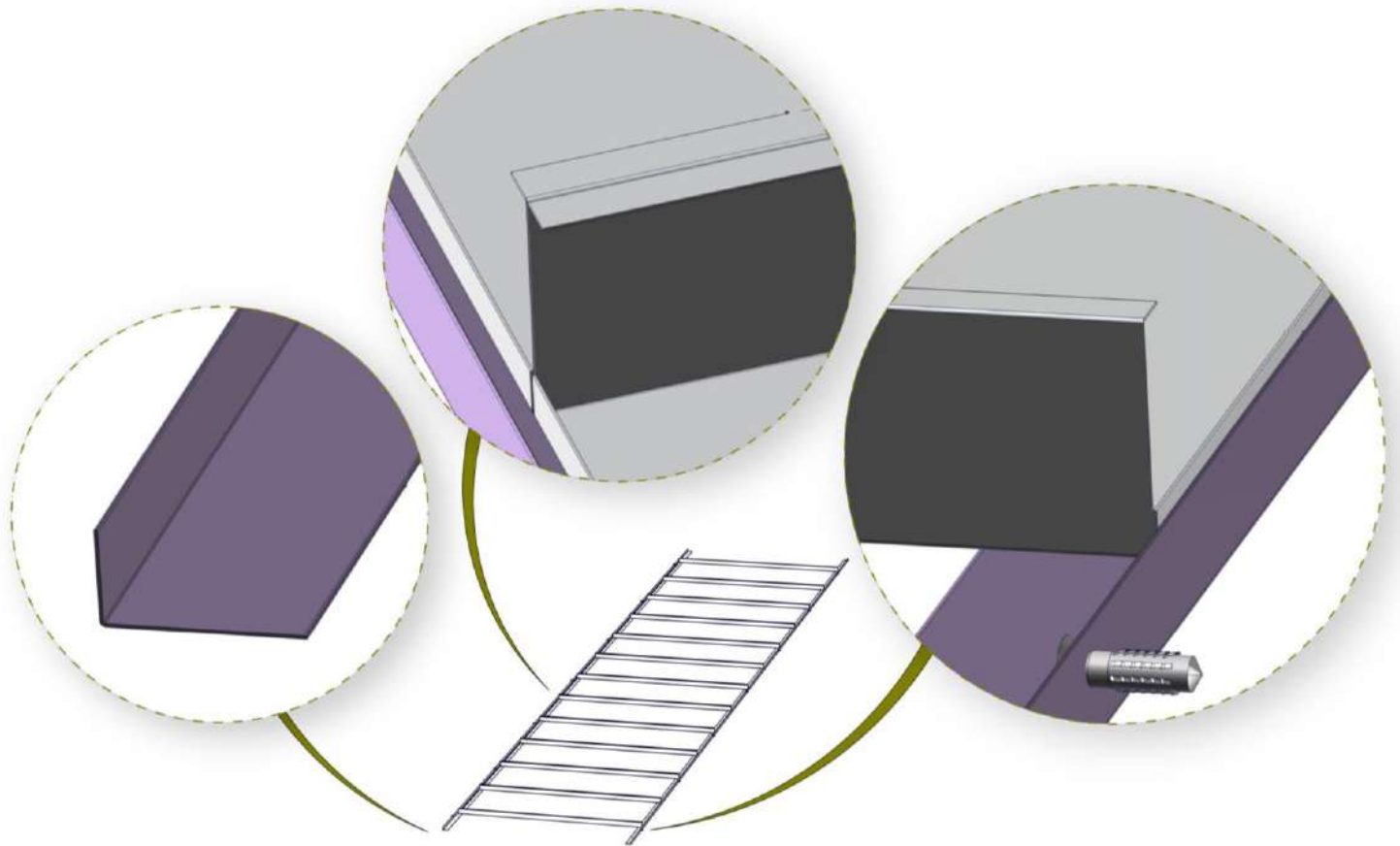
catalogue
2019-2020

LAY-ON CORRIDOR SYSTEM



- Simple assembly and disassembly .(the panels can be lifted and easily removed.)
- Cost efficiency .
- Short installation time.
- Create unique ceiling designs by variation in mesh types.

DETAIL VIEW



MATERIAL OPTIONS

Galvanized Steel/Aluminum / Stainless Steel

ACOUSTIC

High acoustic performance with acoustic fleece up to α_w : 1,00

HUMIDITY

Galvanize panel: 90% RH

Aluminum panel: 100 % RH

LIGHT REFLECTION

Straight Panel: 9010 Painted % 86

Perforated Panel : 9010 Painted % 72

HYGIENE

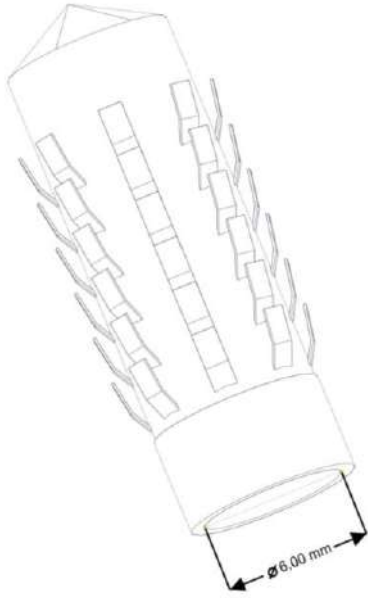
High performance in Blocking bacterial formation on panel surfaces by applying anti-microbial paint.

PAINT

Prior to paint. Sensitive surface cleaning and phosphate coverage is applied. 60 minimum micron powder paint is sprayed by electrostatic system through 6 robots and cooked in a 180 meters long oven. The entire painting process takes place automatically by computer control.

ELEMENT SPECIFICATION

1. Anchor



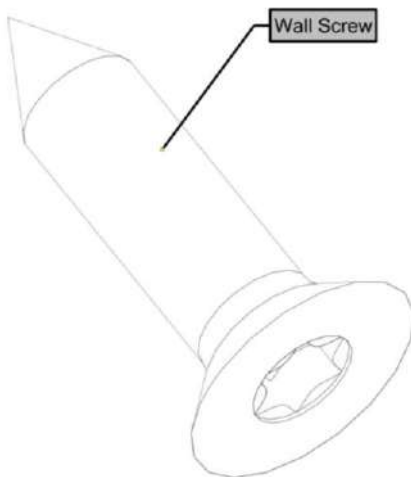
T : $\varnothing 6 \text{ mm}$ Galvanized Steel

2. L Perimeter Trim



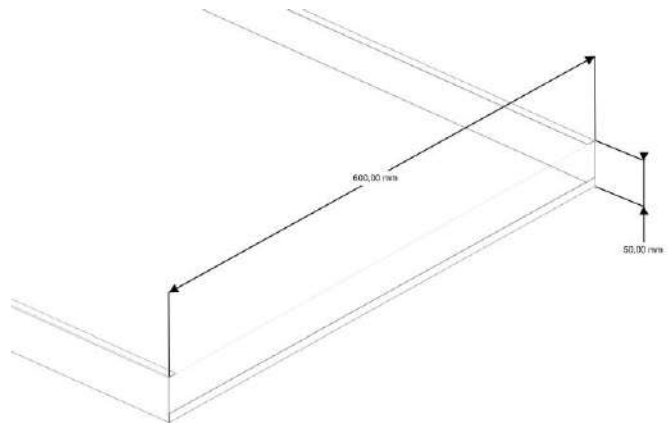
T : 0,50 mm Galvanized Steel
W : 50 mm H : 25 mm L : Up to 3000 mm

3. Wall screw



Type : Wall screw Steel

4. Lay-on Panel Corridor

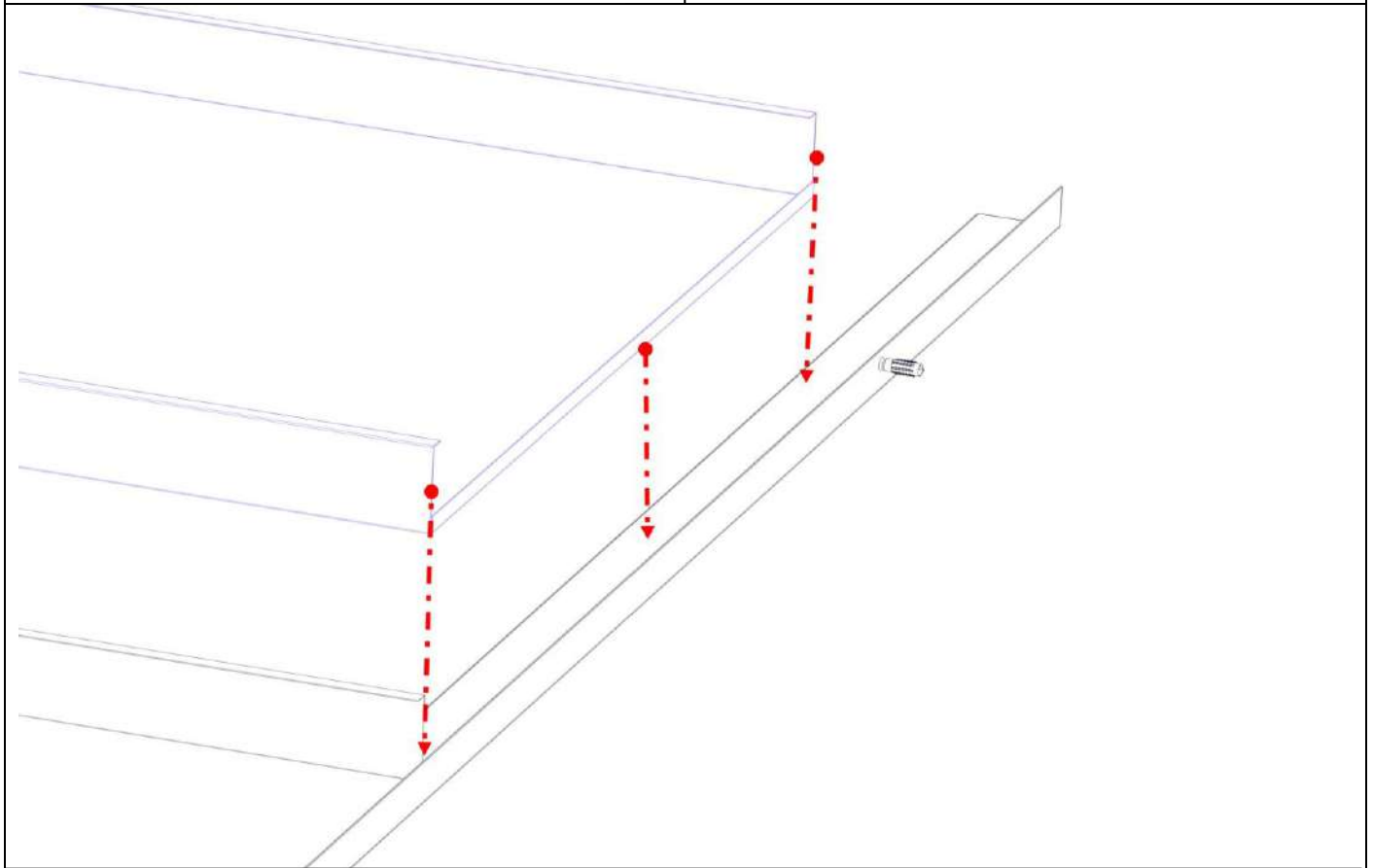
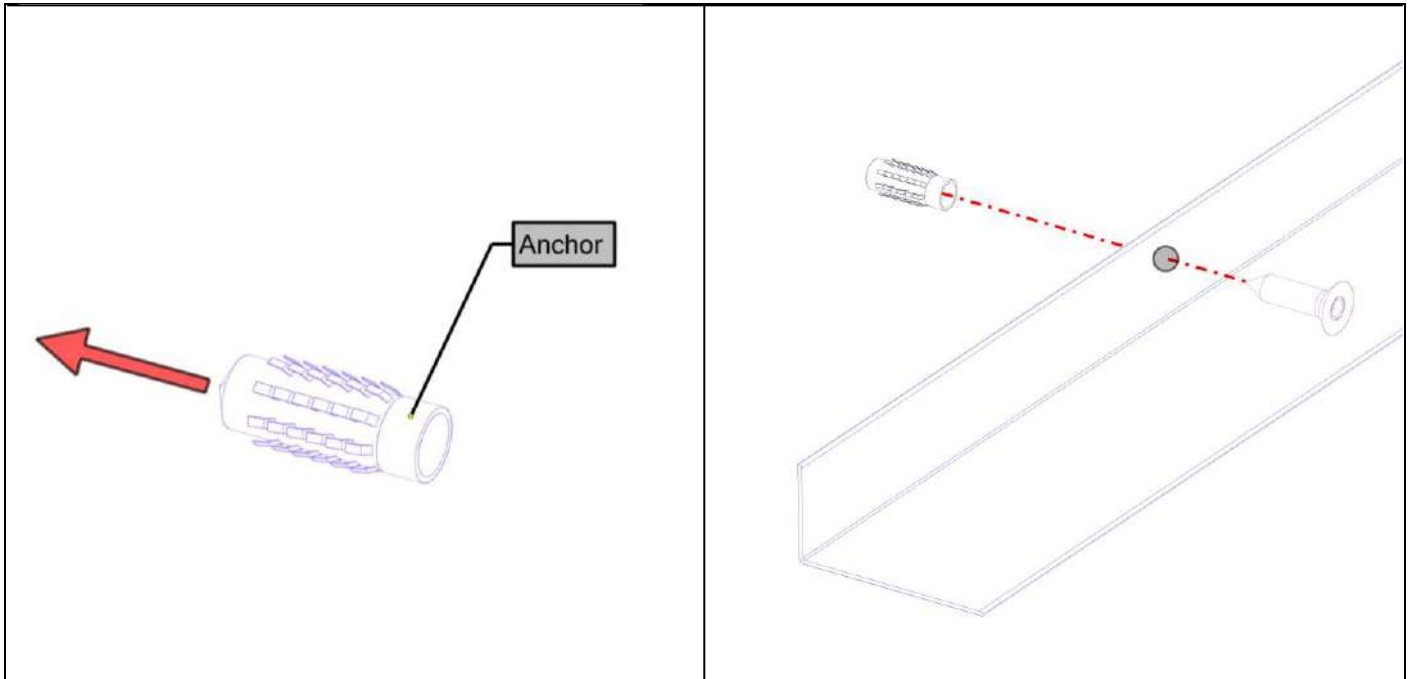


T : 0,50 mm Galvanized Steel / 0,60 mm Aluminum
W : Min 100 mm Max 900 mm L : Min 400 mm Max 2400 mm

ASSEMBLY TECHNIQUE

STEP 1.

STEP 2.



STEP 3.