



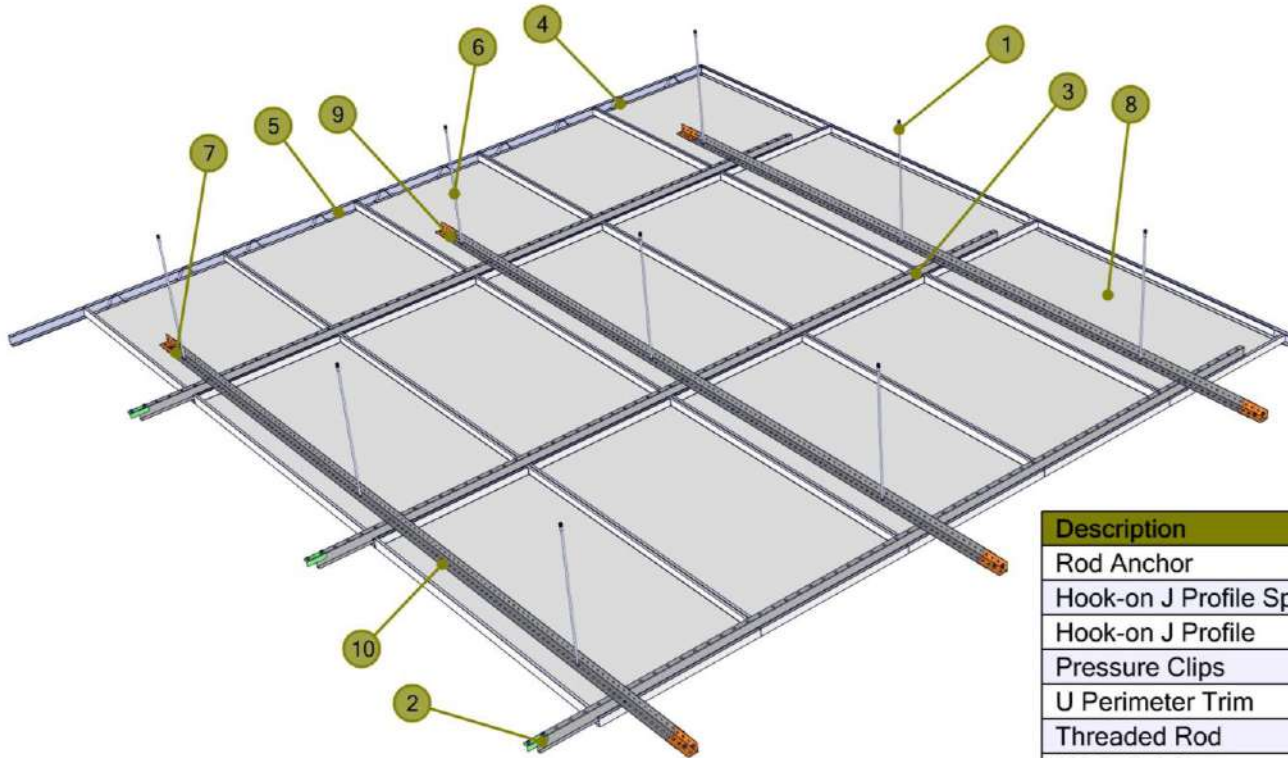
 **YEKMON**

ARCHITECTURE AND DESIGN

HOOK-ON SYSTEM STANDARD

catalogue
2019-2020

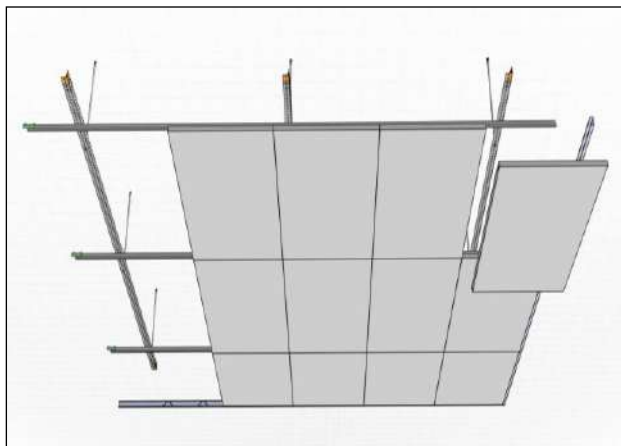
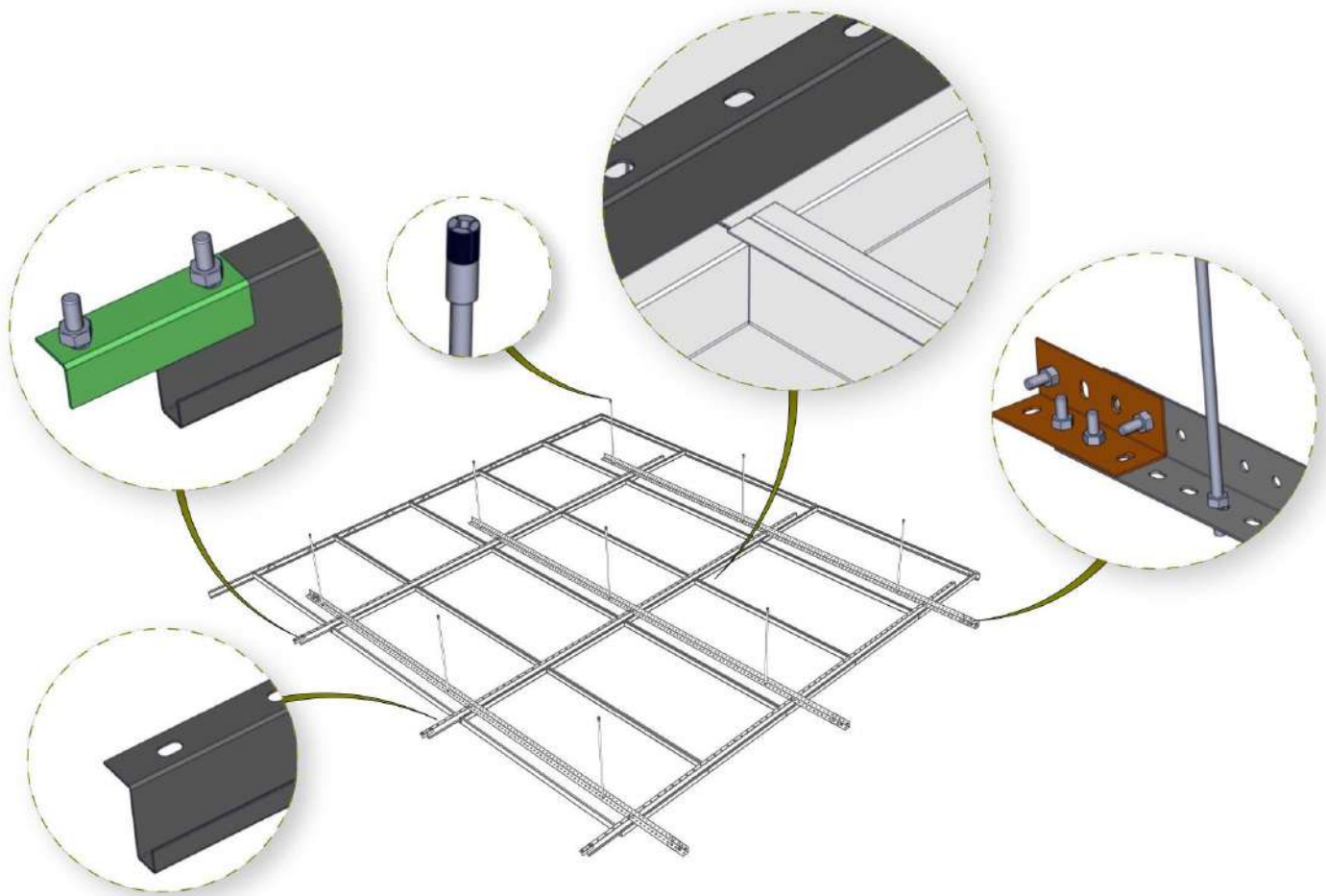
HOOK-ON SYSTEM



| Description | ID |
|---------------------------|----|
| Rod Anchor | 1 |
| Hook-on J Profile Splicer | 2 |
| Hook-on J Profile | 3 |
| Pressure Clips | 4 |
| U Perimeter Trim | 5 |
| Threaded Rod | 6 |
| M6 Bolt & Nut | 7 |
| Hook-on Panel | 8 |
| L Main Carrier Splicer | 9 |
| L Main Carrier Profile | 10 |

- It is much easier and safer to achieve designs with special size panels. Hook-on panels sit on J shaped cross carriers, which is hanged to L shaped Main carrier in cross direction.
- Due to being a concealed system, Hook-on panels have a monolithic look.
- It is very easy to install and demount. It is also possible to have different size panels in one system.

DETAIL VIEW



HYGIENE

High performance in Blocking bacterial formation on panel surfaces by applying anti-microbial paint.

PAINT

Prior to paint. Sensitive surface cleaning and phosphate coverage is applied. 60 minimum micron powder paint is sprayed by electrostatic system through 6 robots and cooked in a 180 meters long oven. The entire painting process takes place automatically by computer control.

MATERIAL OPTIONS

Galvanized Steel/Aluminum / Stainless Steel

ACOUSTIC

High acoustic performance with acoustic fleece up to α_w : 1,00

HUMIDITY

Galvanize panel: 90% RH

Aluminum panel: 100 % RH

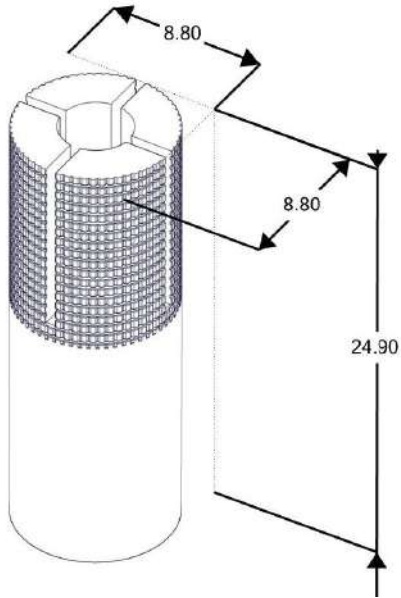
LIGHT REFLECTION

Straight Panel: 9010 Painted % 86

Perforated Panel : 9010 Painted % 72

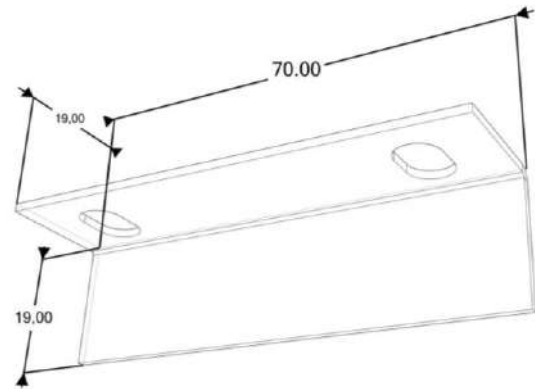
ELEMENT SPECIFICATION

1. Anchor



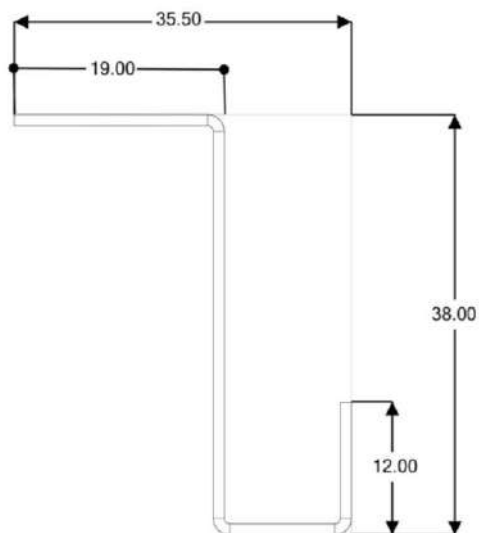
T : Ø 6 mm Galvanized Steel
H : 25 mm

2. Hook-on J Profile Splicer



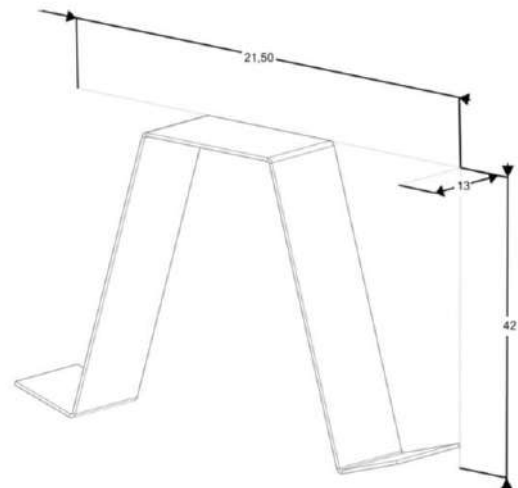
T : 1 mm Galvanized Steel
W : 19 mm H : 19 mm L : 70 mm

3. Hook-on J Profile

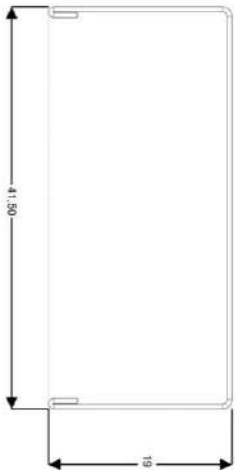
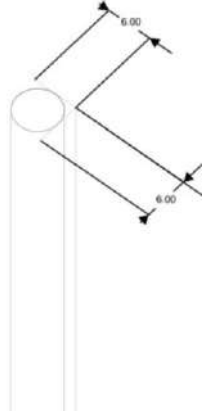
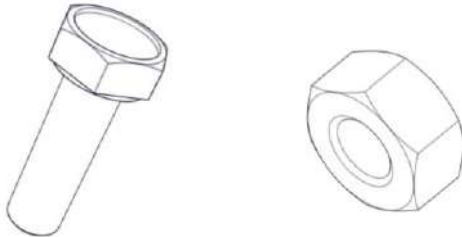
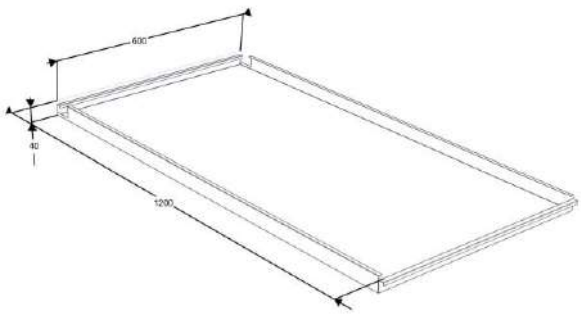
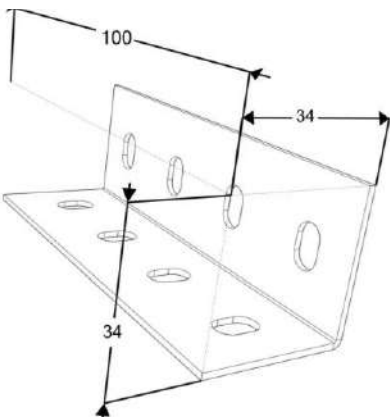
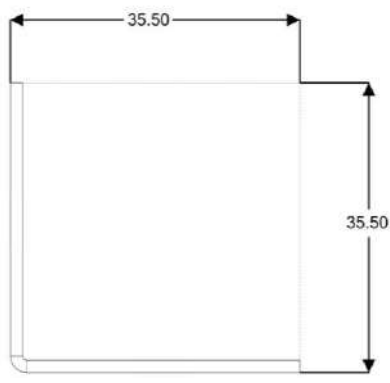


T : 1 mm Galvanized Steel
W : 35,5 mm H : 38 mm L : Up to 3000 mm

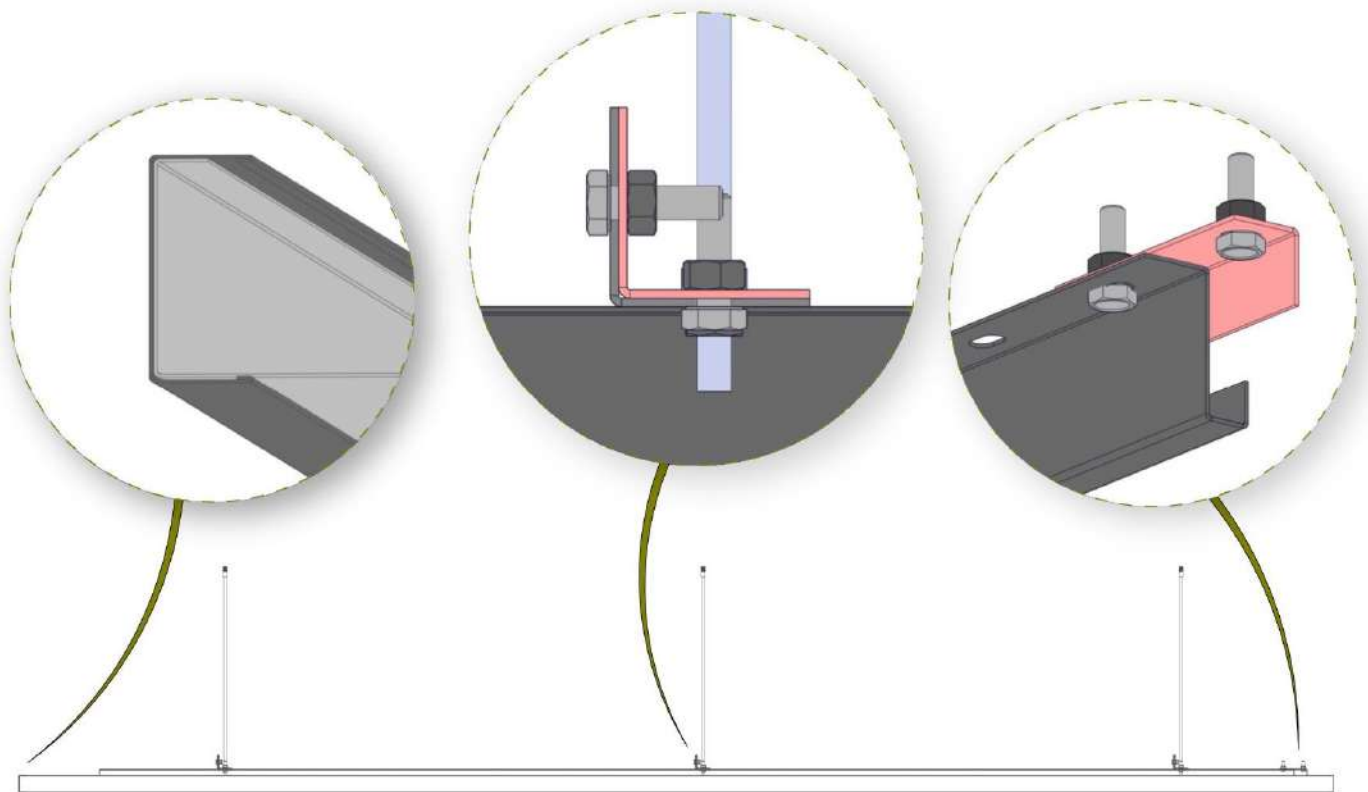
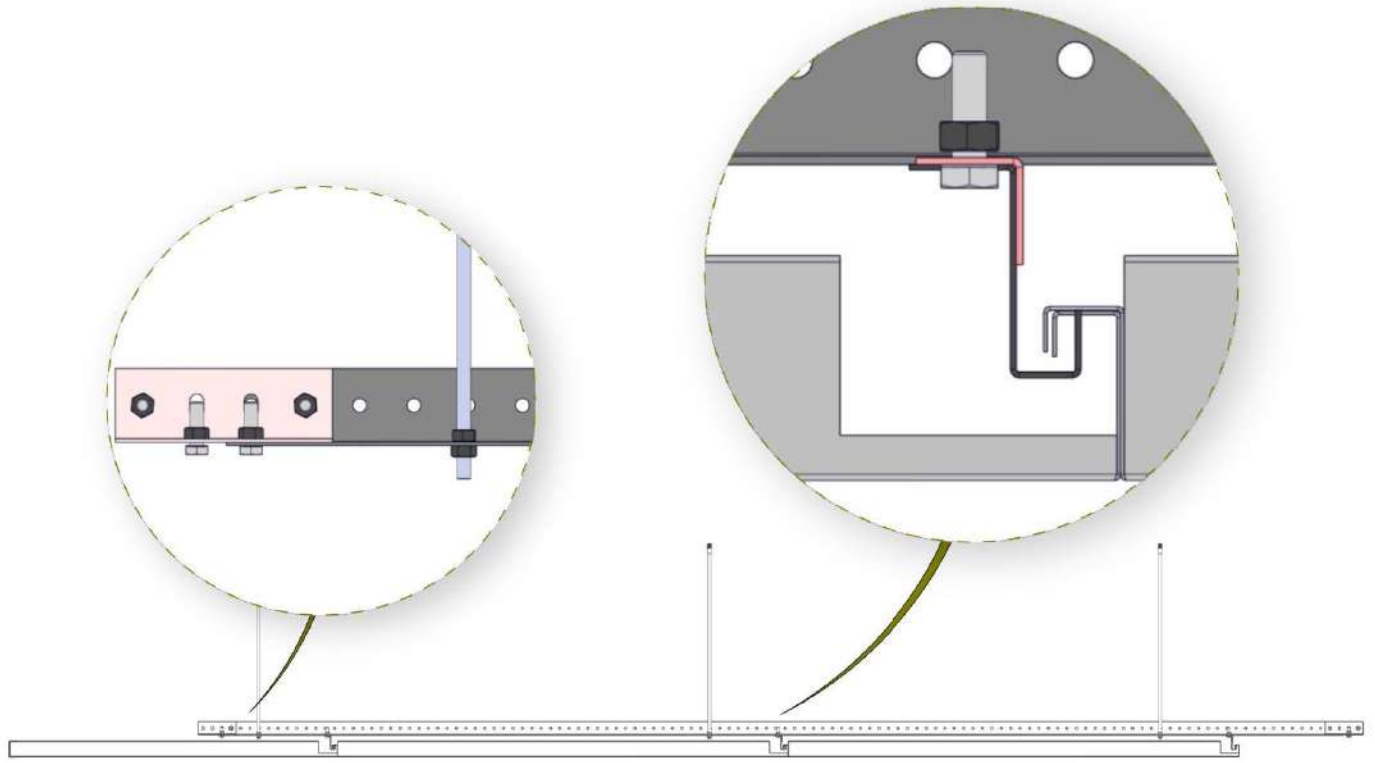
4. Pressure Clips



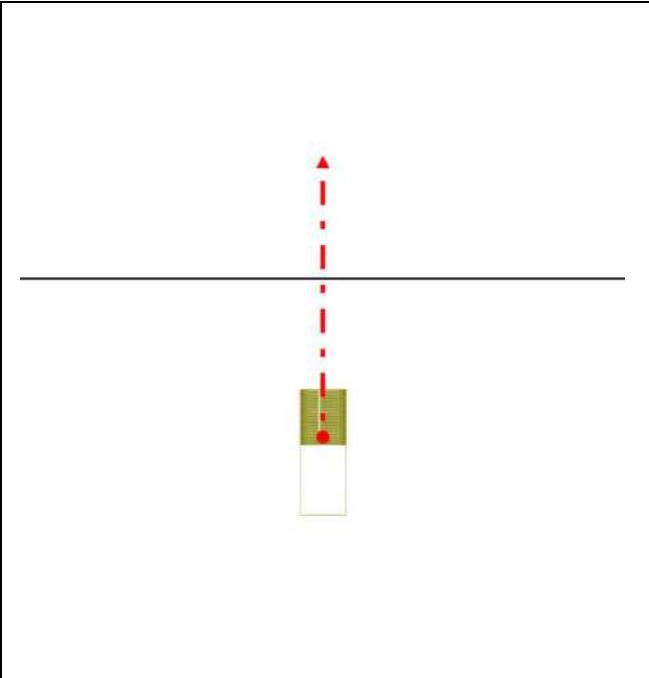
T : 0,50 mm Spring Steel

| | |
|--|---|
| <p>5. U Perimeter Trim</p>  | <p>6. M6 Threaded Rod</p>  |
| <p>T : 0,5 mm Pre-Painted Steel W : 19 mm H : 41,5 mm L : Up to 3000 mm</p> | <p>T : Ø 6 mm Galvanized Steel L : Max 2000 mm</p> |
| <p>7. M6x15 Bolt . M6 Nut</p>  | <p>8. Hook-on Panel</p>  |
| <p>Type : M6x20 Bolt and Nut Steel</p> | <p>T : 0,6 mm Galvanized Steel / 0.70 mm Aluminum</p> |
| <p>9. L Main Carrier Splicer</p>  | <p>10. L Main Carrier Profile</p>  |
| <p>T : 1 mm Galvanized Steel W : 34 mm H : 34 mm L : 100 mm</p> | <p>T : 1,5 mm Galvanized Steel W : 35,5 mm H : 35,5 mm L : up to 3000 mm</p> |

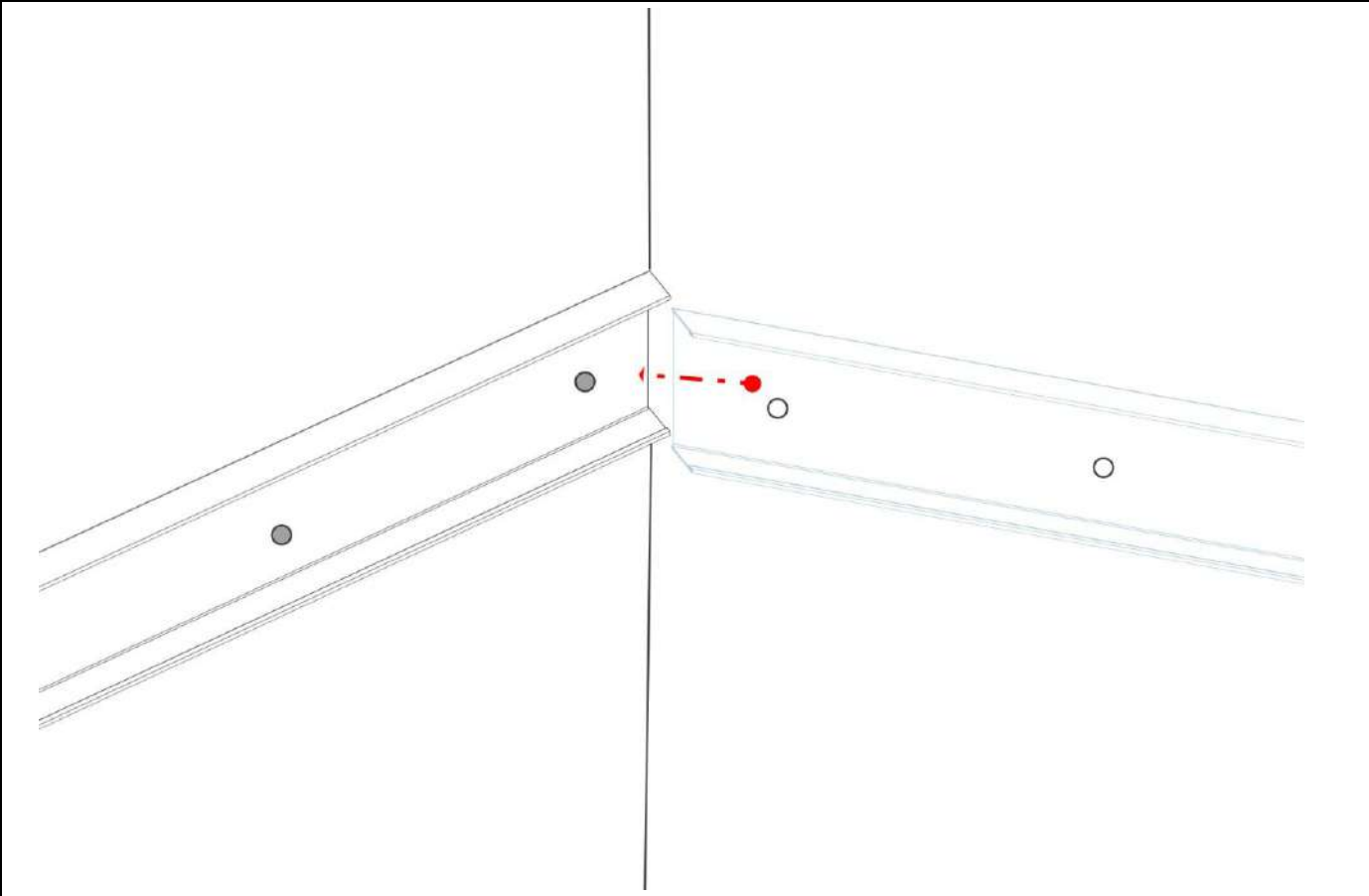
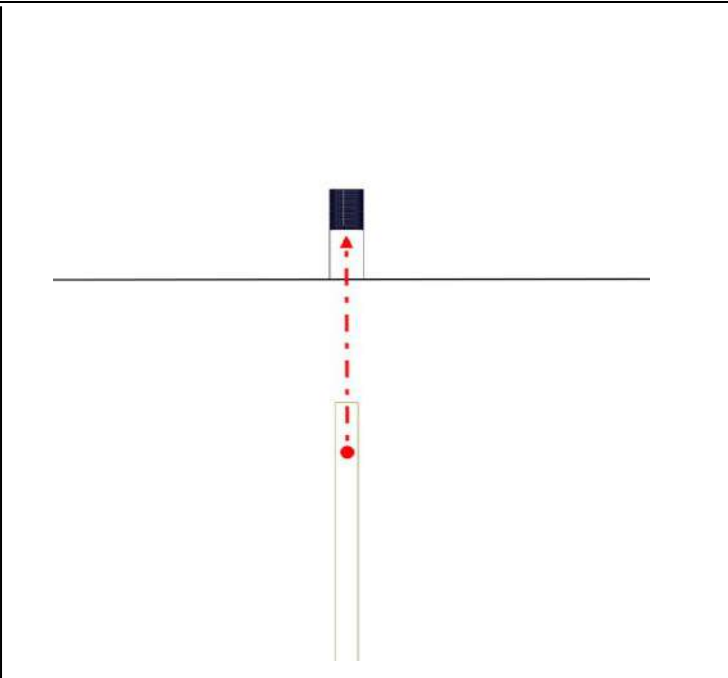
DETAIL SECTION



STEP 1.

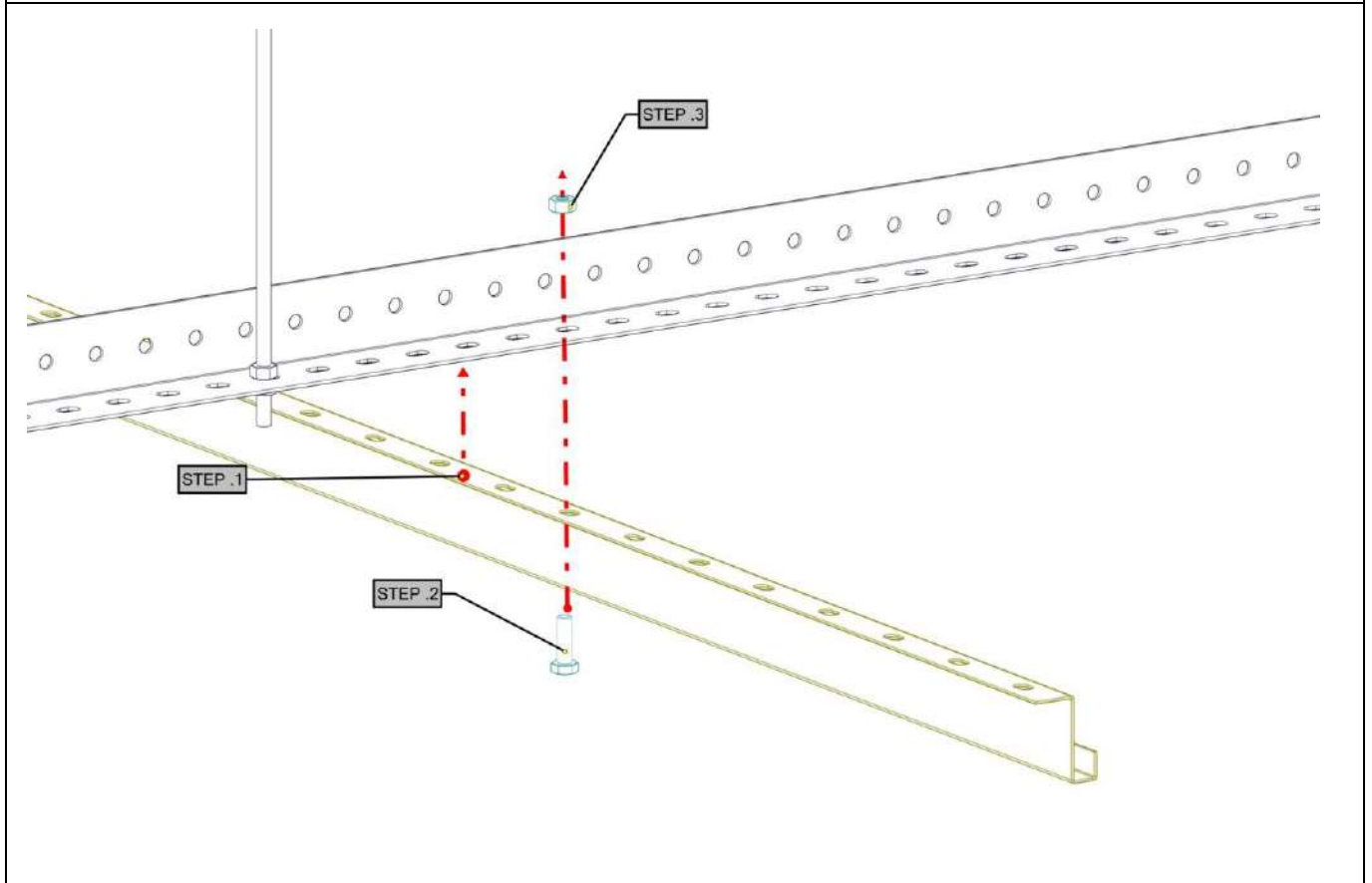
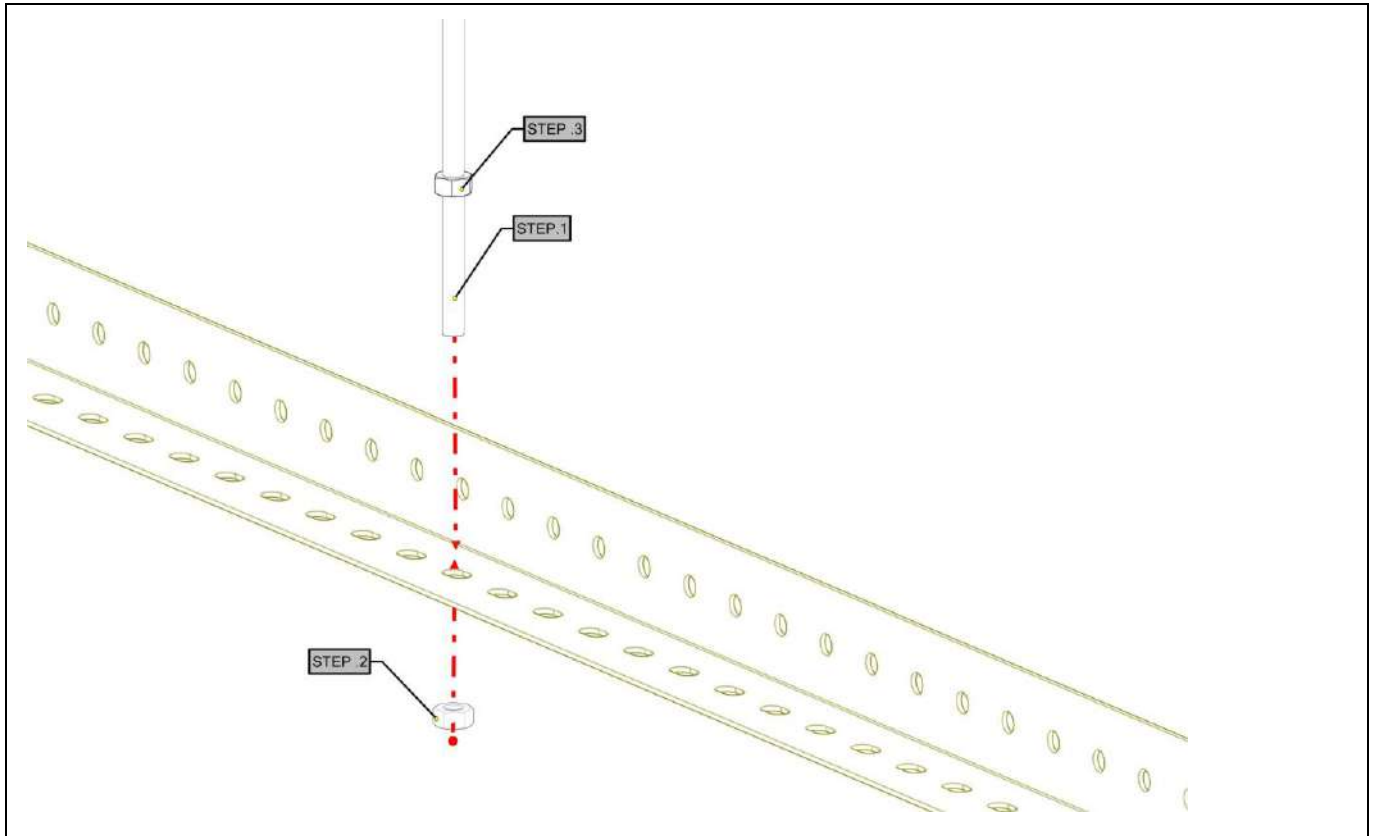


STEP 2.



STEP 3.

STEP 4.



STEP 5.

STEP 6.

