



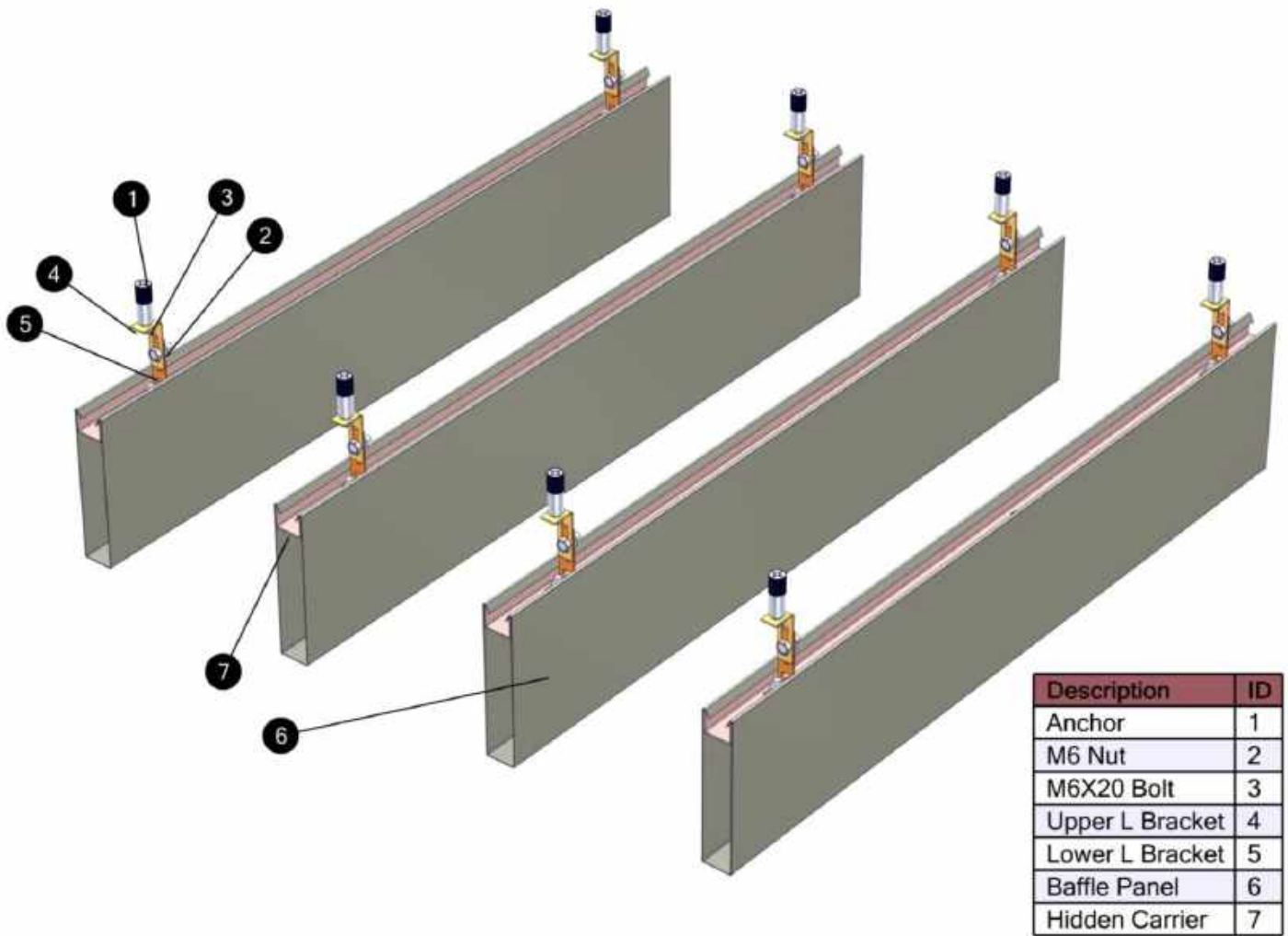
 **YEKMON**

ARCHITECTURE AND DESIGN

HIDDEN BAFFLE CARRIER SYSTEM

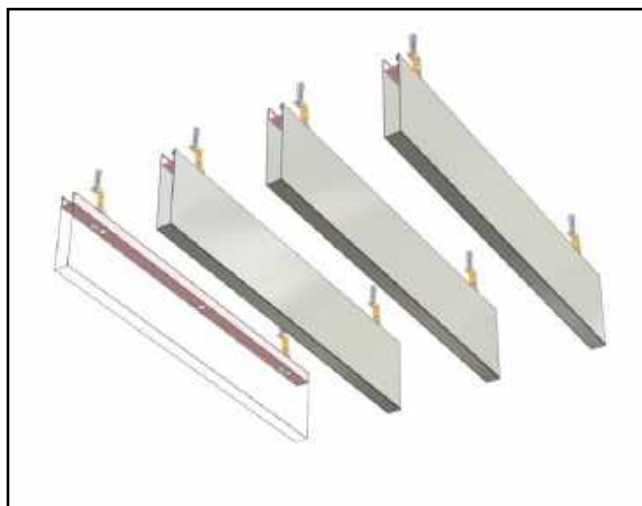
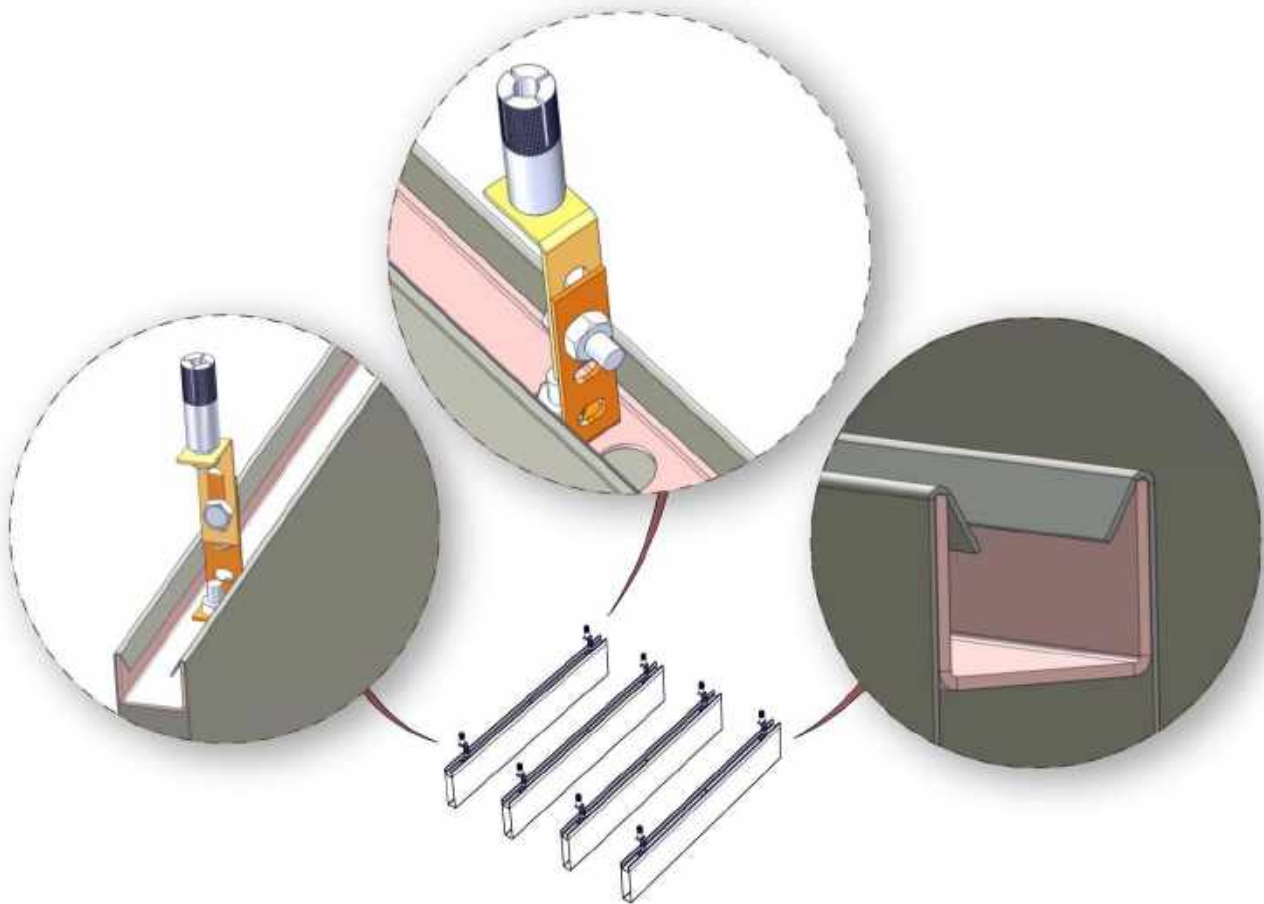
catalogue
2019-2020

HIDDEN BAFFLE CARRIE SYSTEM



- With no visible carrier crossing between panels, this system offer most clear lines for ceilings.
- Gap between panels can be adjusted at any point during installation.

DETAIL VIEW



MATERIAL OPTIONS

Galvanized Steel/Aluminum / Stainless Steel

ACOUSTIC

High acoustic performance with acoustic fleece up to α_w : 1,00

HUMIDITY

Galvanize panel: 90% RH

Aluminum panel: 100 % RH

LIGHT REFLECTION

Straight Panel: 9010 Painted % 86

Perforated Panel : 9010 Painted % 72

HYGIENE

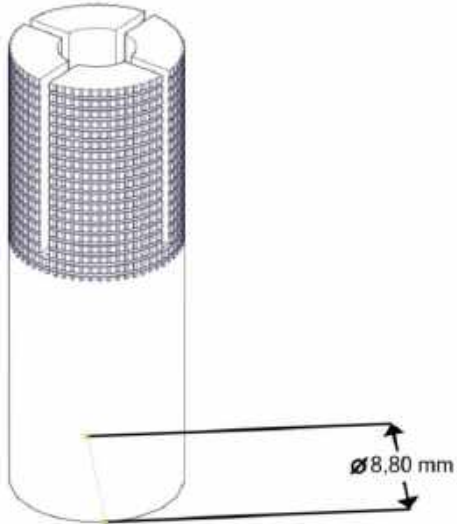
High performance in Blocking bacterial formation on panel surfaces by applying anti-microbial paint.

PAINT

Prior to paint. Sensitive surface cleaning and phosphate coverage is applied. 60 minimum micron powder paint is sprayed by electrostatic system through 6 robots and cooked in a 180 meters long oven. The entire painting process takes place automatically by computer control.

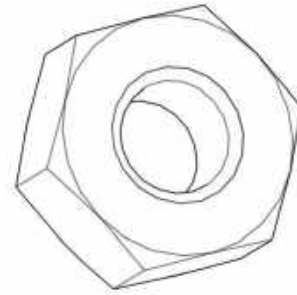
ELEMENT SPECIFICATION

1. Anchor



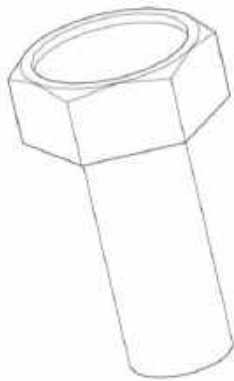
T : $\varnothing 6$ mm Galvanized Steel
H : 25 mm

2. M6 Nut



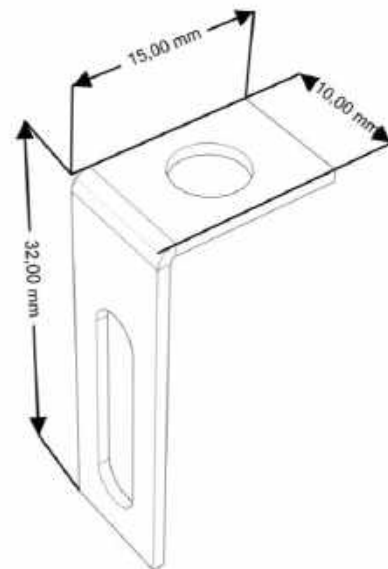
Type : M6 Nut Steel

3. M6 Bolt



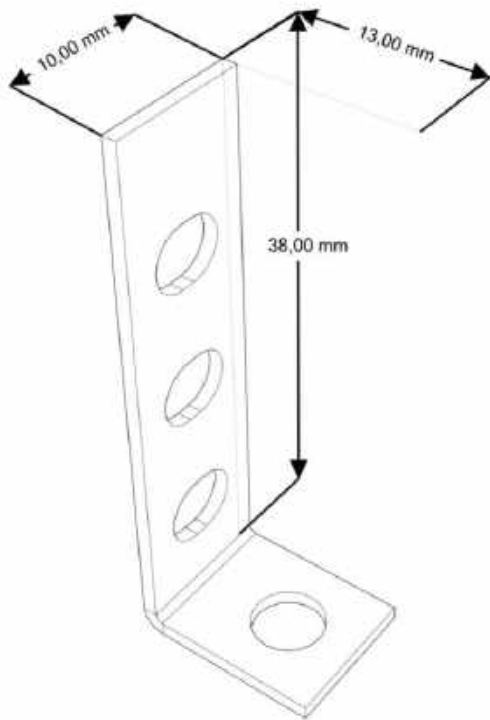
Type : M6x20 Bolt Steel

4. Upper L Bracket



T : 1 mm Galvanized Steel
W : 10 mm H : 32 mm L : 15 mm

5. Lower L Bracket



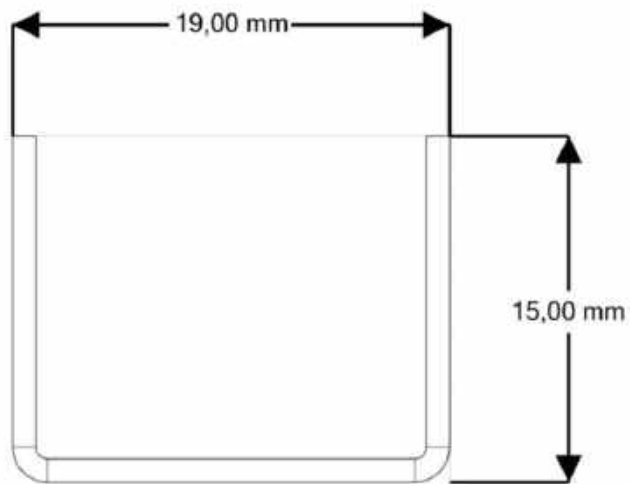
T : 1 mm Galvanized Steel
W : 10 mm H : 38 mm L : 13 mm

6. Baffle Panel



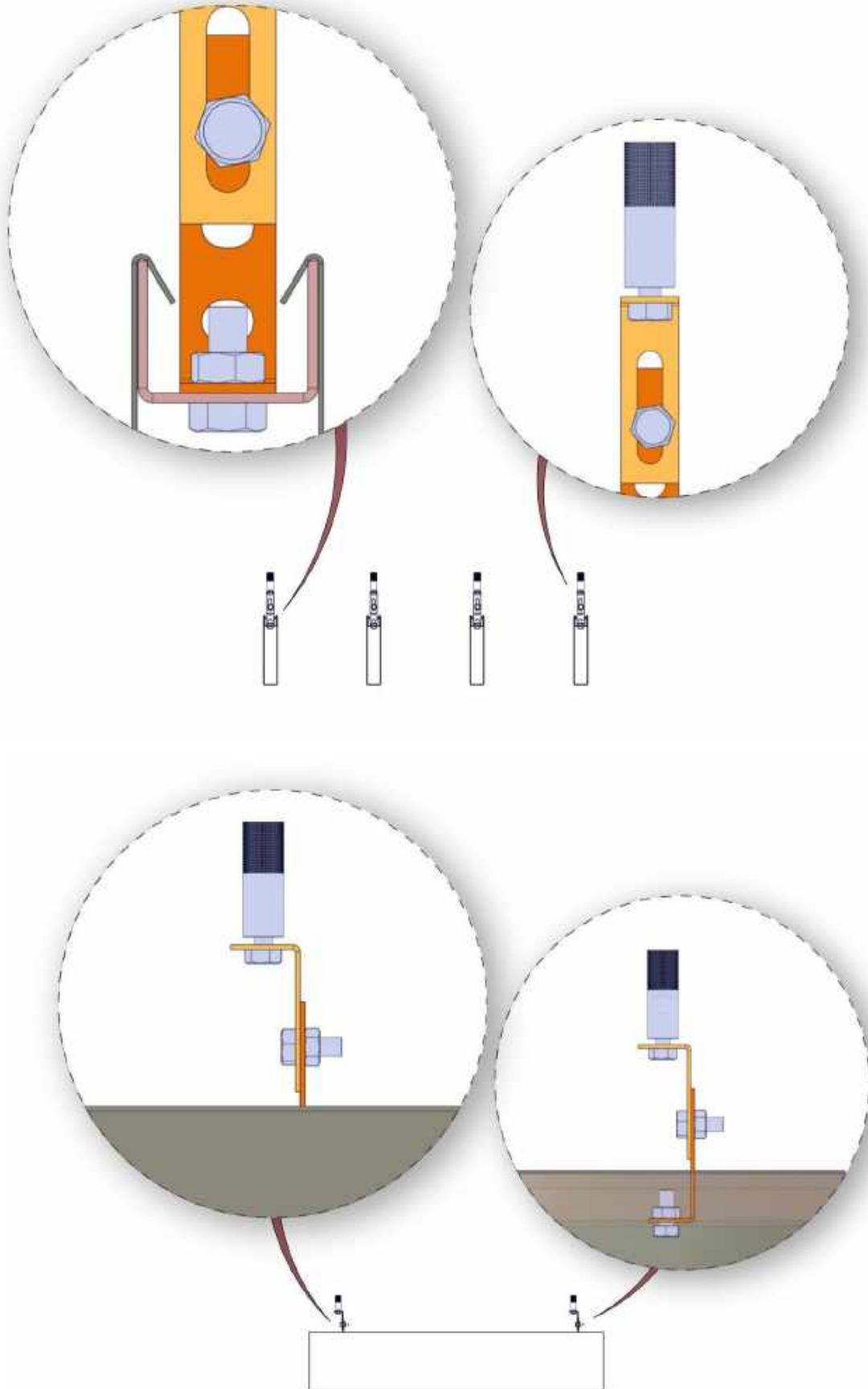
T : 0,50 mm Galvanized Steel / 0,60 mm Aluminum
W : 20 / 30 / 40 / 50 mm H : Min 40 mm Max 300

7. Hidden Carrier

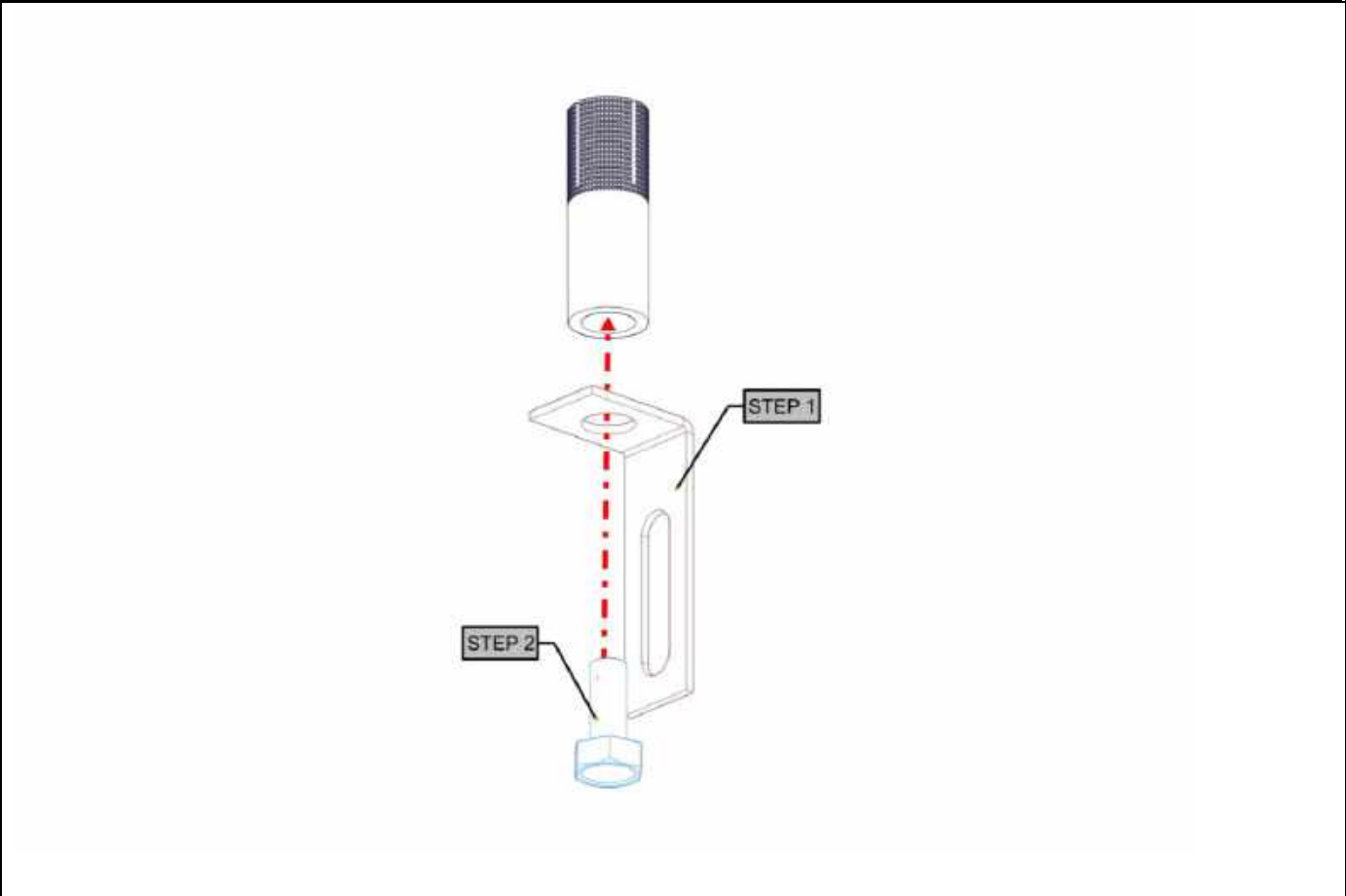
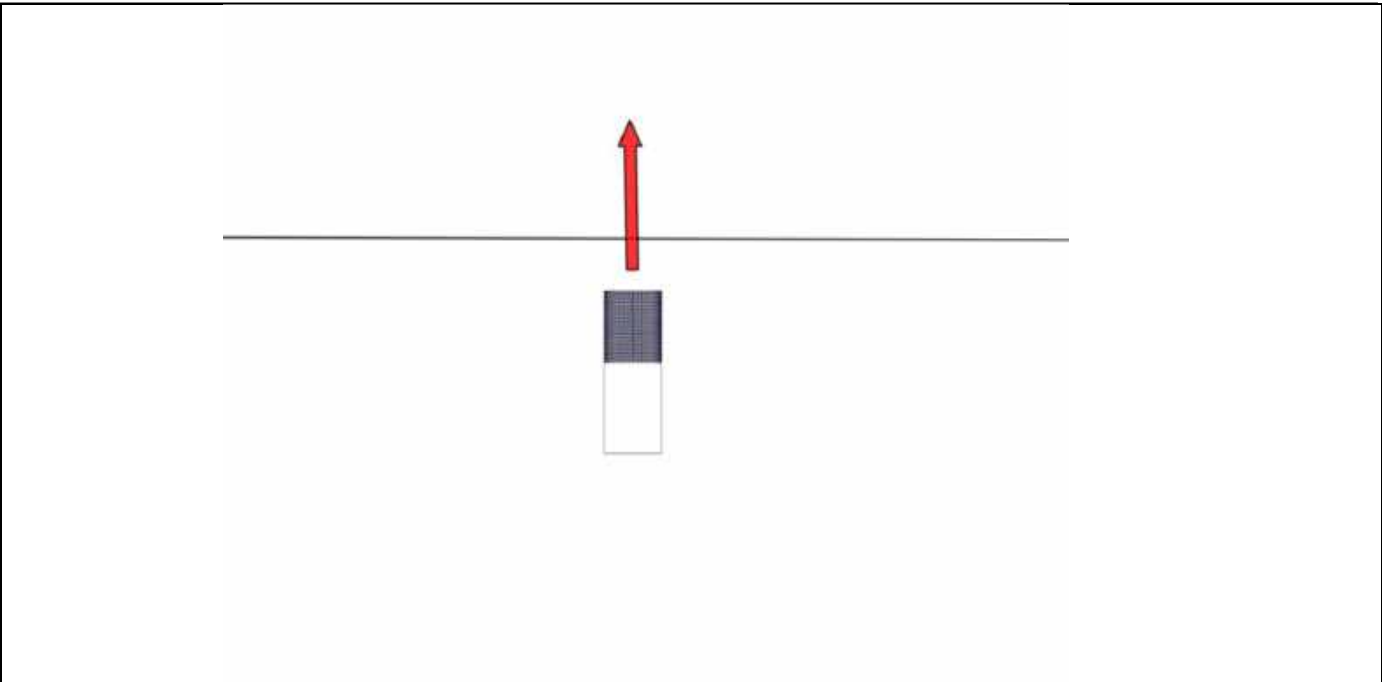


T : 1 mm Galvanized Steel
W : 19 mm H : 15 mm L : Up to 3000 mm

DETAIL SECTION

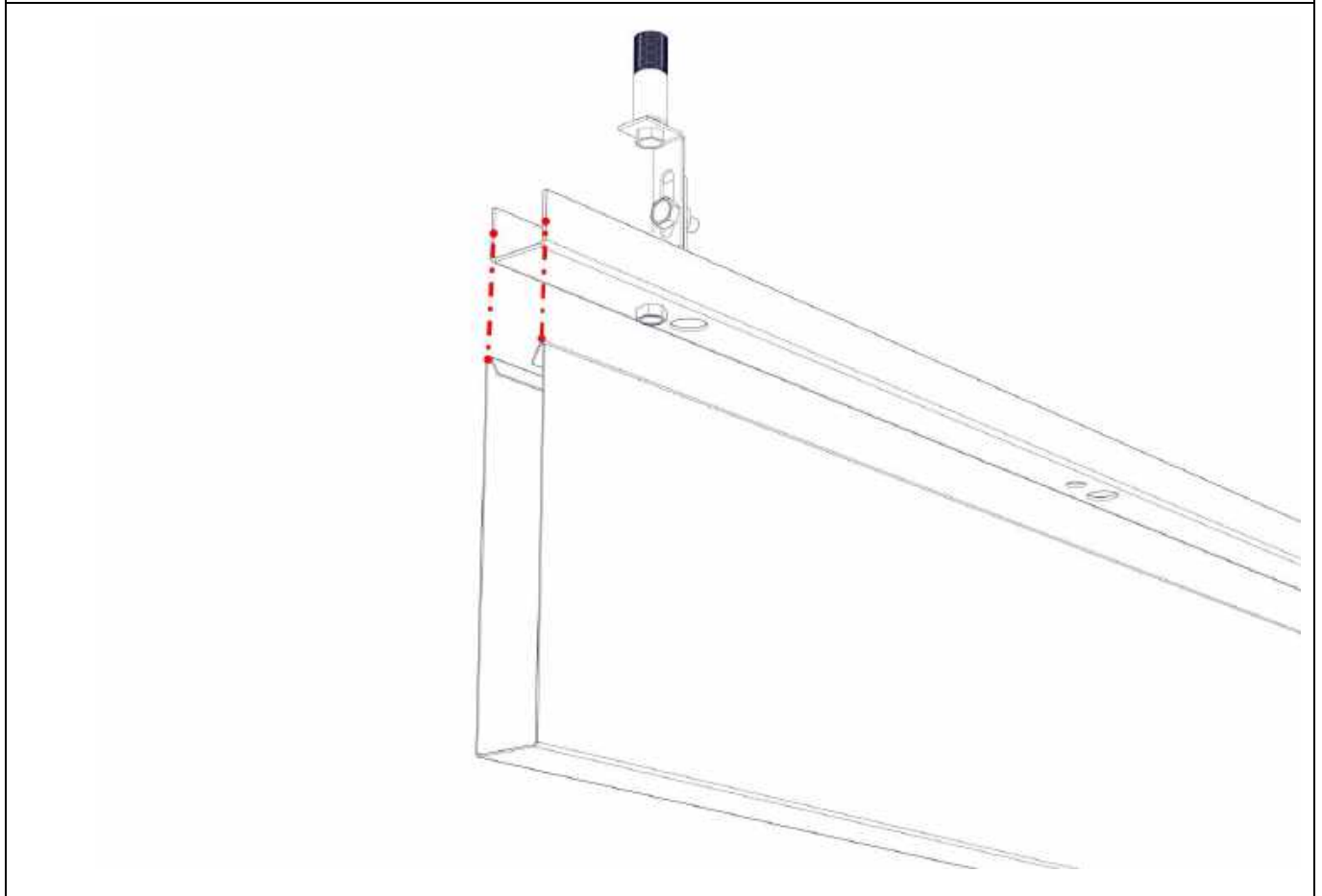
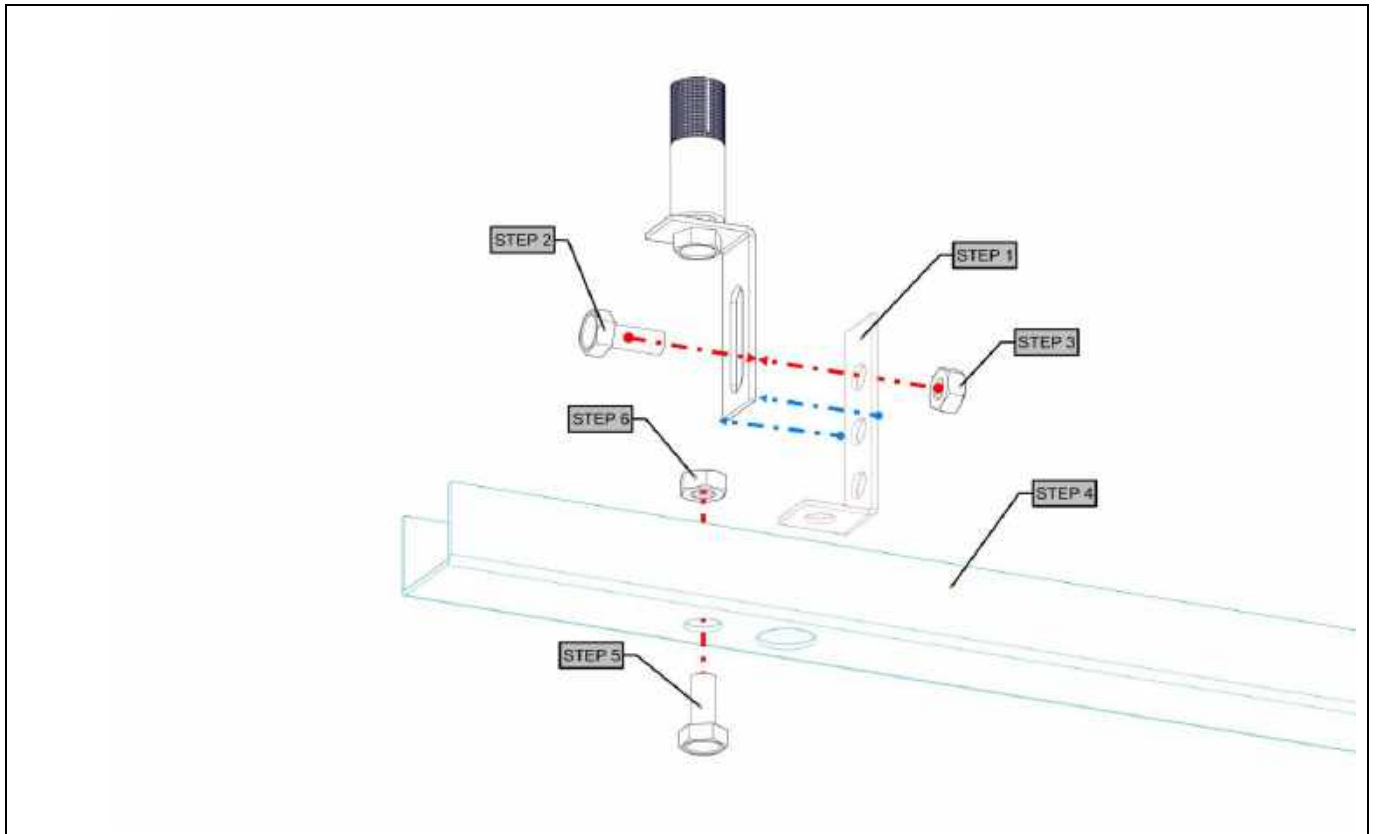


STEP 1.



STEP 2.

STEP 3.



STEP 4.