



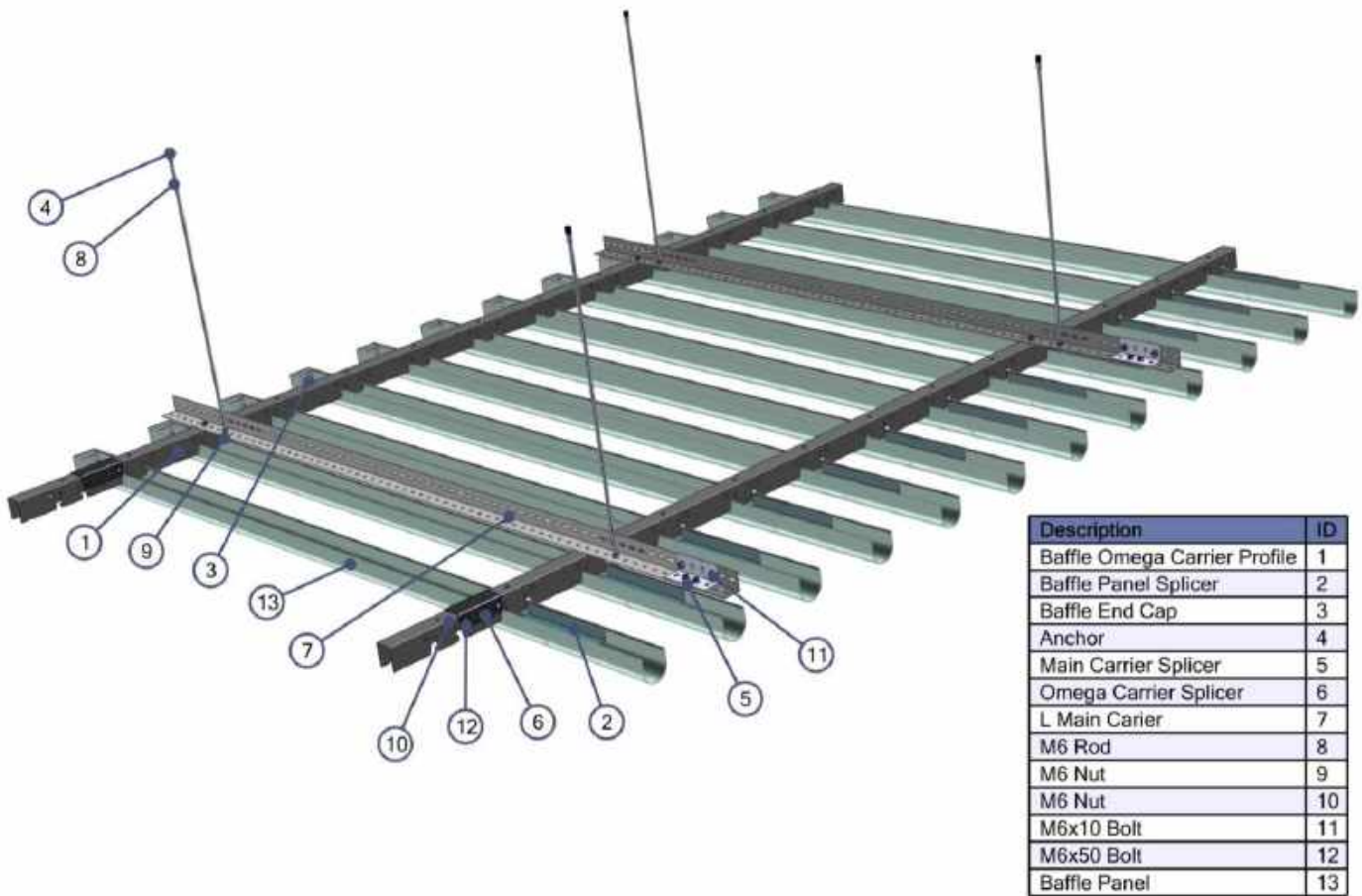
 YEKMON

ARCHITECTURE AND DESIGN

GEOMETRIC SYSTEM

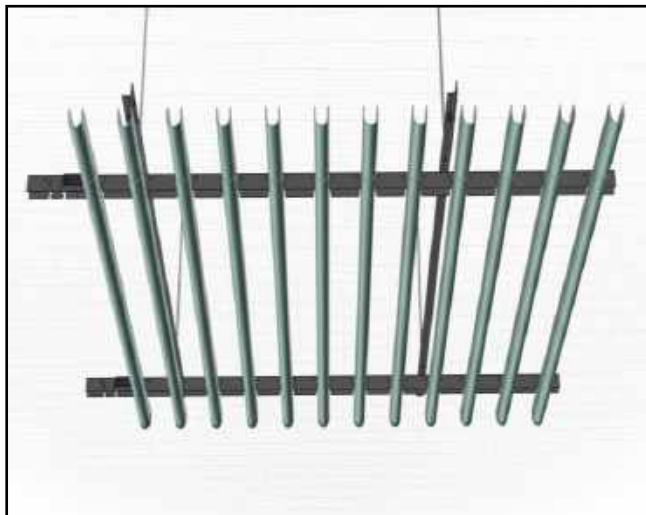
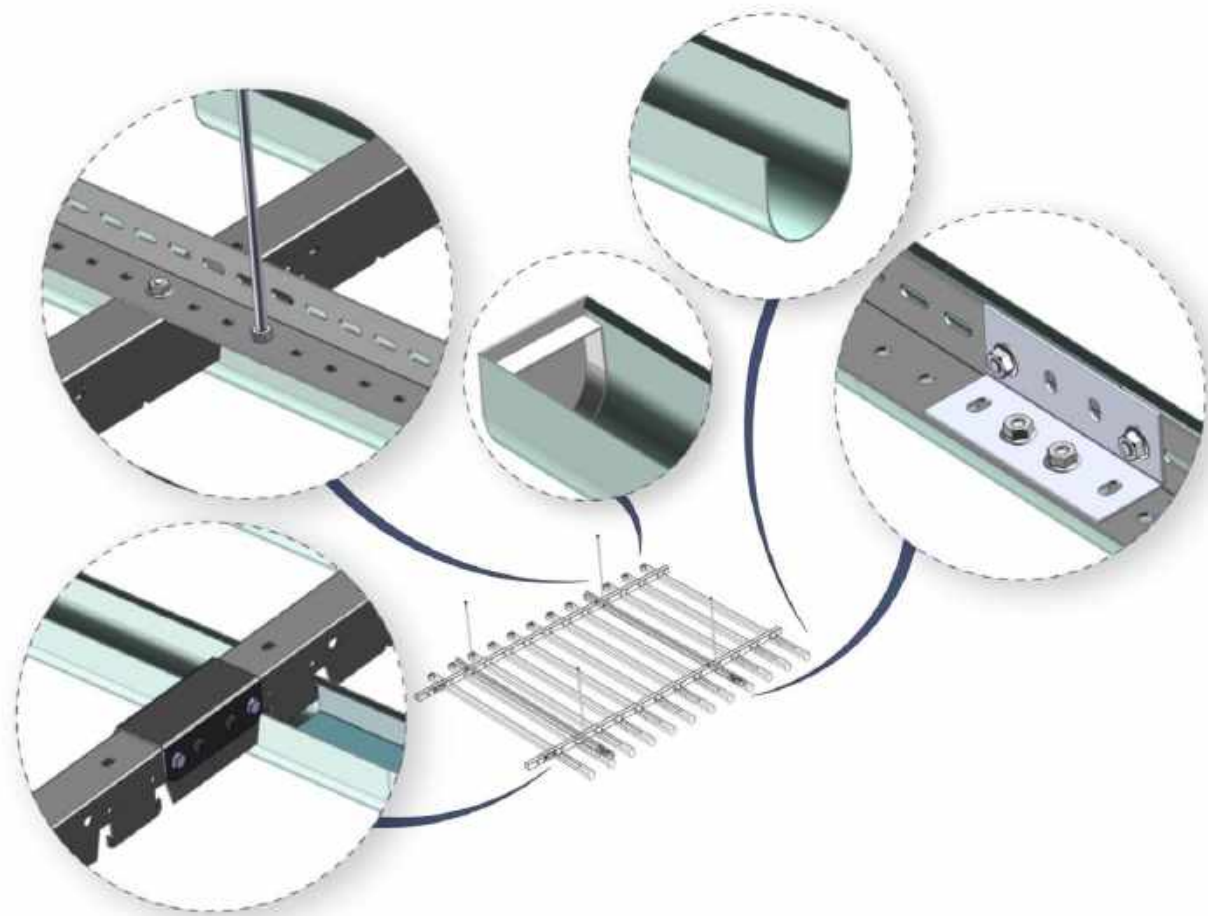
catalogue
2019-2020

GEOMETRIC SYSTEM



- For special architectural projects, **C baffle ceiling system** is preferred to get impressive ceiling designs. Because of having special lock system, in carrier profiles, it provides saving time at labor cost.
- Axis gap and panel sizes are possible in special dimensions which provides design flexibility for projects.

DETAIL VIEW



MATERIAL OPTIONS

Galvanized Steel/Aluminum

ACOUSTIC

High acoustic performance with acoustic fleece up to α_w : 1,00

HUMIDITY

Galvanize panel: 90% RH

Aluminum panel: 100 % RH

LIGHT REFLECTION

Straight Panel: 9010 Painted % 86

Perforated Panel : 9010 Painted % 72

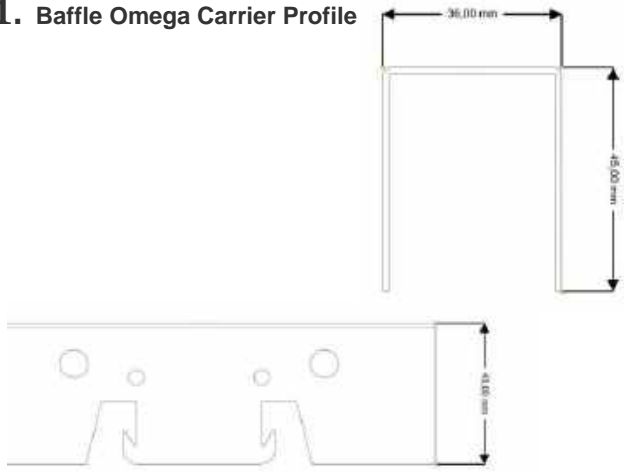
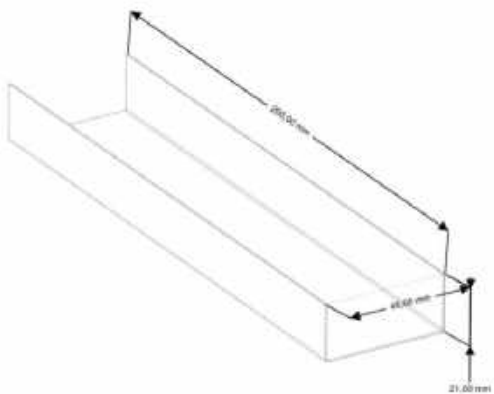
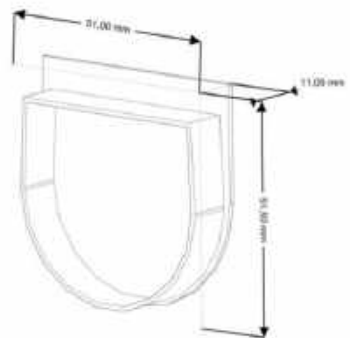

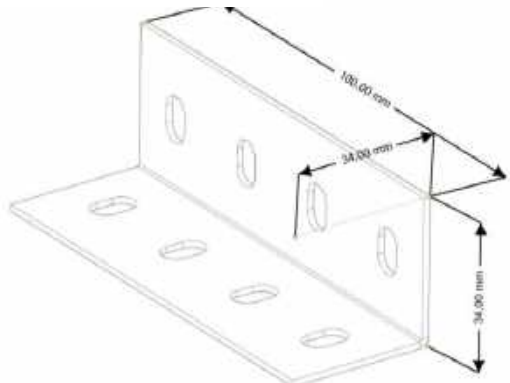
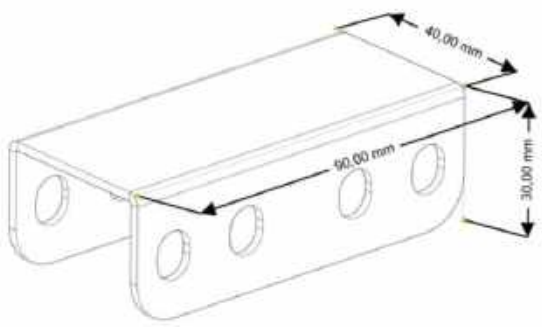
HYGIENE

High performance in blocking bacterial formation on panel surfaces by applying anti-microbial paint.

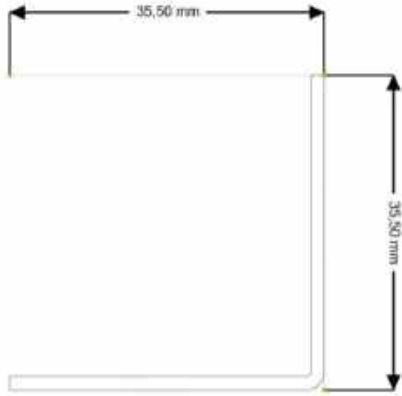
PAINT

Prior to paint. Sensitive surface cleaning and phosphate coverage is applied. minimum 60 micron powder paint is sprayed by electrostatic system through 6 robots and cooked in a 180 meters long oven. The entire painting process takes place automatically by computer control.

ELEMENT SPECIFICATION

<p>1. Baffle Omega Carrier Profile</p> 	<p>2. Baffle Panel Splicer</p> 
<p>T : 1 mm Galvanized Steel W : 36 mm H : 45 mm L : up to 3000 mm</p>	<p>T : 0,50 mm Galvanized Steel W : 46 mm H : 21 mm L : 200 mm</p>
<p>3. Panel End Cap</p> 	<p>4. Anchor</p> 
<p>T : 1 mm Galvanized Steel W : 51 mm H : 51,50 mm L : 11 mm</p>	<p>T : Ø 6 mm Galvanized Steel H : 25 mm</p>
<p>5. Main Carrier Splicer</p> 	<p>6. Omega Carrier Splicer</p> 
<p>T : 1 mm Galvanized Steel W : 34 mm H : 34 mm L : 100 mm</p>	<p>T : 1,5 mm Galvanized Steel W : 40 mm H : 30 mm L : 90 mm</p>

7. L Main Carrier



T : 1,5 mm Galvanized Steel
W : 35,5 mm **H** : 35,5 mm **L** : Up to 3000 mm

8. M6 Rod



T : $\varnothing 6$ mm Galvanized Steel
L : Max 2000 mm

9. M6 Nut



10. M8 Nut



11. M6X10 Bolt



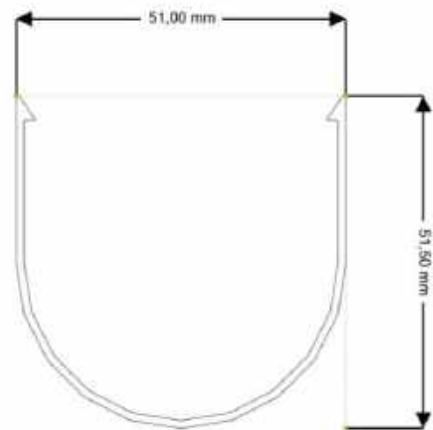
Type : M6 Nut Steel / M8 Nut Steel

Type : M6 Bolt Steel

12. M8X50 Bolt



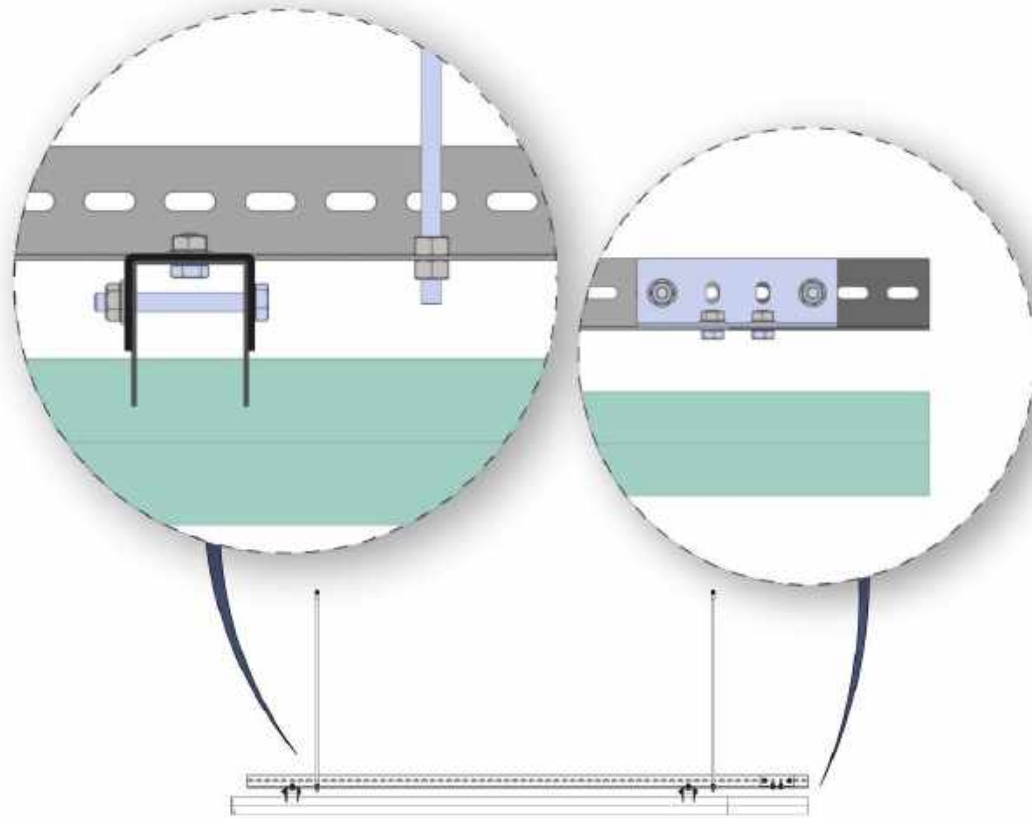
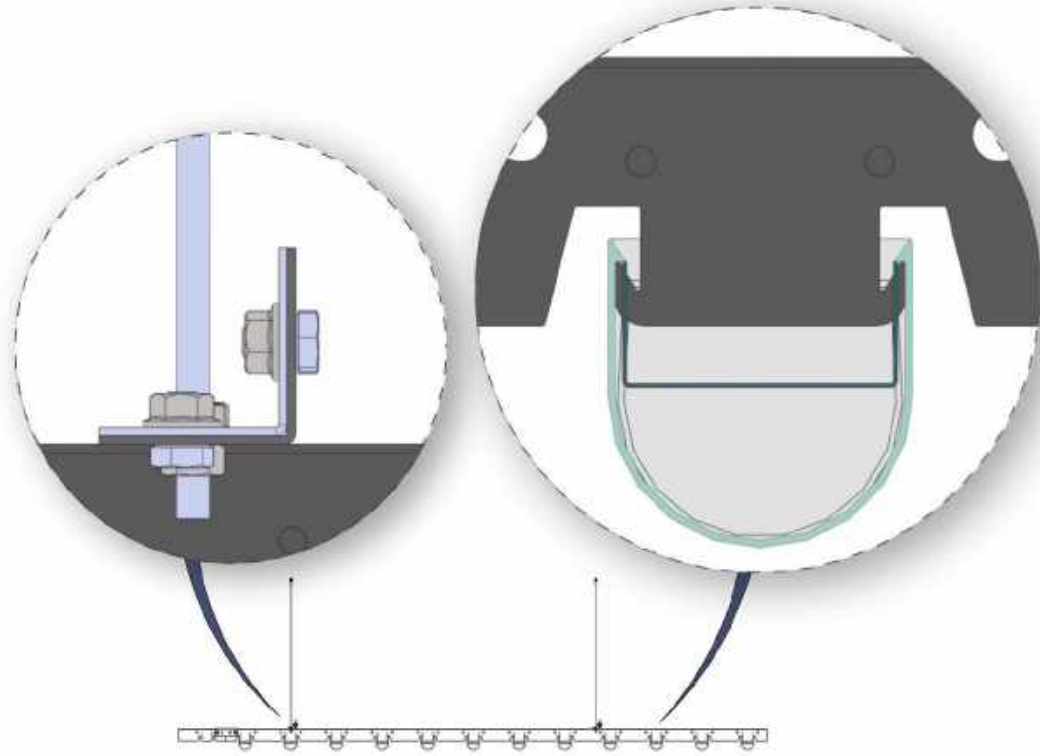
13. Baffle Panel



Type : M8x50 Bolt Steel

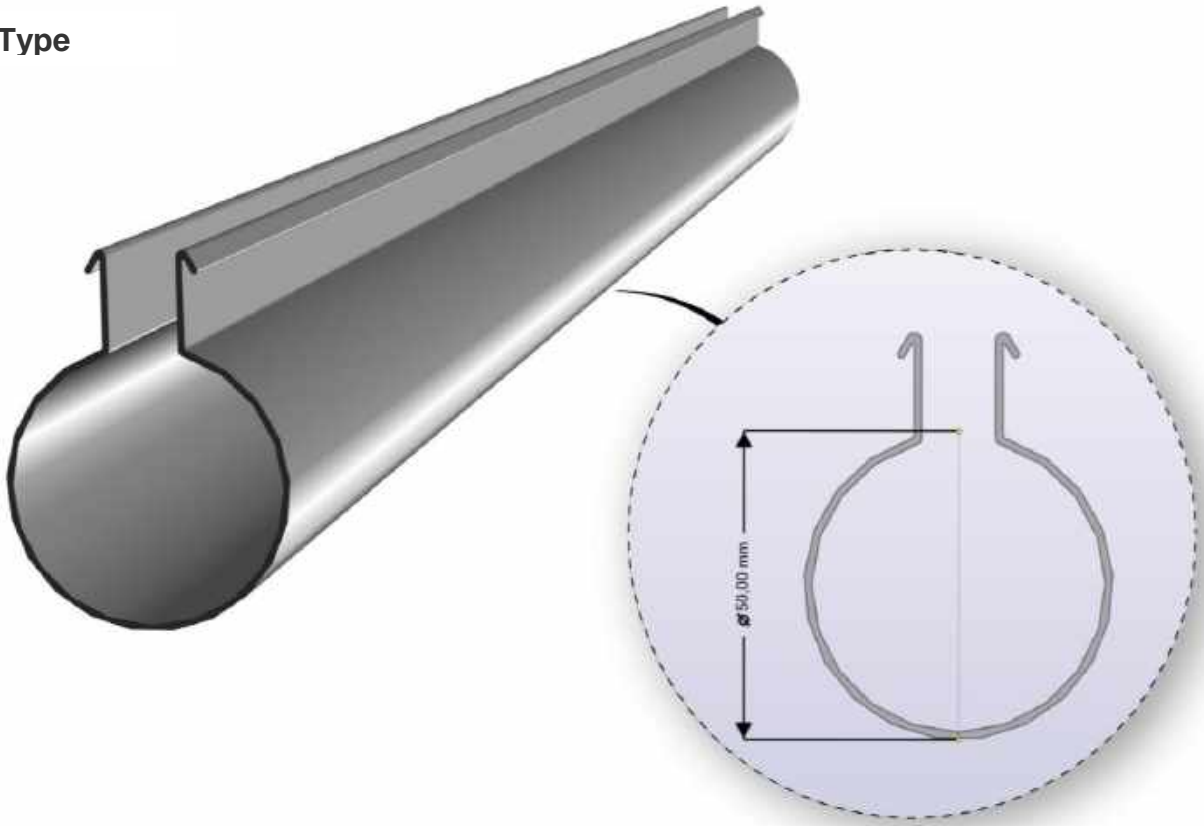
T : 1,50 mm Galvanized Steel
W : 51 mm **H** : 51,50 mm **L** : up to 3000 mm

DETAIL SECTION

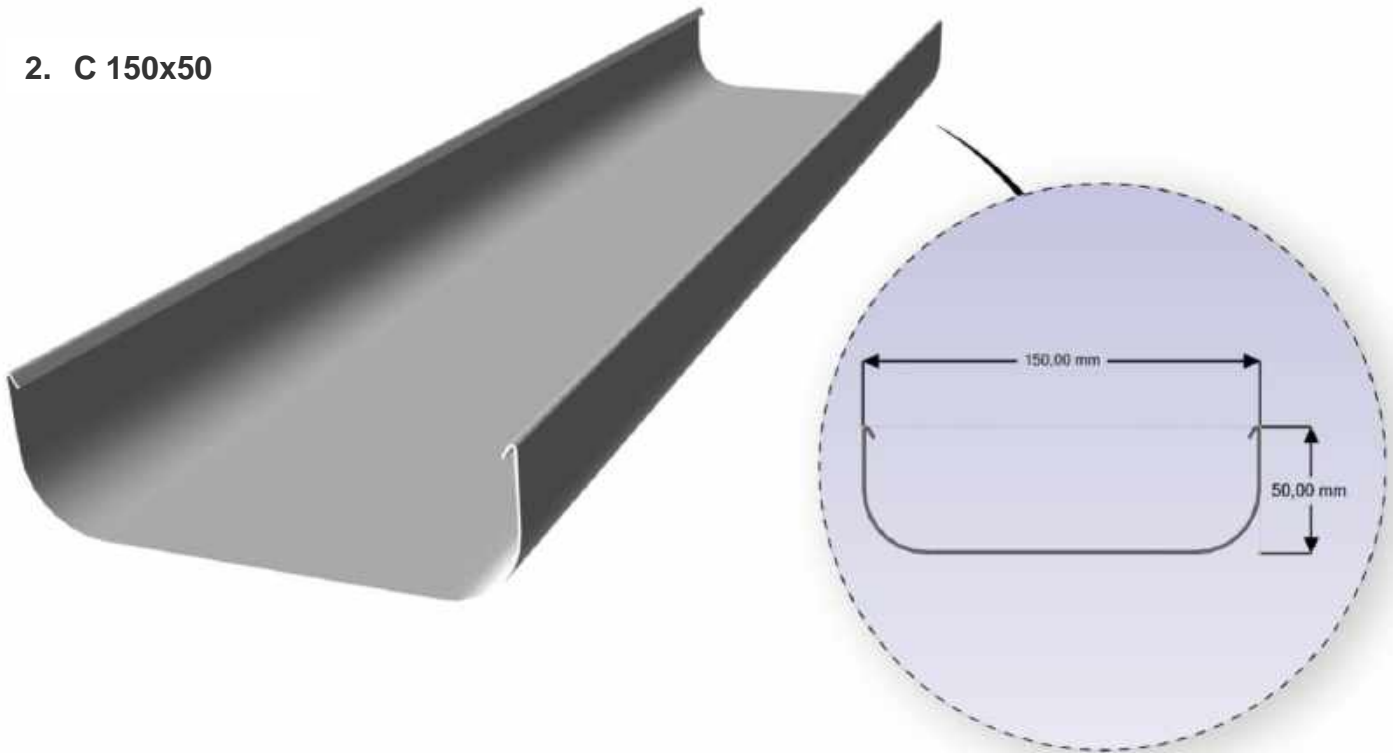


GEOMETRIC ALTERNATIVES

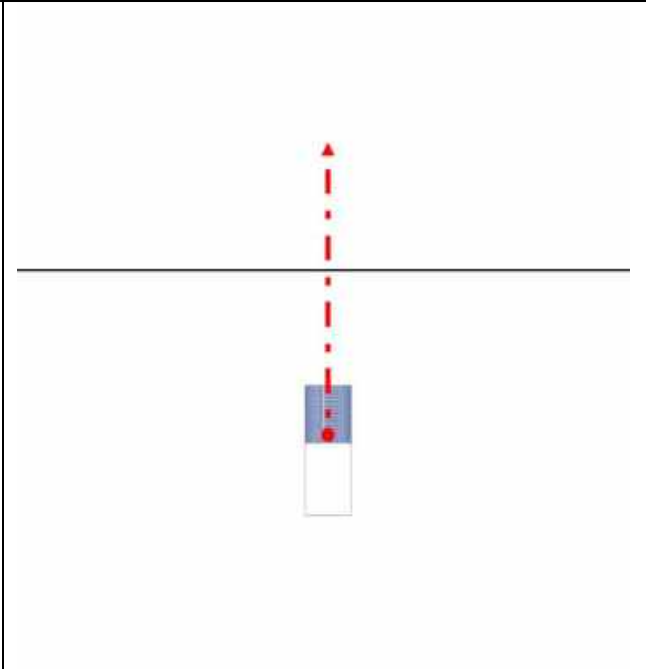
1. Tube Type



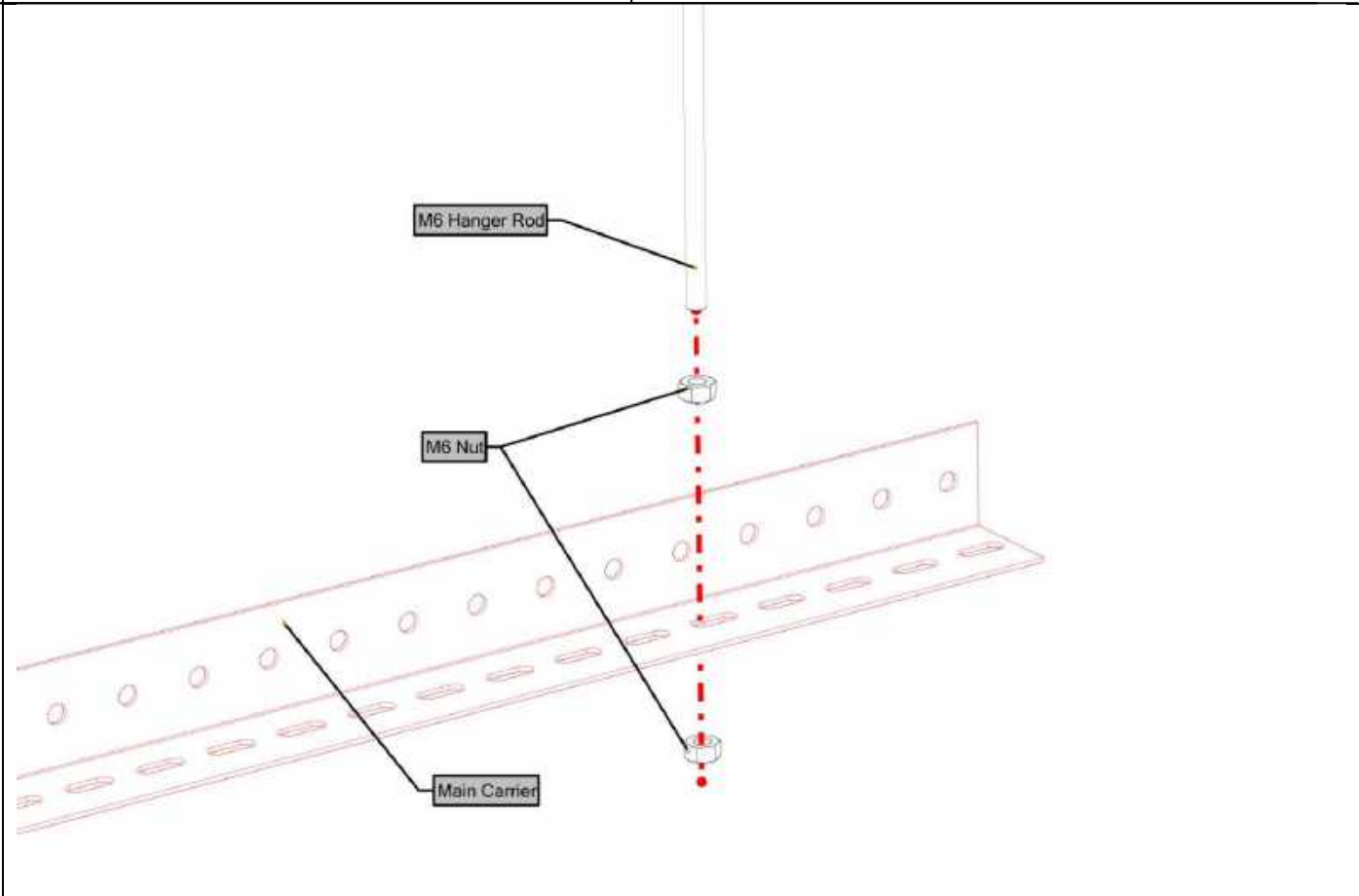
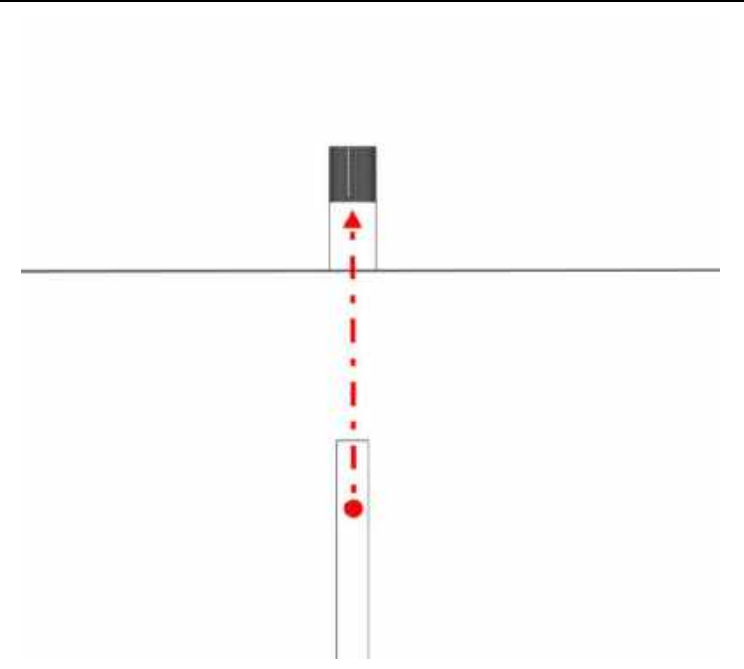
2. C 150x50



STEP 1.

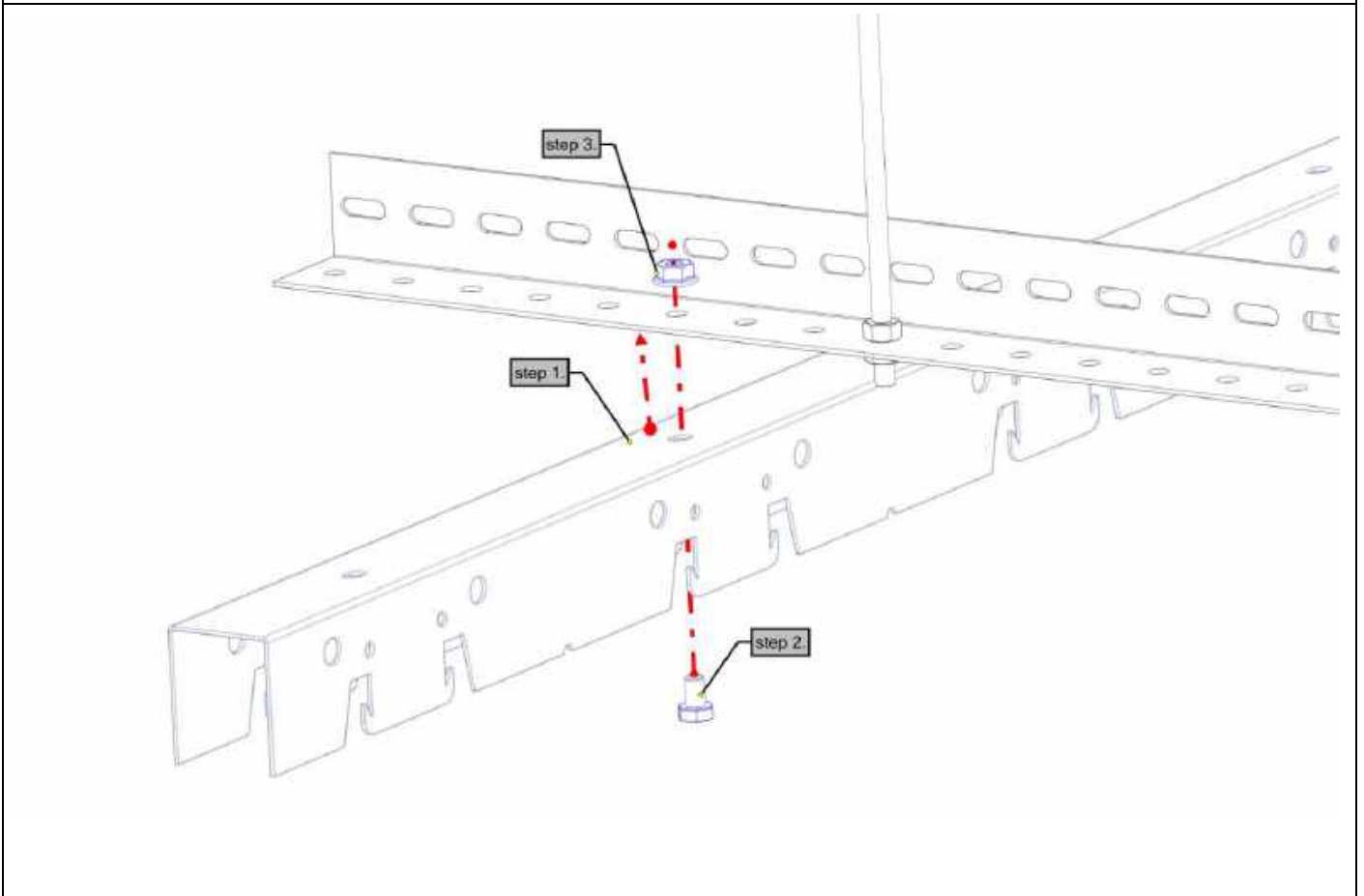
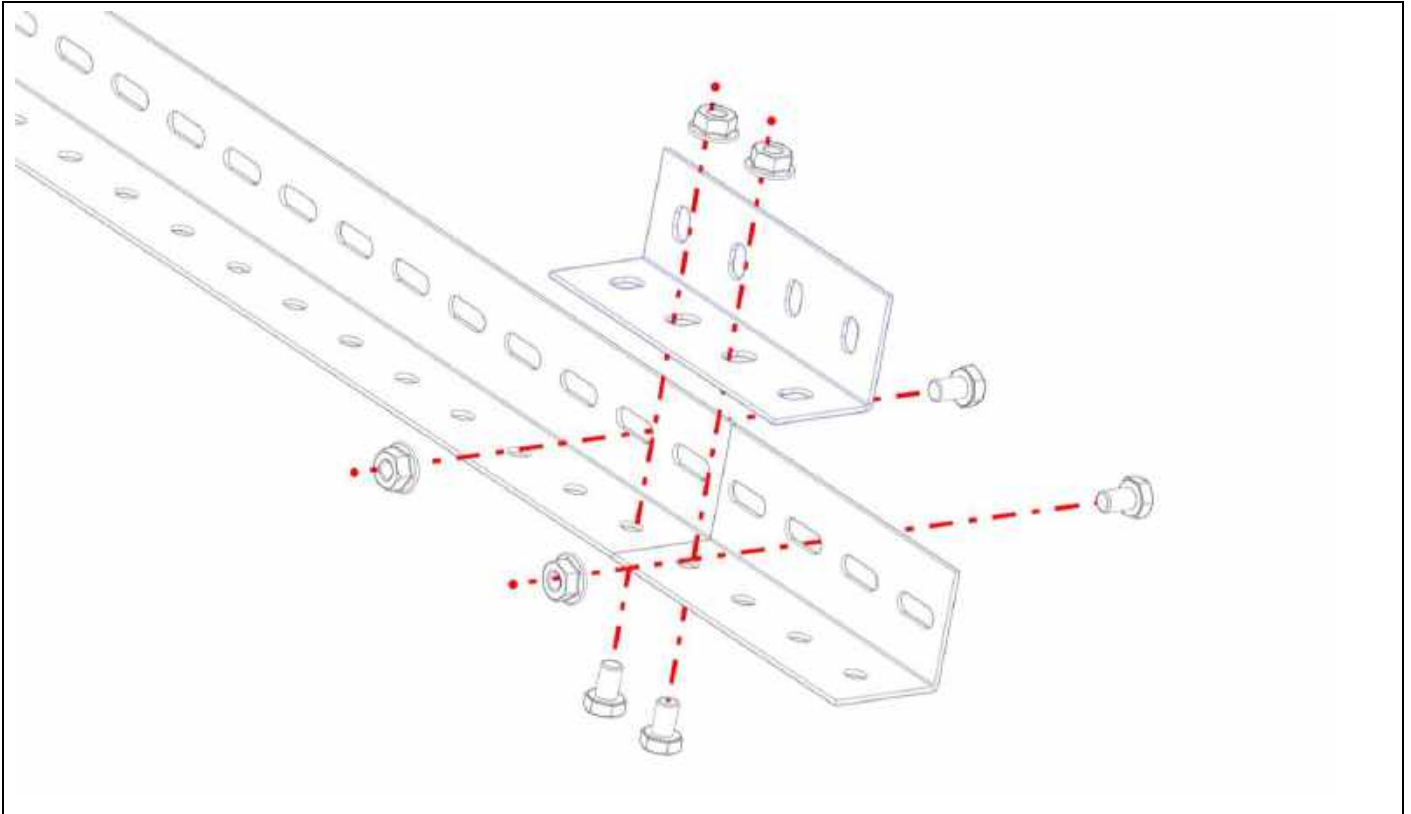


STEP 2.



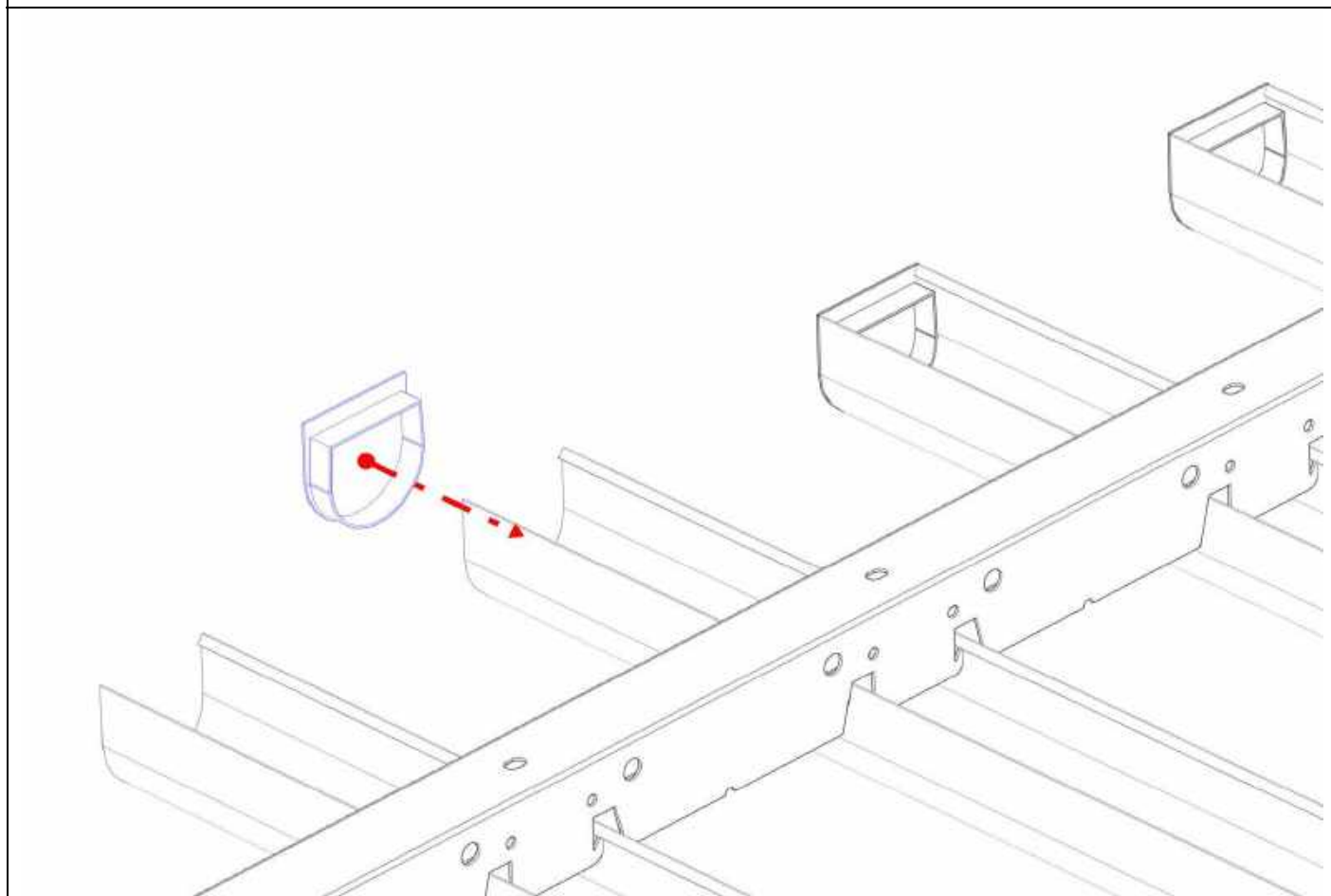
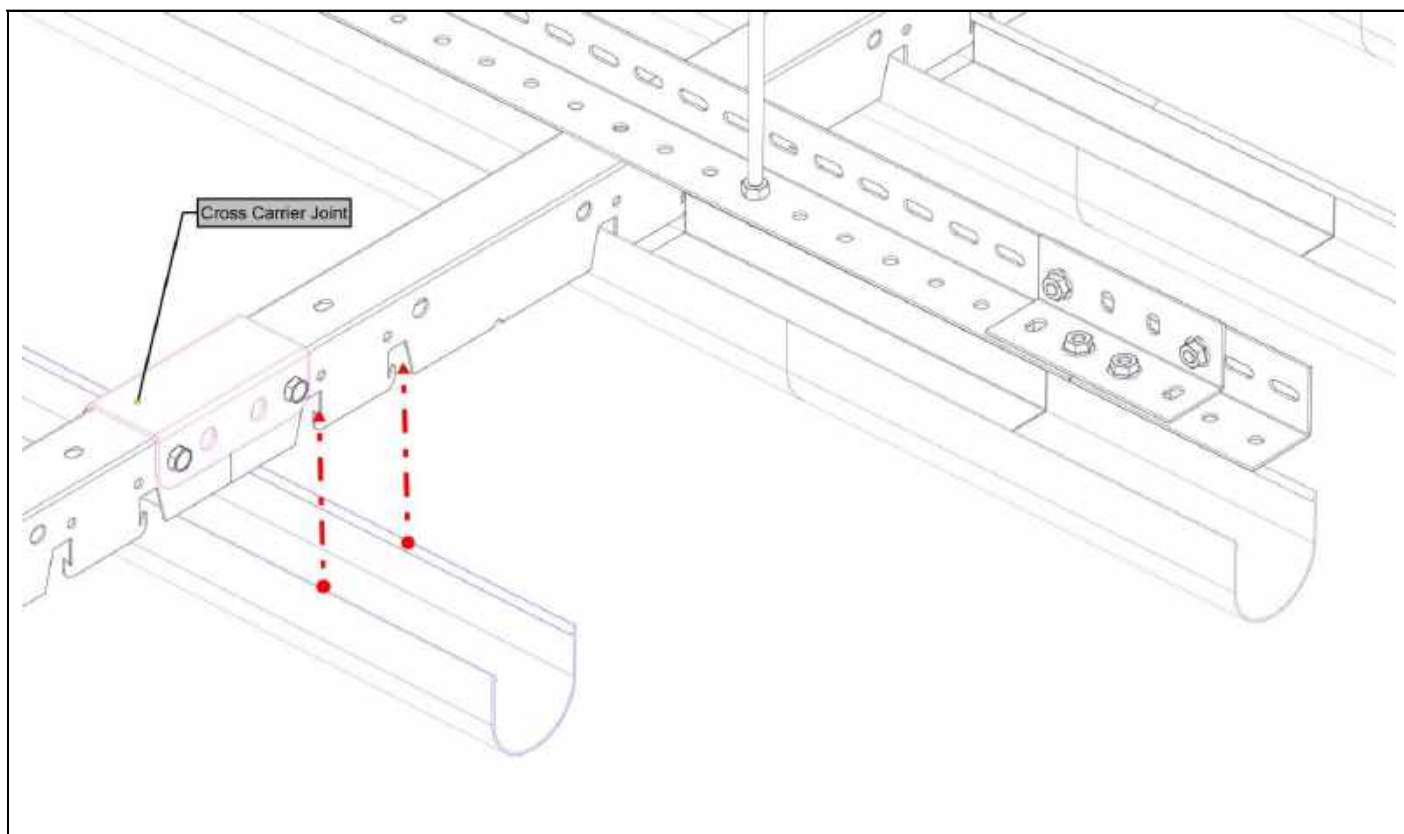
STEP 3.

STEP 4.



STEP 5.

STEP 6.



STEP 7.